

# DUAL TF DBC BLK 120/208V

35.7" x 20.2" x 21.8"  
(90.7cm x 51.3cm x 55.4cm)



 Servers and airpots sold separately

- Brews 16.3 to 18.9gal (61.7 to 71.5L) of perfect coffee per hour
- Coffee extraction controlled with pre-infusion and pulse brew, digital temperature control, and large sprayhead; coffee strength controlled with variable by-pass.
- Create coffee recipe cards with custom recipes, ad cards with messages that display on the brewer LCD, and dedicated funnels for special coffees with the BrewWISE Recipe Writer using your PC (Windows® compatible).
- Easy pulse interface allows automatic programming of pulse routine
- Preventive maintenance kit: 39641.0000
- Stores individual coffee recipes so operator can easily brew many varieties
- ThermoFresh® servers are vacuum insulated to keep coffee hot for hours.
- SplashGard® funnels deflect hot liquids away from the hand
- Energy saver mode reduces tank temperature during idle periods
- Operate any combination of BrewWISE equipment error-free with wireless brewer-grinder interface through Smart Funnel with SplashGard®

Agency:



## Specifications

**Product #:** 34600.0005

**Faucet:** Lower

**Water Access:** Plumbed

**Interface:** Wireless

**Finish:** Black

**Funnel:** Smart Funnel

## Additional Features

BUNNLINK Compatible

BrewWISE

## Electrical & Capacity

Volts	Amps	Watts	Cord Attached	Plug Type	8oz cups/hr 236ml cups/hr	Input H <sup>2</sup> O Temp.	Phase	# Wires plus Ground	Hertz
120/208	27.4	5700	No	-	266	60°F (15.5°C)	1	3	60

## Plumbing Requirements

PSI	kPa	Fitting Supplied	Water Flow Required (GPM)
20-90	138-621	3/8" Male Flare Fitting	-

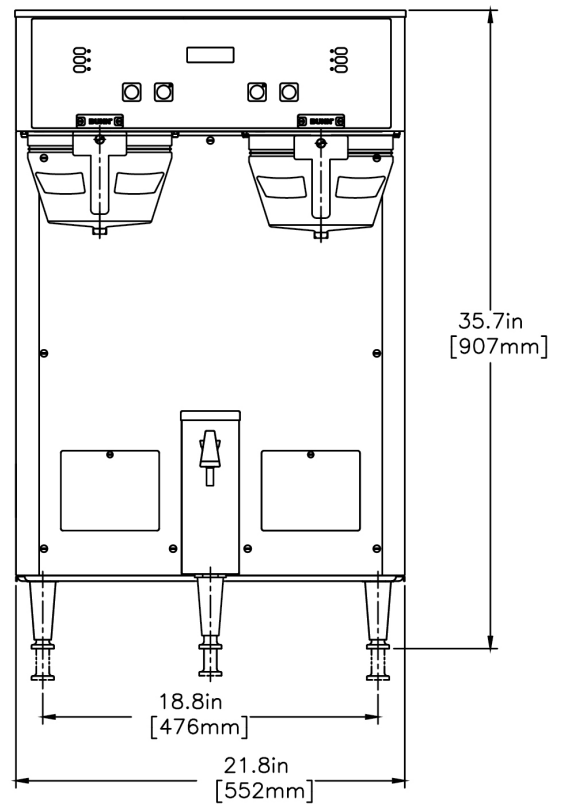
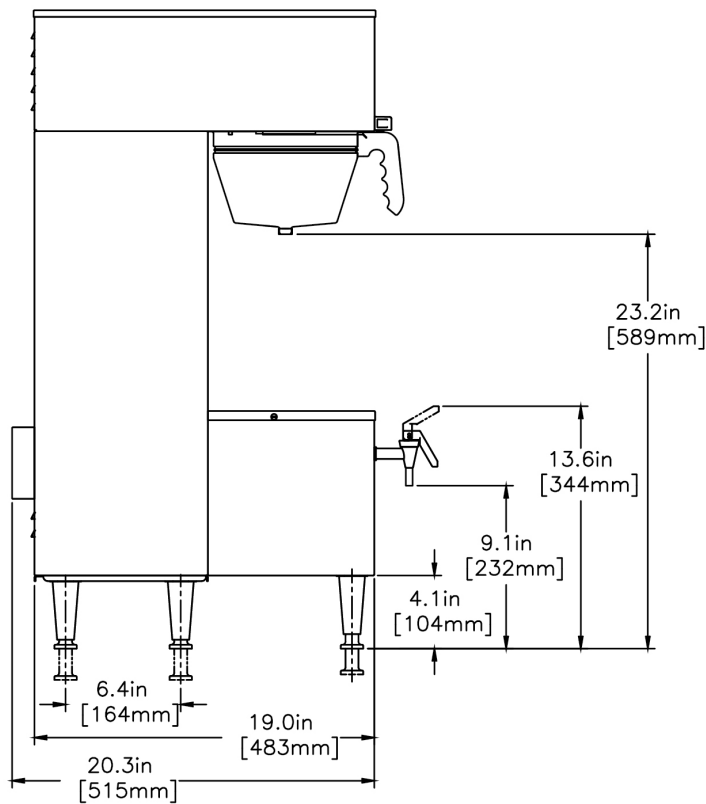
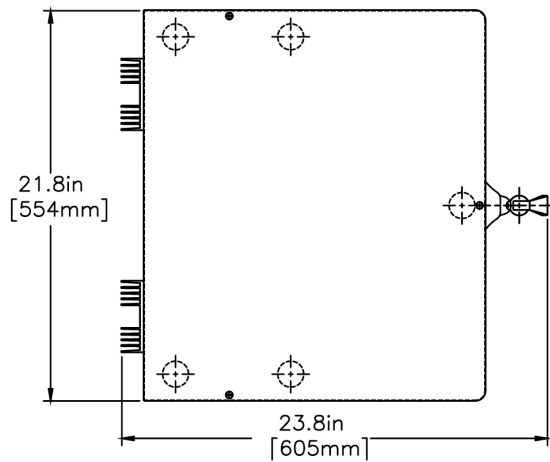
## CAD Drawings

2D	Revit	KLC
●		



BUNN® reserves the right to change specifications and product design without notice. Such revisions do not entitle the buyer to corresponding changes, improvements, additions or replacements for previously purchased equipment. For most current specifications and other info visit [bunn.com](http://bunn.com).

Created on:  
06/19/2017



Unit			Shipping					
	Width	Height	Depth	Width	Height	Depth	Weight	Volume
English	21.8 in.	35.7 in.	20.2 in.	-	-	-	90.300 lbs	13.180 ft <sup>3</sup>
Metric	55.4 cm	90.7 cm	51.3 cm	-	-	-	40.960 kgs	0.373 m <sup>3</sup>



BUNN® reserves the right to change specifications and product design without notice. Such revisions do not entitle the buyer to corresponding changes, improvements, additions or replacements for previously purchased equipment. For most current specifications and other info visit [bunn.com](http://bunn.com).

Created on:  
06/19/2017

# Related Products & Accessories: DUAL TF DBC BLK 120/208V(34600.0005)



FILTERS,GOURMET 504  
252/2 36/CL

Product #: 20138.0000



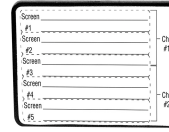
BREWWISE RECIPE  
WRITER

Product #: 34444.0000



CARD ASSY,RECIPE  
TRANSFER(BRW)

Product #: 34447.0000



CARD ASSY,  
TRANSFER-AD (BRW)

Product #: 34448.0000



MHG, 120V BLK

Product #: 35600.0022



WATER FILTER,  
EQHP-25L

Product #: 39000.0002



WATER FILTER,  
EQHP-25

Product #: 39000.0005

KIT, PM-DUAL TF

Product #: 39641.0000



BUNN® reserves the right to change specifications and product design without notice. Such revisions do not entitle the buyer to corresponding changes, improvements, additions or replacements for previously purchased equipment. For most current specifications and other info visit [bunn.com](http://bunn.com).

Created on:  
06/19/2017

# Serving & Holding Options: DUAL TF DBC BLK 120/208V(34600.0005)



TF SERVER, DSG2  
1G/3.8L

Product #:42700.0000



TF SERVER, DSG2  
1G/3.8L BLK

Product #:42700.0001



TF SERVER, DSG2 1G  
CD

Product #:42700.0003



TF SERVER, DSG2 1G  
BLK CD

Product #:42700.0004



TF SERVER, DSG2 1.5G  
SST

Product #:42750.0000



TF SERVER, DSG2 1.5G  
BLK

Product #:42750.0001



TF SERVER, DSG2 1.5G  
CD

Product #:42750.0003



TF SERVER, DSG2 1.5G  
BLK CD

Product #:42750.0010



TF SERVER, 1G/3.8L  
MECH

Product #:44000.0000



TF SERVER, 1G/3.8L  
MECH BLK

Product #:44000.0001



TF SERVER, 1.5G/5.7L  
MECH

Product #:44050.0000



TF SERVER, 1.5G/5.7L  
MECH BLK

Product #:44050.0001



BUNN® reserves the right to change specifications and product design without notice. Such revisions do not entitle the buyer to corresponding changes, improvements, additions or replacements for previously purchased equipment. For most current specifications and other info visit [bunn.com](http://bunn.com).

Created on:  
06/19/2017