

CW15-APS w/Gourmet Funnel

24.1" x 20.4" x 9.0"
(61.2cm x 51.8cm x 22.9cm)

- Models are space saving 9" wide (22.9cm)
- All stainless steel construction
- Pour-over brewer requires no plumbing – completely portable
- SplashGard® funnel deflects hot liquids away from the hand
- Accommodates 1.9 to 3L airpots
- Airpots are easily transported to remote meeting rooms, breakfast bars, etc



Servers and airpots sold separately

Agency:



Specifications

Product #: 23001.0062

Water Access: Not Plumbed

Finish: Stainless

Funnel: Gourmet Funnel

Additional Features

Electrical & Capacity

Volts	Amps	Watts	Cord Attached	Plug Type	8oz cups/hr 236ml cups/hr	Input H ² O Temp.	Phase	# Wires plus Ground	Hertz
120	11.4	1370	Yes	NEMA 5-15P	61	60°F (15.5°C)	1	2	60

Plumbing Requirements

PSI	kPa	Fitting Supplied	Water Flow Required (GPM)
-	-	-	-

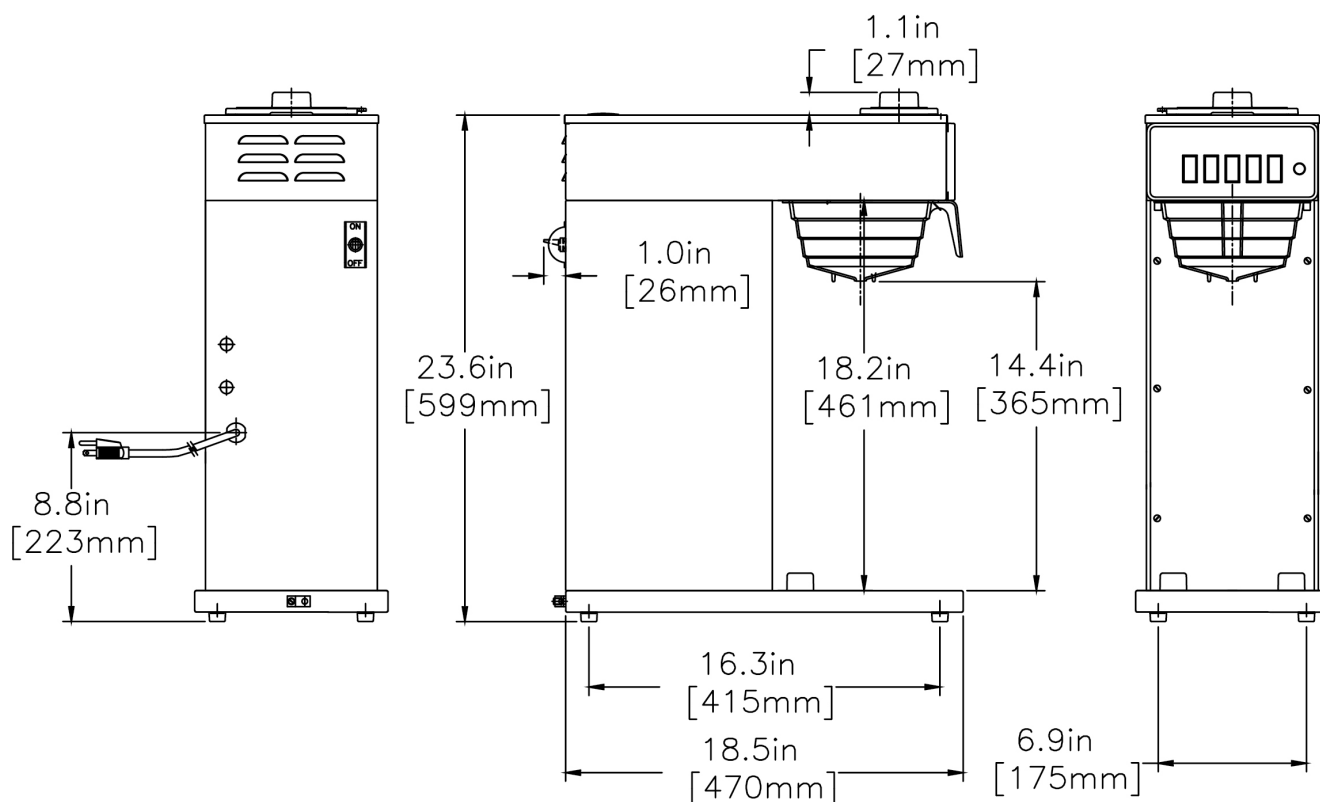
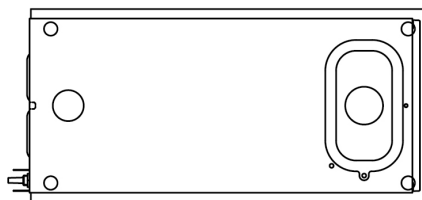
CAD Drawings

2D	Revit	KLC
●		



BUNN® reserves the right to change specifications and product design without notice. Such revisions do not entitle the buyer to corresponding changes, improvements, additions or replacements for previously purchased equipment. For most current specifications and other info visit bunn.com.

Created on:
07/19/2017



Unit			Shipping					
	Width	Height	Depth	Width	Height	Depth	Weight	Volume
English	9.0 in.	24.1 in.	20.4 in.	11.9 in.	29.0 in.	25.8 in.	34.300 lbs	4.581 ft ³
Metric	22.9 cm	61.2 cm	51.8 cm	30.2 cm	73.7 cm	65.5 cm	15.558 kgs	0.130 m ³



BUNN® reserves the right to change specifications and product design without notice. Such revisions do not entitle the buyer to corresponding changes, improvements, additions or replacements for previously purchased equipment. For most current specifications and other info visit bunn.com.

Created on:
07/19/2017

Related Products & Accessories: CW15-APS w/Gourmet Funnel(23001.0062)



FILTERS,REGULAR1M
500/2 50/CL

Product #: 20115.0000



PAPEL FILTRANTE

Product #: 20115.0000



FILTERS,C GOURMET
500/2 50/CL

Product #: 20157.0001



PAPEL FILTRANTE

Product #: 20157.0001



WATER FILTER
SYSTEM,EQ-17-TL

Product #: 30200.1000



WATER FILTER,IN LINE
ED-17-TL

Product #: 30201.1001



FUNNEL AY,W/DECAL
GRT "C"7.12

Product #: 34559.0000



PORTA FILTRO

Product #: 34559.0000



FUNNEL AY,W/DECAL
GRT "C"7.62

Product #: 34559.0001



BUNN® reserves the right to change specifications and product design without notice. Such revisions do not entitle the buyer to corresponding changes, improvements, additions or replacements for previously purchased equipment. For most current specifications and other info visit bunn.com.

Created on:
07/19/2017

Serving & Holding Options: CW15-APS w/Gourmet Funnel(23001.0062)



AIRPOT, 2.5L GL PB
SINGLE PK

Product #:13041.0001



AIRPOT, 2.5L GL PB 6/
CASE

Product #:13041.0101



AIRPOT, 2.2L GL PB
SINGLE PK

Product #:28696.0002

NO IMAGE
AVAILABLE

AIRPOT, 2.2L GL PB 6/
CASE

Product #:28696.0006



AIRPOT, 2.5L SST LA
SINGLE PK

Product #:32125.0000



TERMO

Product #:32125.0000



AIRPOT, 2.5L SST LA 6/
CASE

Product #:32125.0100



TERMO

Product #:32125.0100



AIRPOT, 2.2L GL LA 6/
CASE

Product #:32700.0000



AIRPOT, 2.2L SST LA
SINGLE PK

Product #:44311.0000

NO IMAGE
AVAILABLE

AIRPOT, 2.2L SST LA 6/
CASE

Product #:44311.0100



BUNN® reserves the right to change specifications and product design without notice. Such revisions do not entitle the buyer to corresponding changes, improvements, additions or replacements for previously purchased equipment. For most current specifications and other info visit bunn.com.

Created on:
07/19/2017