



FABRICATED ECONOMY SINKS

STAINLESS STEEL

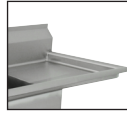
One & Two Compartments



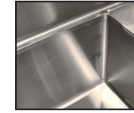
FC-1-1818
Shown



FC-2-1818-18R
Shown



Rolled Rim Edge
For Additional
Strength



Fabricated Bowls are
Welded Together at the
Seams

Item #: _____ Qty #: _____
 Model #: _____
 Project #: _____

FEATURES:

- Backsplash has tile edge for ease of installation.
- Sink bowls are 3/4" coved corner and meet NSF requirements.
- Rolled Rim Edge for additional strength.
- Sink Bowls are 14" deep for greater capacity.
- Adjustable front-to-back cross-bracing.

MATERIAL:

- 1 5/8" diameter stainless steel legs with 1" adjustable stainless steel bullet feet.
- Entire unit is 16 gauge 304 stainless steel.
- Gussets - stainless steel.

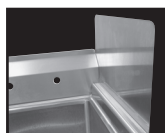
MECHANICAL:

- Supply is 1/2" IPS hot & cold.
- Faucet holes on 8" centers.
- Faucets are not included (see accessories).
- Waste drains are 1 1/2" IPS S/S basket type, located in center of sink bowl, and are included.

CONSTRUCTION:

- All TIG welded.
- Welded areas blended to match adjacent surfaces and to a satin finish.
- Gussets welded to a die-formed reinforced plate.

OPTIONAL:



- K-700**
- Removable
- Side Splashes
- Fits Left OR Right
- Side

	MODEL #	Length L	Width W	Bowl Size A & B	Drbd. Length C	# Of Drbds.	Drbd. Location	Wt
ONE COMPARTMENT	FC-1-1620	21"			N/A	0	None	49 lbs.
	FC-1-1620-18RorL	36.5"	26"	16"x20"	18"	1	Specify	65 lbs.
	FC-1-1620-18RL	52"			18"	2	R & L	80 lbs.
	FC-1-1818	23"			N/A	0	None	50 lbs.
	FC-1-1818-18RorL	38.5"			18"	1	Specify	60 lbs.
	FC-1-1818-18RL	54"	24"	18"x18"	18"	2	R & L	72 lbs.
	FC-1-1818-24RorL	45"			24"	1	Specify	66 lbs.
	FC-1-1818-24RL	66"			24"	2	R & L	85 lbs.
	FC-1-1824	23"			N/A	0	None	63 lbs.
	FC-1-1824-18RorL	38.5"			18"	1	Specify	130 lbs.
	FC-1-1824-24RorL	45"	30"	18"x24"	24"	1	Specify	139 lbs.
	FC-1-1824-18RL	54"			18"	2	R & L	170 lbs.
	FC-1-1824-24RL	66"			24"	2	R & L	175 lbs.
	FC-1-2424	29"			N/A	0	None	68 lbs.
	FC-1-2424-18RorL	44.5"			18"	1	Specify	95 lbs.
	FC-1-2424-24RorL	50.5"	30"	24"x24"	24"	1	Specify	146 lbs.
	FC-1-2424-18RL	60"			18"	2	R & L	175 lbs.
	FC-1-2424-24RL	72"			24"	2	R & L	196 lbs.
TWO COMPARTMENTS	FC-1-3024	35"			N/A	0	None	80 lbs.
	FC-1-3024-24RorL	56.5"	30"	30"x24"	24"	1	Specify	180 lbs.
	FC-1-3024-24RL	78"			24"	2	R & L	225 lbs.
	FC-1-3624	41"			N/A	0	None	200 lbs.
	FC-1-3624-24RorL	62.5"	30"	36"x24"	24"	1	Specify	225 lbs.
	FC-1-3624-24RL	84"			24"	2	R & L	250 lbs.
	FC-1-4824-24RL	96"	30"	48"x24"	24"	2	R & L	290 lbs.
	FC-2-1515	35"	21"	15"x15"	N/A	0	None	57 lbs.
	FC-2-1620	37"			N/A	0	None	60 lbs.
	FC-2-1620-18RorL	52.5"	26"	16"x20"	18"	1	Specify	62 lbs.
	FC-2-1620-18RL	68"			18"	2	R & L	101 lbs.
	FC-2-1818	41"			N/A	0	None	66 lbs.
	FC-2-1818-18RorL	56.5"			18"	1	Specify	89 lbs.
	FC-2-1818-18RL	72"	24"	18"x18"	18"	2	R & L	183 lbs.
	FC-2-1818-24RL	84"			24"	2	R & L	200 lbs.
	FC-2-1824	41"			N/A	0	None	181 lbs.
	FC-2-1824-18RorL	56.5"			18"	1	Specify	185 lbs.
	FC-2-1824-24RorL	62.5"	30"	18"x24"	24"	1	Specify	200 lbs.
FC-2-1824-18RL	72"			18"	2	R & L	210 lbs.	
FC-2-1824-24RL	84"			24"	2	R & L	230 lbs.	
FC-2-2030-18RorL	60.5"			18"	1	None	195 lbs.	
FC-2-2030-18RL	76"			18"	2	R & L	250 lbs.	
FC-2-2030-24RorL	66.5"	30"	20"x30"	24"	1	Specify	250 lbs.	
FC-2-2030-24RL	88"			24"	2	R & L	285 lbs.	
FC-2-2424	53"			N/A	0	None	181 lbs.	
FC-2-2424-18RorL	68.5"			18"	1	Specify	233 lbs.	
FC-2-2424-24RorL	74.5"	30"	24"x24"	24"	1	Specify	240 lbs.	
FC-2-2424-18RL	84"			18"	2	R & L	245 lbs.	
FC-2-2424-24RL	96"			24"	2	R & L	255 lbs.	



Customer Service Available To Assist You 1-800-645-3166 8:30 am - 7:00 pm E.S.T.

For Orders & Customer Service:

Email: customer@advancetabco.com or Fax: 631-242-6900

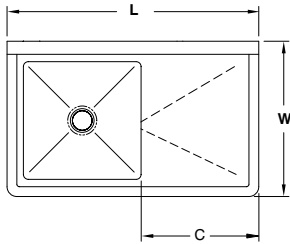
For Smart Fabrication™ Quotes:

Email: smartfab@advancetabco.com or Fax: 631-586-2933

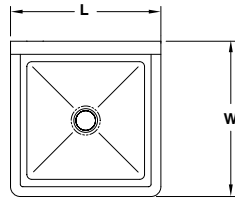
DIMENSIONS and SPECIFICATIONS

TOL Overall: ± .500"
 Interior: ± .250"

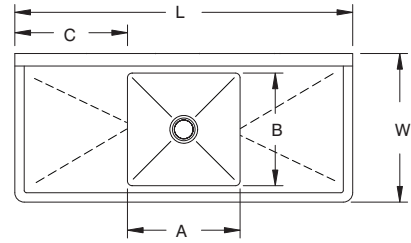
ALL DIMENSIONS ARE TYPICAL



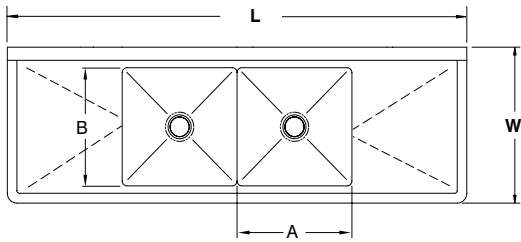
1 COMP - 1 DRBD



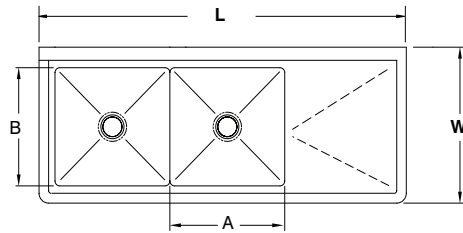
1 COMP



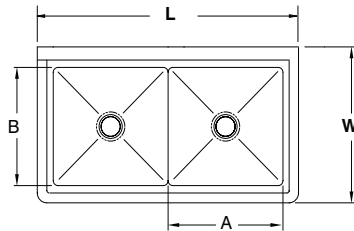
1 COMP - 2 DRBD



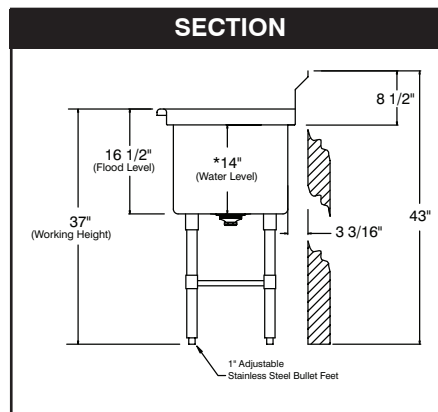
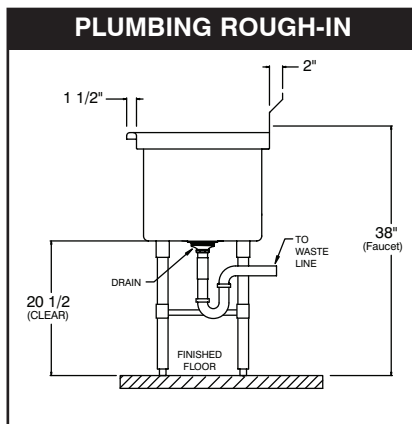
2 COMP - 2 DRBD



2 COMP - 1 DRBD



2 COMP



ACCESSORIES	Model #	Qty
DRAINS		
FAUCETS		

OPTIONAL MODIFICATIONS:

K-450	Extend Drainboard Length <i>(Drainboards over 36" Are Not Creased or Pitched.)</i>
K-470	Modify Bowl Depth

[See our full line of Modifications & Accessories on the web!](#)

