

# WIRE WALL MOUNT BRACKETS & POSTS

Item #: \_\_\_\_\_ Qty #: \_\_\_\_\_  
 Model #: \_\_\_\_\_  
 Project #: \_\_\_\_\_

## WALL MOUNTED SHELVING SYSTEM

Mounting Brackets Included • Shelves Sold Separately

### FEATURES:

Brackets feature 1/4" diameter wire for stability and strength.  
 NSF approved.

### MATERIAL:

SB & DB Series: Chrome plated steel.  
 GB & GDB Series: Green Epoxy steel.

### CONSTRUCTION:

End mount and Mid-mount Posts attach to wall with mounting hardware (Not Included).  
 Wall Shelf Brackets attach to wall with mounting hardware.  
 Unit assembles using tapered split sleeves.

### End Mount Kit

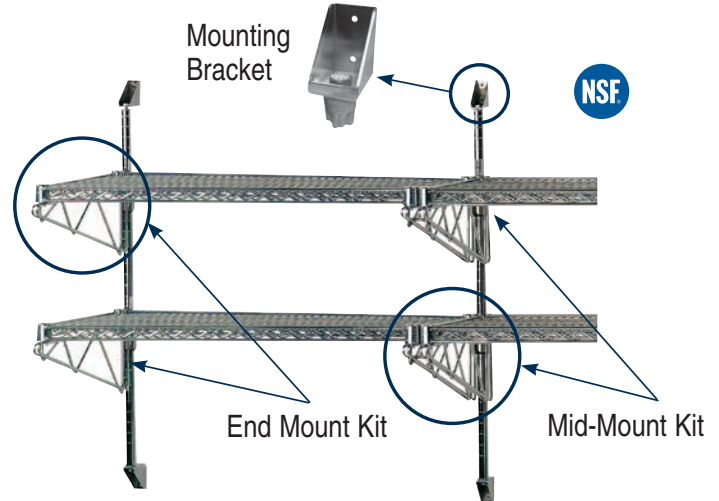
- 4 Single Shelf Brackets
- 2 - 34" Posts
- Collar Filler Caps

**AB2-14**      **AB2-18**  
 14" Wide      18" Wide

### Mid-Mount Kit For Adjoining Shelves

- 2 Double Shelf Brackets
- 1 - 34" Post
- For Adjoining Shelves

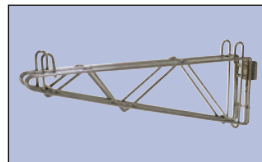
**ABM2-14**      **ABM2-18**  
 14" Wide      18" Wide



For Additional Tiers, Order Larger Posts With EC-50 Mounting Hardware For Each Post And Use Additional Wall Mounted Brackets.

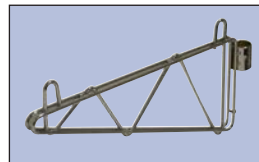
## WALL MOUNTED SHELVING SYSTEM EXPANSION KITS

- Includes Adjustable Bracket(s)



**2 Single End Mount Brackets**

**AAB-14**      **AAB-18**  
 14" Wide      18" Wide



**1 Double Mid-Mount Bracket**

**AABM-14**      **AABM-18**  
 14" Wide      18" Wide



**Mounting Hardware**

**EC-50**  
 • Includes 2 End Mounts & 1 Mid-Mount Per Post

## WIRE WALL SHELF MOUNTING BRACKETS

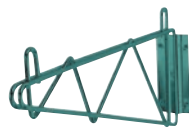
• Single Mount Includes 2 Brackets & 4 Collar Filler Caps • Double Mount Includes 1 Bracket



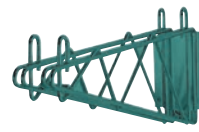
SB Series



DB Series



GB Series



GDB Series



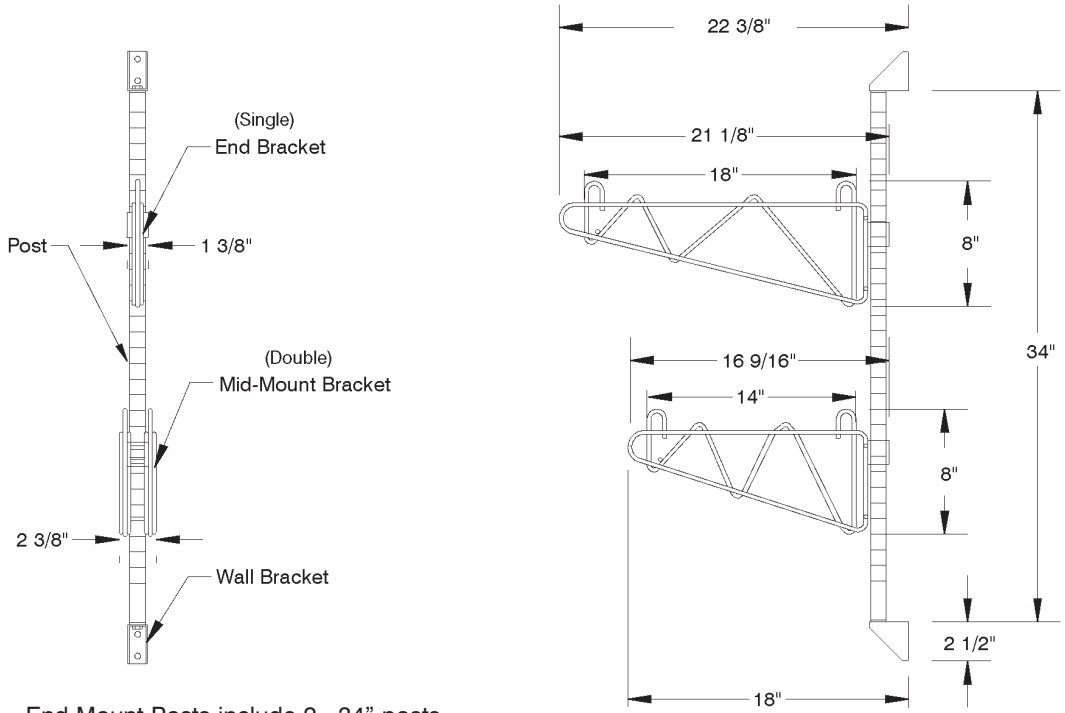
Chrome	Size	Approx. Wt.	Chrome	Size	Approx. Wt.	GREEN EPOXY	Size	Approx. Wt.	GREEN EPOXY	Size	Approx. Wt.
<b>SINGLE BRACKET</b>			<b>DOUBLE BRACKET</b>			<b>SINGLE BRACKET</b>			<b>DOUBLE BRACKET</b>		
SB-14	14"	2 lbs.	DB-14	14"	3 lbs.	GB-14	14"	2 lbs.	GDB-14	14"	3 lbs.
SB-18	18"	3 lbs.	DB-18	18"	4 lbs.	GB-18	18"	3 lbs.	GDB-18	18"	4 lbs.

# DETAILS and SPECIFICATIONS

TOL ± .500"

ALL DIMENSIONS ARE TYPICAL

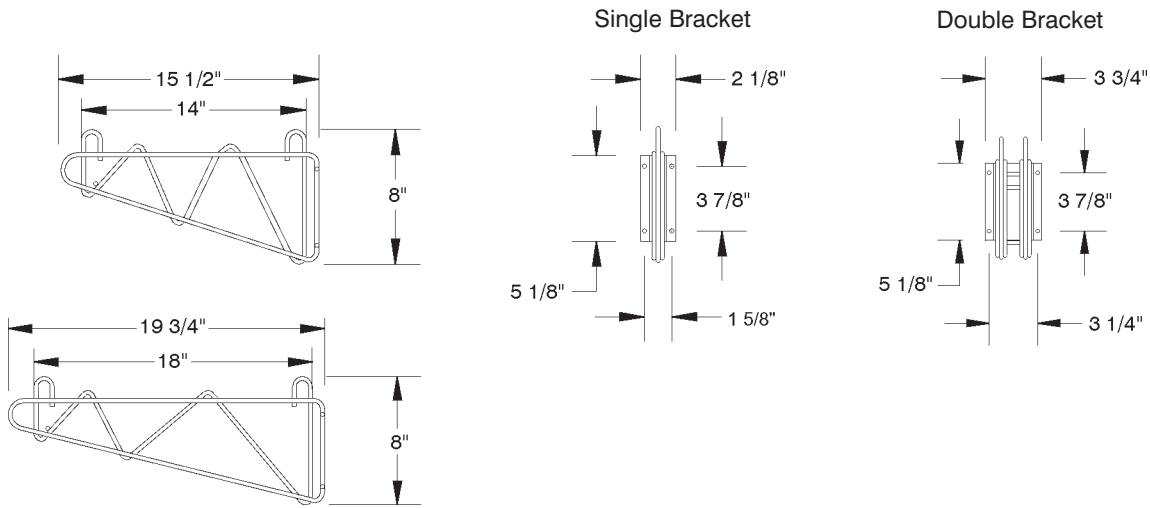
## ADJUSTABLE 2-TIER BRACKETS & POSTS



End Mount Posts include 2 - 34" posts and 4 single brackets

Mid-Mount Posts include 1 - 34" post and 2 double brackets

## WALL SHELF MOUNTING BRACKETS



ADVANCE TABCO is constantly engaged in a program of improving our products. Therefore, we reserve the right to change specifications without prior notice.