

Specifications

Description

Adcraft's stainless steel cheesemelters are perfect for quickly melting cheese, toasting nachos or sandwiches and finishing. Their small footprint and compact design make them perfect for kitchens with limited space. These units use a metal sheath heating element that will quickly warm, toast and melt to perfection. The body is insulated to prevent heat from escaping the melting chamber. The infinite switch gives you precise control over the amount of heat given off. It's multi-position food rack allows you to set the food at the perfect distance away from the heat source. A 15 minute timer is standard on the CHM-1200W model. These units are and backed by Adcraft's 1 year warranty.

Construction

- Heavy duty stainless steel construction
- Metal sheath heating element heats up quickly and distributes the heat evenly down towards the food
- Insulated body to prevent heat loss inside the melting chamber
- Built in 4 slot multi-position racking system allows for the perfect distance away from the heat source for all types of food
- Removable food grid with 6" cool-to-touch bakelite handles
- Removable stainless steel crumb tray for easy cleaning
- Non-slip rubber feet for stability

Operation

- Infinite control dial allows you to precisely control how long the heating period lasts
- 15 minute timer comes standard on the CHM-1200W model
- Indicator light lets you know when element is heating

Electrical

- CHM-1200W is 120V and has a NEMA 5-15 plug
- CHM-2400W and CHM-4350W are 240V and have a NEMA 6-20 plug
- 4' long power cord standard on all models

Certifications/Approvals

Electric Cheesemelters

Models:

- CHM-1200W
- CHM-2400W
- CHM-4350W



CHM-1200W



CHM-2400W



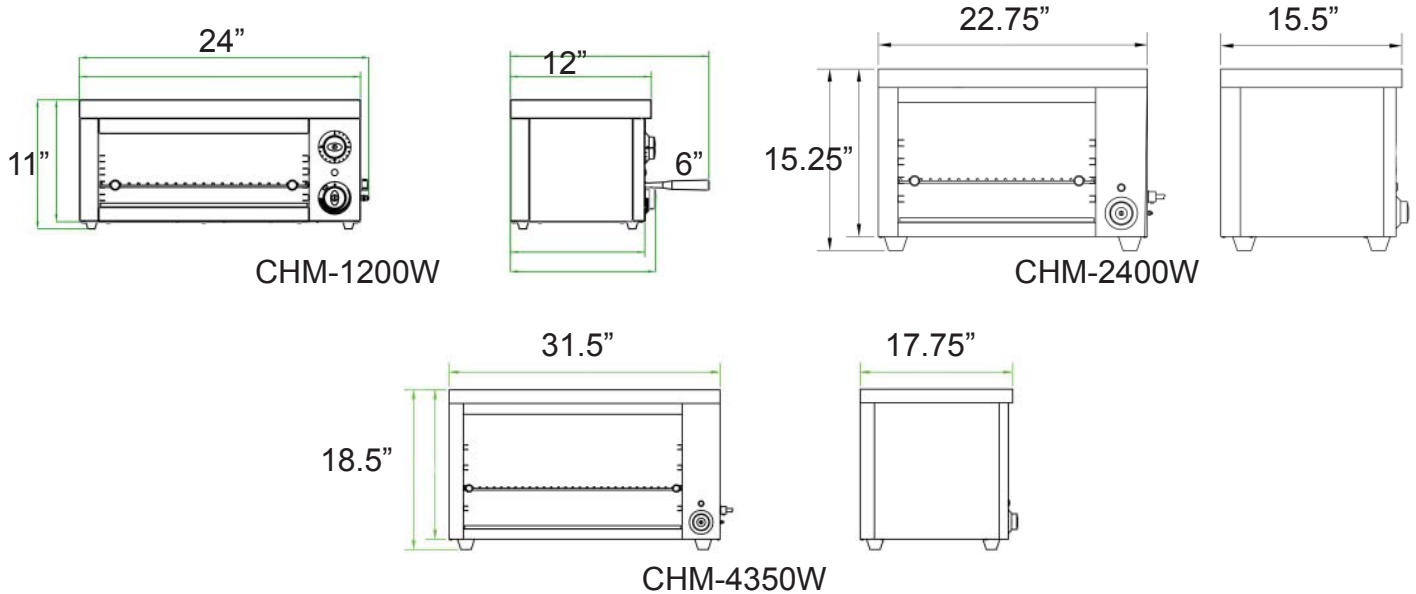
CHM-4350W

Warranty: This product is protected by Admiral Craft Equipment Corporation's 1 year limited warranty. Should your product fail under normal use it will be repaired or replaced up to one year from date of purchase.






Electric Cheesemelters - CHM-1200W, CHM-2400W, CHM-4350W

Plan View



Specifications

Item Number	Description	Volts	Wattage	Amps	NEMA Plug
CHM-1200W	24" Electric Cheesemelter	120V	1200W	10	5-15P 
CHM-2400W	23" Electric Cheesemelter	240V	2400W	10	6-20P 
CHM-4350W	32" Electric Cheesemelter	240V	4350W	18	6-20P 

Item Number	Overall Dimensions	Melting Chamber Dimensions	Food Rack Dimensions*
CHM-1200W	24"W x 12"D x 11"H	18"W x 10.5"D x 6"H	17.5" x 10"
CHM-2400W	22.75"W x 15.5"D x 15.25"H	16.75"W x 13.5"D x 10.25"H	16.75" x 13.25"
CHM-4350W	31.5"W x 17.75"D x 18.5"H	25.25"W x 16"D x 13.5"H	25.25" x 15.75"

*Does not include handles

Shipping Info

Item Number	Box Dimensions	Gross Weight	Net Weight
CHM-1200W	27" x 15" x 13"	42 lbs	37.5 lbs
CHM-2400W	24.75" x 17.25" x 16"	44 lbs	40 lbs
CHM-4350W	34.25" x 19.5" x 19.5"	67 lbs	61 lbs

For more information about this or any of our other products go to www.admiralcraft.com. These items are listed on AutoQuotes. For full explanation of warranty coverage on this product please refer to warranty page located in the owner's manual and warranty section at www.admiralcraft.com. Specifications subject to change without notice. Please confirm at time of order.

©2015 Admiral Craft Equipment Corp.