



# CATALOG OF REPLACEMENT PARTS

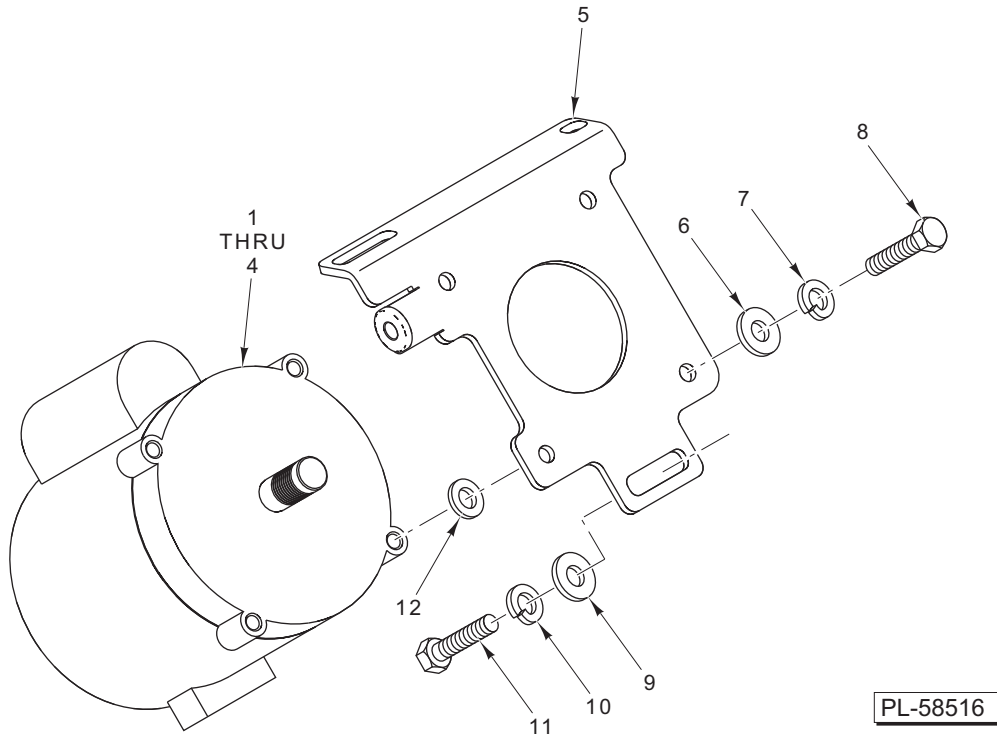


## 3000 SERIES MANUAL SLICERS

3613	ML-136143
3613N	ML-136180
3813	ML-136135
3813 (Canada)	ML-136178
3813N	ML-136182
3813N (Canada)	ML-136185
3813 (HEB)	ML-136214

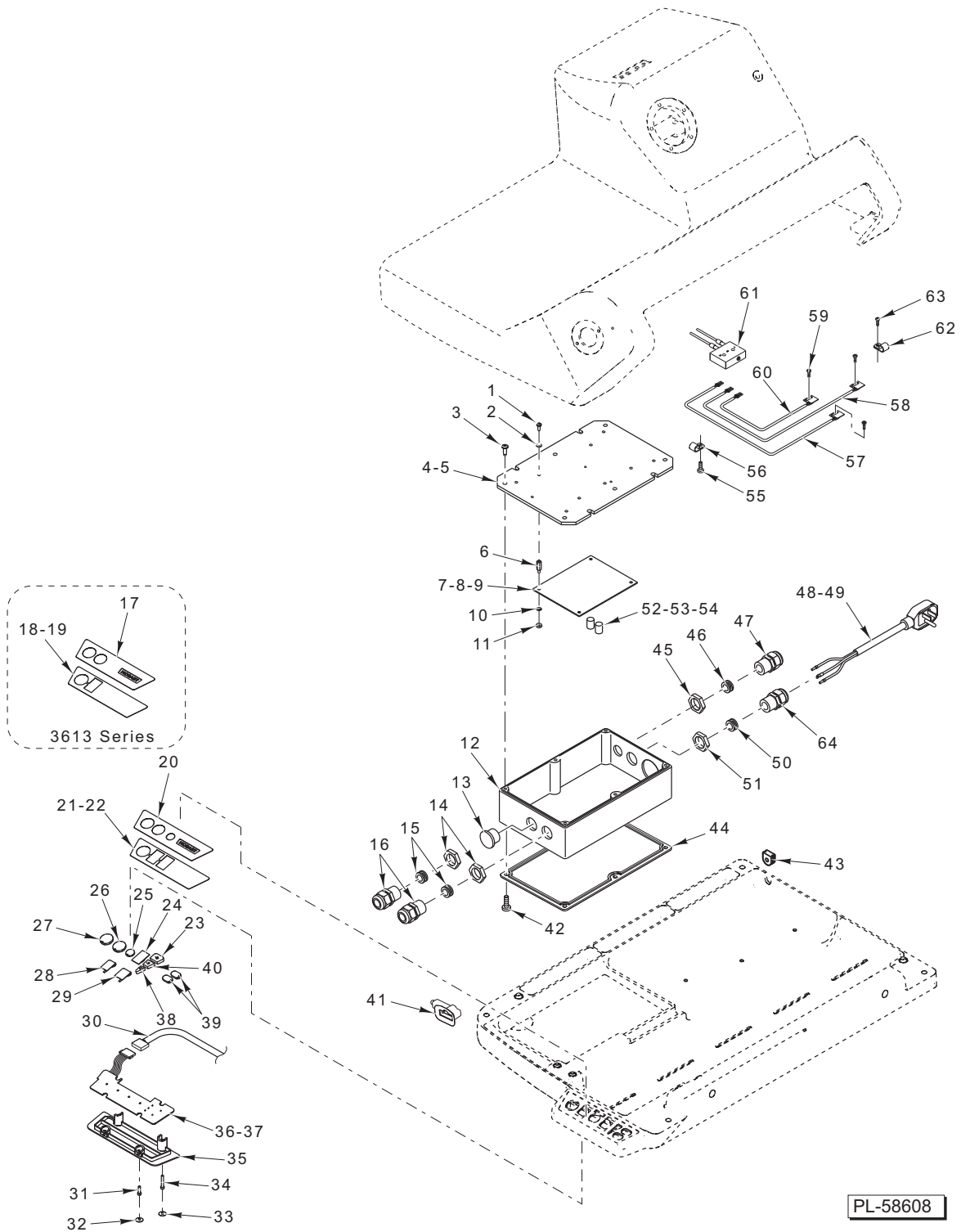
### Table Of Contents

3	DRIVE MOTOR
5	ELECTRICAL COMPONENTS
7	BASE ASSEMBLY
9	KNIFE SHAFT AND TOP COVER
11	INTERLOCK AND CARRIAGE ASSEMBLY
12	PRODUCT FEED TRAY
13	TRAY ARM ASSEMBLY
15	GAUGE PLATE UNIT
17	KNIFE SHARPENER UNIT
19	ACCESSORIES



**DRIVE MOTOR**

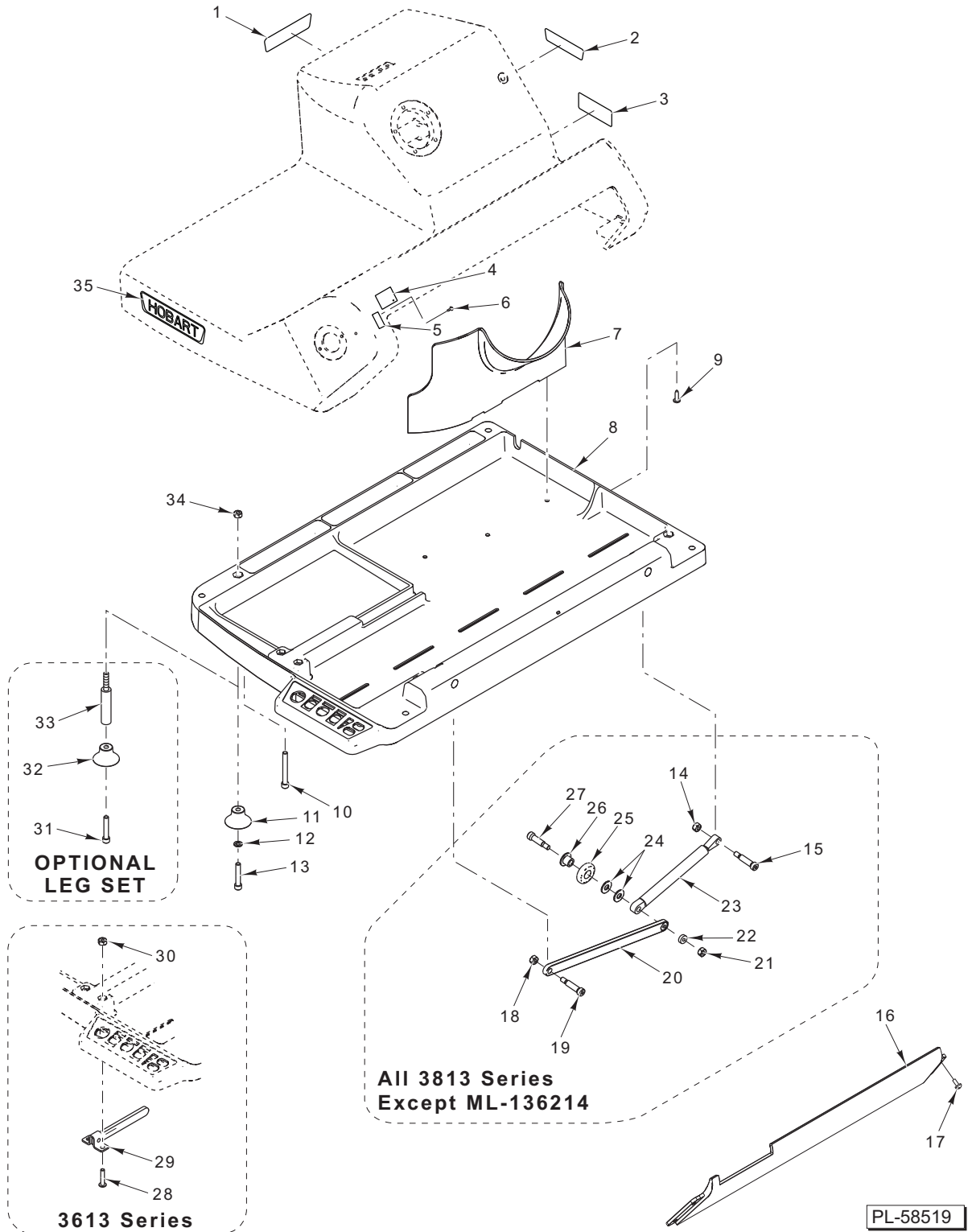
ILLUS.	PART NO.	NAME OF PART	AMT.
PL-58516			
1	00-914385-00001	Motor – Knife Drive (115 V., 60 Hz., 1Ph.).....	1
2	00-914385-00002	Motor – Knife Drive (230 V., 60 Hz., 1Ph.).....	1
3	00-914385-00003	Motor – Knife Drive (115 V., 50 Hz., 1Ph.).....	1
4	00-914385-00004	Motor – Knife Drive (230 V., 50 Hz., 1Ph.).....	1
5	00-914368	Bracket – Motor .....	1
6	WS-018-08	Washer.....	4
7	WL-004-06	Lockwasher <sup>3</sup> / <sub>8</sub> Helical.....	4
8	SC-037-73	Cap Screw <sup>3</sup> / <sub>8</sub> -16 x 1 Hex Hd. ....	4
9	WS-018-08	Washer.....	3
10	WL-004-06	Lockwasher <sup>3</sup> / <sub>8</sub> Helical.....	3
11	SC-037-73	Cap Screw <sup>3</sup> / <sub>8</sub> -16 x 1 Hex Hd. ....	3
12	00-914376	Washer – Knife Motor (Rubber).....	4



**ELECTRICAL COMPONENTS**

## ELECTRICAL COMPONENTS

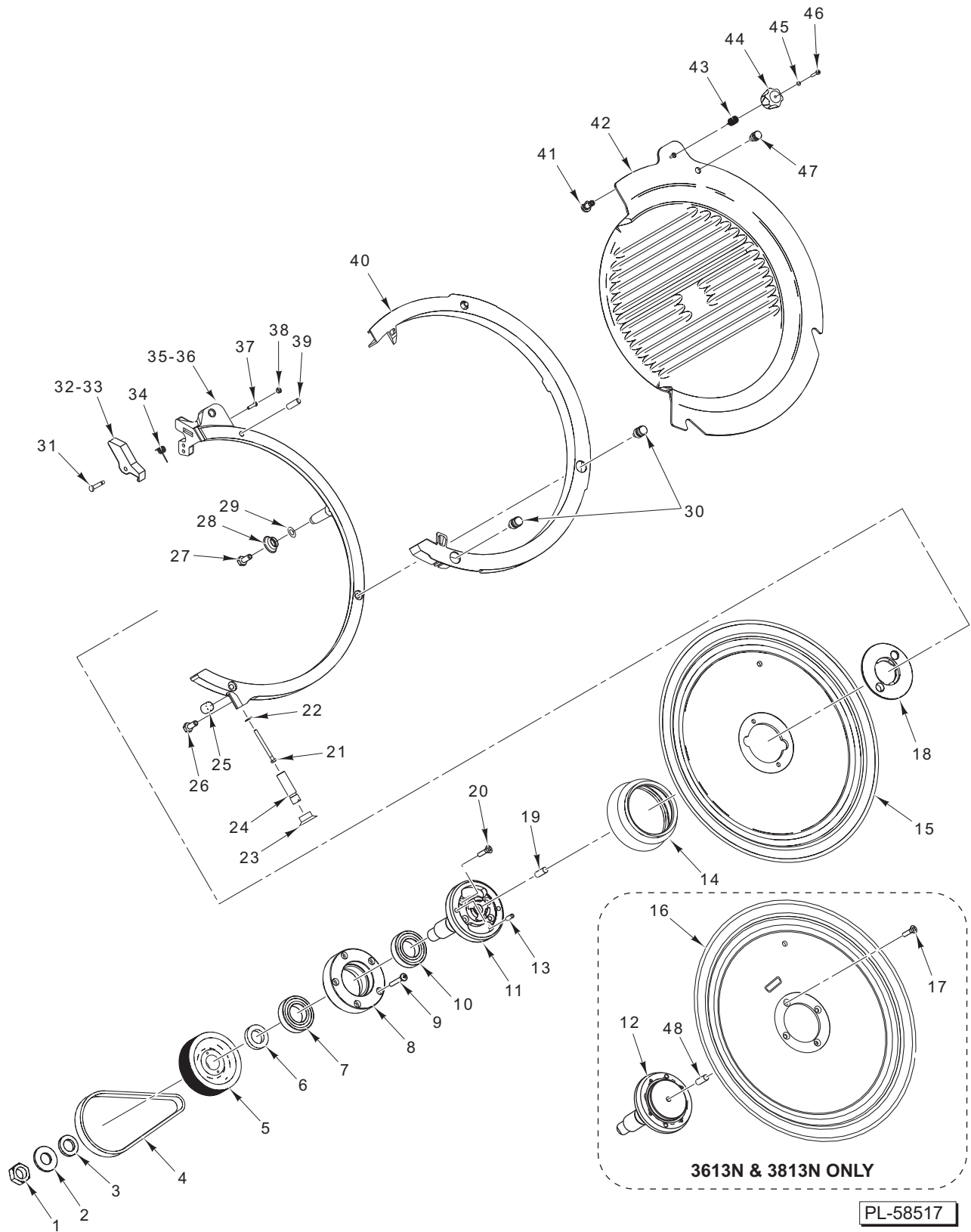
ILLUS. PL-58608	PART NO.	NAME OF PART	AMT.
1	SC-018-29	Mach. Screw 6-32 x 3/8 Phil. Pan Hd.....	4
2	WL-007-01	Lockwasher #6 External Shakeproof.....	4
3	SC-129-75	Mach. Screw 10-14 x 5/8 Phil. Pan Hd.....	6
4	00-915109-00001	Heat Sink (3813 Series).....	1
5	00-915109-00003	Heat Sink (3613 Series).....	1
6	00-478285-00002	Standoff – Hex.....	4
7	00-914700	PCB Assy. (120/230 V.) (3613 Series).....	1
8	00-914454-00001	PCB Assy. Manual Slicer (120 V.) (3813 Series).....	1
9	00-914454-00003	PCB Assy. Manual Slicer (230 V.) (3813 Series).....	1
10	WL-007-01	Lockwasher #6 External Shakeproof.....	4
11	NS-009-07	Nut 6-32 Hex.....	4
12	00-914418	Box – Electronics.....	1
13	PB-005-33	Plug – Tapered (3613 Series).....	1
14	FE-026-52	Lock Nut 1/2 Electrical.....	2
15	FE-026-53	Bushing – Electric (1/2).....	2
16	FE-026-50	Strain Relief – Electrical (1/2).....	2
17	00-914696	Overlay – Manual Graphic (3613 Series).....	1
18	00-914771	Adhesive – Manual Graphic (3613 Series).....	1
19	00-914772	Adhesive – Manual Fiber Optic (3613 Series).....	1
20	00-914523	Overlay – Manual Graphic (3813 Series).....	1
21	00-914641	Adhesive – Manual Graphic (3813 Series).....	1
22	00-914643	Adhesive – Manual Fiber Optic (3813 Series).....	1
23	00-914638-00006	Plug – Upper Speed Indicator.....	1
24	00-914638-00005	Plug – Automatic Switch.....	1
25	00-914638-00003	Plug – Actuator Sharpen Switch.....	1
26	00-914638-00002	Actuator – Off Switch.....	1
27	00-914638-00001	Actuator – On Switch.....	1
28	00-914645	Lamp – Small Fiber Optic.....	1
29	00-914646	Lamp – Large Fiber Optic (3813 Series).....	1
30	00-914370	Harness – Wiring.....	1
31	SC-120-37	Cap Screw 6-32 x 3/8 Hex Socket Hd. (SST).....	2
32	00-914760	Cap – Square Drive.....	2
33	00-914760	Cap – Square Drive.....	2
34	SC-125-23	Cap Screw 6-32 x 3/4 Hex Socket Hd. (SST).....	2
35	00-914559	Cover – Lower Bezel.....	1
36	00-915065	Keypad Assy. (3813 Series).....	1
37	00-915067	Keypad Assy. (3613 Series).....	1
38	00-914638-00008	Plug – Lower Speed Indicator.....	1
39	00-914638-00004	Plug – Actuator Speed Up / Down Switch.....	2
40	00-914638-00007	Plug – Middle Speed Indicator.....	1
41	00-914627	Boot – Control Panel Connector.....	1
42	SC-113-52	Mach. Screw 10-24 x 1/2 Phil. Truss Hd. (SST).....	4
43	00-914532	Grommet – Cord.....	1
44	00-914419	Lid – Box.....	1
45	FE-026-59	Lock Nut 3/8 Electrical.....	1
46	FE-026-58	Bushing – Electrical (3/8).....	1
47	FE-026-57	Strain Relief – Electrical (3/8).....	1
48	00-117542-00106	Cord & Plug Assy. (115 V.).....	1
49	00-117542-00111	Cord & Plug Assy. (230 V.).....	1
50	FE-026-53	Bushing – Electric (1/2).....	1
51	FE-026-52	Lock Nut 1/2 Electrical.....	1
52	00-914782-00002	Fuse (3.15 Amp.) (115/230 V.) (FS2 DC Supply).....	1
53	00-914782-00007	Fuse (8.0 Amp.) (115 V.) (FS1 Knife Motor).....	1
54	00-914782-00008	Fuse (4.0 Amp.) (230 V.) (FS1 Knife Motor).....	1
55	SD-036-39	Self-Tapping Screw 10-24 Slotted Truss Hd., Type TT.....	4
56	00-078752-00003	Clamp – Cable.....	4
57	00-914380-00002	Switch – Hall Effect Assy. Interlock (3813 Series).....	1
58	00-914380-00003	Switch – Hall Effect Assy. Cut Thru 3813 Series).....	1
59	SC-053-38	Mach. Screw 6-32 x 1/4 Slotted Truss Hd. (SST) (3813 Series).....	3
60	00-914380-00001	Switch – Hall Effect Assy. Home (3813 Series).....	1
61	00-914840	Switch Assy. – Gauge Plate Closed (3813 Series).....	1
62	00-078752-00016	Clamp – Wire (3813 Series).....	2
63	SC-053-38	Mach. Screw 6-32 x 1/4 Slotted Truss Hd. (SST) (3813 Series).....	2
64	FE-026-50	Strain Relief – Electrical (1/2).....	1



**BASE ASSEMBLY**

## BASE ASSEMBLY

ILLUS. PL-58519	PART NO.	NAME OF PART	AMT.
1	00-477739	Logo – Large Hobart.....	1
2	00-477740	Logo – Small Hobart.....	1
3	00-438131-061-2	Label – California Warning (All Except Canadian).....	1
4	00-438131-054-3	Label – Warning.....	1
5	00-873622	Label – Microban.....	1
6	00-121676-00001	Self-Tapping Screw #2 Truss Hd. ....	2
7	00-914558	Cover – Motor.....	1
8	00-914293-00002	Cover – Bottom.....	1
9	SC-129-75	Screw 10-14 x <sup>5</sup> / <sub>16</sub> Phil. Pan Hd.....	3
10	SC-130-03	Cap Screw <sup>5</sup> / <sub>16</sub> -18 x 1 <sup>3</sup> / <sub>4</sub> Hex Socket Hd.....	4
11	00-914835	Foot – Base.....	4
12	WS-017-08	Washer.....	3
13	SC-130-04	Cap Screw <sup>5</sup> / <sub>16</sub> -18 x 2 <sup>1</sup> / <sub>4</sub> Hex Socket Hd. ....	4
14	NS-015-01	Nut <sup>1</sup> / <sub>4</sub> -20 Hex (SST) (All 3813 Series Except ML-136214).....	1
15	SC-130-05	Shoulder Screw <sup>1</sup> / <sub>4</sub> -20 x <sup>7</sup> / <sub>8</sub> (All 3813 Series Except ML-136214).....	1
16	00-914622-00002	Panel – Side.....	1
17	SC-115-03	Mach. Screw 10-32 x <sup>5</sup> / <sub>16</sub> Slotted Rd. Hd. (SST).....	4
18	NS-015-01	Nut <sup>1</sup> / <sub>4</sub> -20 Hex (SST) (All 3813 Series Except ML-136214).....	1
19	SC-129-91	Shoulder Screw <sup>1</sup> / <sub>4</sub> -20 x 1 (SST) (All 3813 Series Except ML-136214).....	1
20	00-914827	Linkage – Manual Lift Bar (All 3813 Series Except ML-136214).....	1
21	NS-015-01	Nut <sup>1</sup> / <sub>4</sub> -20 Hex (SST) (All 3813 Series Except ML-136214).....	1
22	00-914804	Spacer – Manual Lift (All 3813 Series Except ML-136214).....	1
23	00-914575	Spring – Gas (All 3813 Series Except ML-136214).....	1
24	WS-029-05	Washer (SST) (All 3813 Series Except ML-136214).....	2
25	00-914828	Roller – Manual Lift (All 3813 Series Except ML-136214).....	1
26	00-914829	Bearing – Bushing (All 3813 Series Except ML-136214).....	1
27	SC-130-05	Shoulder Screw <sup>1</sup> / <sub>4</sub> -20 x <sup>7</sup> / <sub>8</sub> (All 3813 Series Except ML-136214).....	1
28	SC-125-95	Mach. Screw <sup>1</sup> / <sub>4</sub> -20 x 1 <sup>1</sup> / <sub>4</sub> Phil. Pan Hd. (SST) (3613 Series).....	2
29	00-914653	Bracket – Kickstand Assy. (3613 Series).....	1
30	NS-015-01	Nut <sup>1</sup> / <sub>4</sub> -20 Hex (SST) (3613 Series).....	1
31	SC-092-61	Cap Screw <sup>5</sup> / <sub>16</sub> -18 x 1 <sup>1</sup> / <sub>2</sub> Hex Socket Hd.....	4
32	00-914835	Foot – Base.....	4
33	00-914749	Leg – Extension (4 In.).....	4
34	NS-015-11	Nut <sup>5</sup> / <sub>16</sub> -18 Hex (SST).....	3
35	00-477739	Logo – Large Hobart.....	1
	00-914765	Leg Set (Packaged) (Incls. Items 31, 32, & 33).....	1
	00-438131-00058	Label – Warning (All Except Canadian).....	1

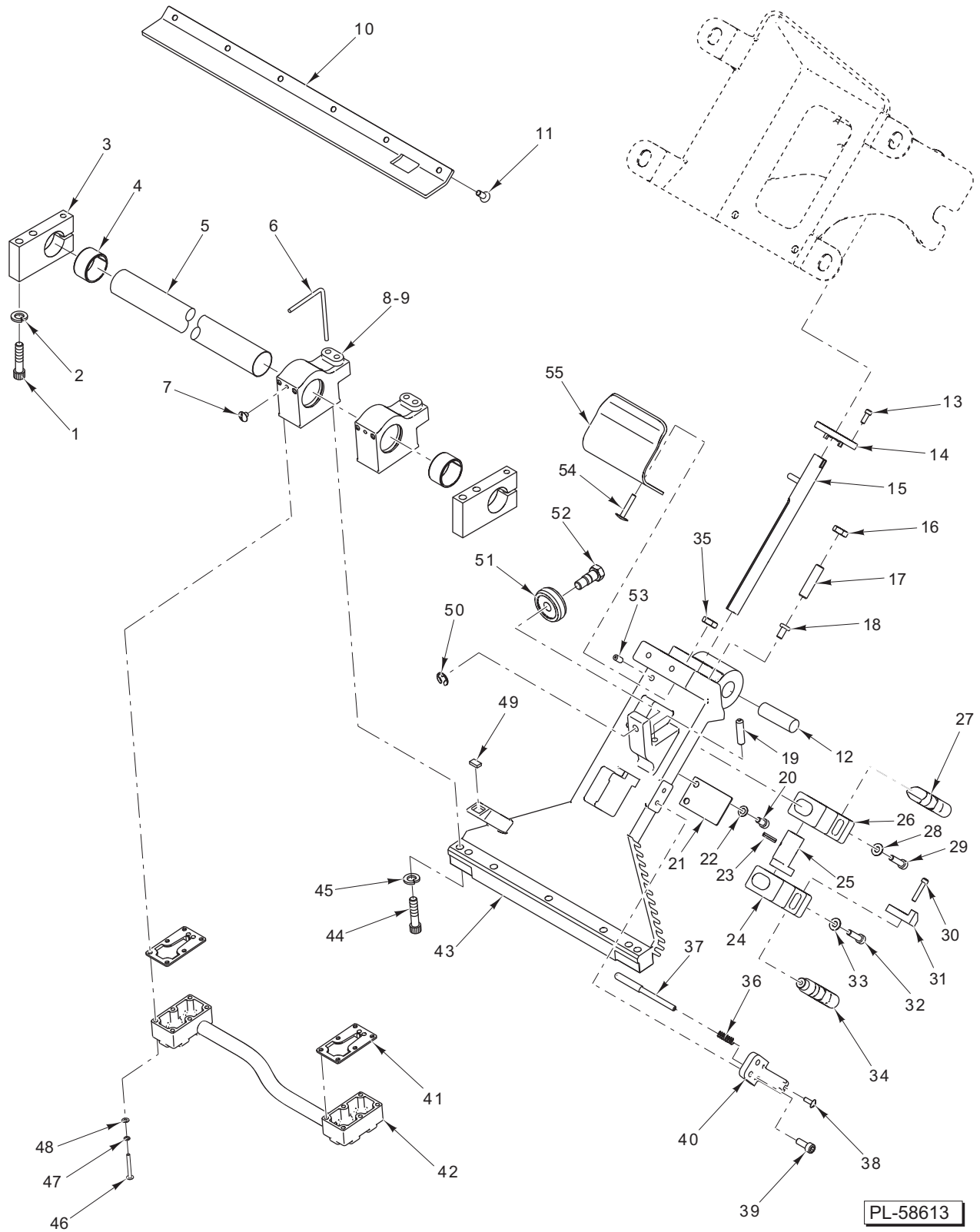


**KNIFE SHAFT AND TOP COVER**



## KNIFE SHAFT AND TOP COVER

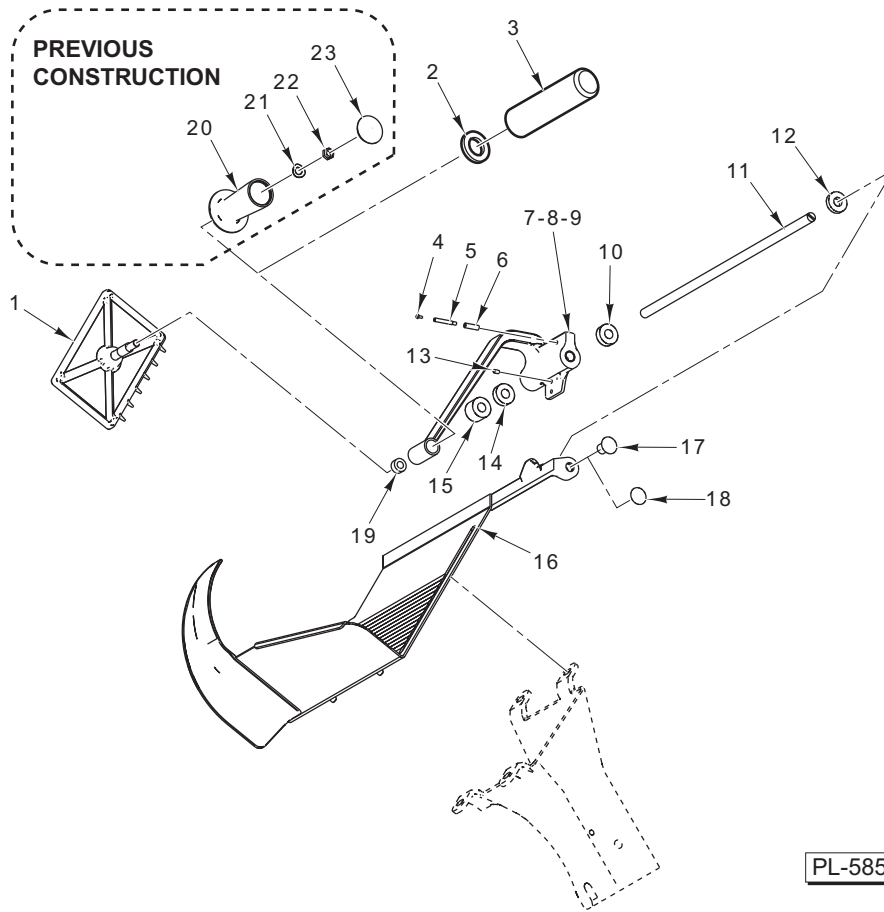
ILLUS. PL-58517	PART NO.	NAME OF PART	AMT.
1	NS-017-41	Jam Nut $\frac{5}{8}$ -18 (SST).....	1
2	WS-031-51	Washer.....	1
3	WL-019-28	Lockwasher $\frac{5}{8}$ Helical.....	1
4	00-914334	Belt – Knife Drive (Flexonic).....	1
5	00-914372	Pulley – Driven Knife Drive.....	1
6	00-914374	Spacer – Knife Drive Lock.....	1
7	BB-021-66	Bearing – Ball.....	1
8	00-914333	Hub – Slicer Base.....	1
9	SC-129-92	Mach. Screw 10-32 x $1\frac{1}{4}$ Phil. Rd. Hd. (SST).....	5
10	BB-021-66	Bearing – Ball.....	1
11	00-914663	Shaft – Knife Removal Mounting Assy. (Incls. Items 10, 13, & 20) (3613 & 3813 Series).....	1
12	00-914373	Shaft – Knife (Non-Removal) (3613N & 3813N Series).....	1
13	00-915106	Pin – Grooved ( $\frac{3}{16}$ In.).....	1
14	00-914318	Boot (Micro-Ban).....	2
15	00-914753	Knife – Slicer Pack (3613 & 3813 Series).....	1
16	00-914753-00002	Knife – Slicer Pack (3613N & 3813N Series).....	1
17	SC-114-99	Mach. Screw 10-32 x $\frac{1}{2}$ Phil. Flat Hd. (3613N & 3813N Series).....	4
18	00-914422	Plate – Knife Removal Clamp.....	1
19	00-914561	Screw – Rulon.....	1
20	SC-129-80	Mach. Screw 10-24 x $\frac{3}{4}$ Phil. Flat Hd. (SST).....	4
21	SC-129-79	Cap Screw 10-24 x $2\frac{1}{4}$ Hex Hd. (SST).....	1
22	WS-023-30	Washer.....	1
23	00-914429	Boot – Ring Guard.....	1
24	00-914428	Post – Ring Guard.....	1
25	00-914634	Magnet – Product Deflector.....	1
26	SC-130-21	Mach. Screw 6-32 x $\frac{5}{16}$ Hex Hd. (SST).....	1
27	SC-037-80	Mach. Screw 10-24 x $\frac{1}{2}$ Hex Hd. (SST).....	1
28	00-914429	Boot – Ring Guard.....	1
29	WS-023-30	Washer.....	1
30	00-914358	Pin – Tapered.....	2
31	00-914411	Pin – Lock.....	1
32	00-914409-00002	Lock – Knife Edge Protector (3813 Series).....	1
33	00-914409-00003	Lock – Knife Edge Protector (3613 Series).....	1
34	00-914425	Lock – Torsion Spring.....	1
35	00-914568-00001	Ring – Guard & Lock (Incls. Items 23, 27, 31, 32, & 34) (3813 Series).....	1
36	00-914568-00002	Ring – Guard & Lock (Incls. Items 23, 27, 31, 33, & 34) (3613 Series).....	1
37	SC-129-78	Cap Screw 8-32 x $\frac{5}{8}$ Hex Socket Hd.....	2
38	00-914430	Plug.....	2
39	PG-006-27	Pin – Grooved ( $\frac{1}{4}$ In.).....	1
40	00-914408	Cover – Ring Guard.....	1
41	00-875265	Stud – Top Cover Locking.....	1
42	00-914412-00003	Cover – Top.....	1
43	00-437994	Spring – Top Cover.....	1
44	00-875266	Knob – Top Cover Locking.....	1
45	WL-013-02	Lockwasher #4 Internal (SST).....	1
46	SC-122-53	Mach. Screw 4-40 x $\frac{5}{8}$ Phil. Pan Hd.....	1
47	00-914357	Stud – Adjustable Hub.....	1
48	00-914561	Screw – Rulon.....	1
	00-914375	Hub & Bearing Assy. (Incls. Items 7 & 8).....	1
	00-914567	Top Cover & Lock Knob Assy. (Incls. Items 41, 43, 45, & 46).....	1



**INTERLOCK AND CARRIAGE ASSEMBLY**

## INTERLOCK AND CARRIAGE ASSEMBLY

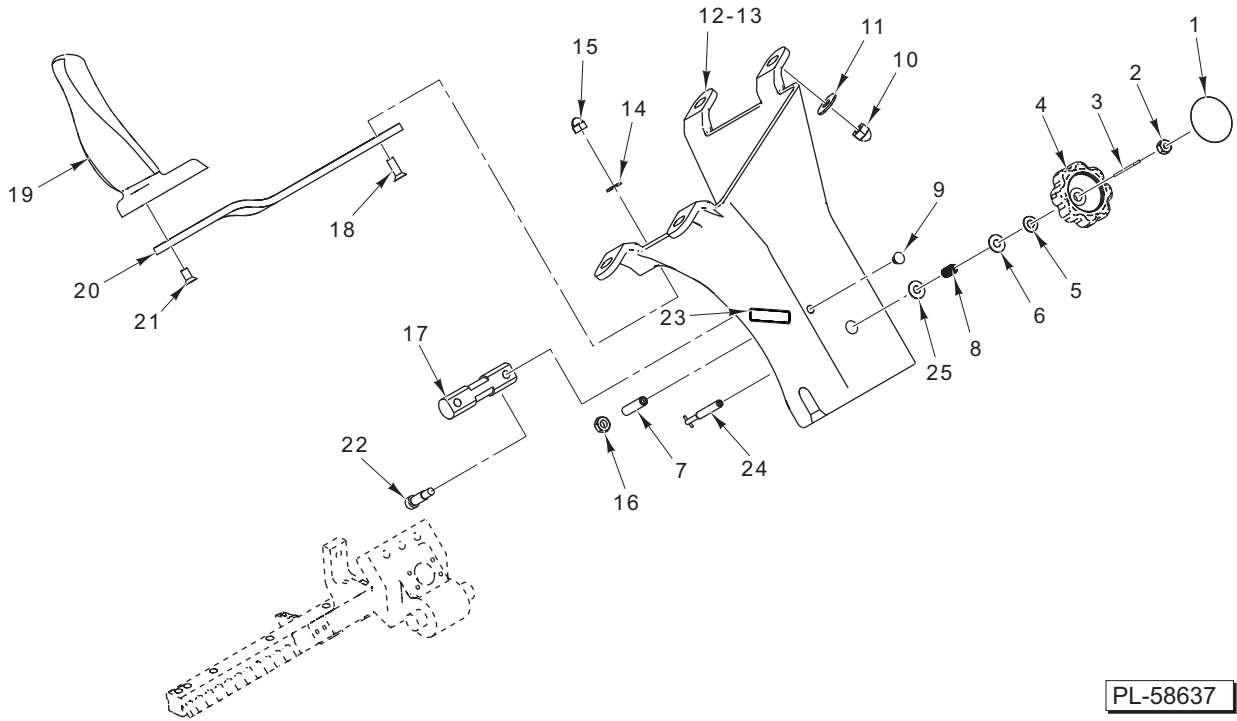
ILLUS. PL-58613	PART NO.	NAME OF PART	AMT.
1	SC-089-05	Cap Screw 1/4-20 x 1 1/2 Hex Socket Hd.	6
2	WL-003-35	Lockwasher 1/4 Helical	6
3	00-914350	Clamp – Slide Rod	2
4	00-914465	Bumper – Carriage	2
5	00-914602	Rod – Carriage Slide	1
6	00-914666	Wick	2
7	SC-112-40	Mach. Screw 8-32 x 3/16 Slotted Truss Hd. (SST)	2
8	00-914340-00002	Block – Transport Bearing	2
9	00-914545	Bushing	2
10	00-914348	Bar – Transport Roller	1
11	SD-024-16	Self-Tapping Screw 10-24 x 1/2 Phil. Flat Hd., Type TT	6
12	00-914563	Rod – Tray Arm Mounting	1
13	SC-120-37	Cap Screw 6-32 x 3/8 Hex Socket Hd. (SST)	4
14	00-914346	Plate – Interlock Key	1
15	00-914789	Shaft – Interlock (3813 Series)	1
16	NS-018-10	Nut 5/16-24 Hex (SST)	1
17	SC-129-84	Set Screw 5/16-24 x 1 1/4 Hex Hdls., Cup Pt.	1
18	00-439045	Stud – Drive	1
19	SC-129-93	Set Screw 1/4-28 x 1 Hex Hdls., Cup Pt.	2
20	SC-122-29	Cap Screw 10-32 x 3/8 Hex Socket Hd. (3813 Series)	2
21	00-914345	Spring – Interlock Shaft (3813 Series)	1
22	WL-008-13	Lockwasher #10 Internal (3813 Series)	2
23	RP-002-23	Pin – Roll (3813 Series)	1
24	00-914342-00002	Block – Interlock Shaft Bearing (3813 Series)	1
25	00-914553	Lock – Cam Interlock Shaft (3813 Series)	1
26	00-914342-00001	Block – Interlock Shaft Bearing (3813 Series)	1
27	00-914341-00001	Pin – Interlock (Transport) (3813 Series)	1
28	WS-031-19	Washer (SST) (3813 Series)	2
29	SC-059-17	Cap Screw 10-32 x 3/4 Hex Socket Hd. (3813 Series)	2
30	SC-125-23	Cap Screw 6-32 x 3/4 Hex Socket Hd. (SST) (3813 Series)	2
31	00-914810	Bracket – Plunger (3813 Series)	1
32	SC-059-17	Cap Screw 10-32 x 3/4 Hex Socket Hd. (3813 Series)	2
33	WS-031-19	Washer (SST) (3813 Series)	2
34	00-915045	Pin – Interlock (Index) (Incls. Magnet) (3813 Series)	1
35	NS-011-18	Nut 10-24 Hex	3
36	00-914554	Spring – Target (3813 Series)	1
37	00-914551	Plunger – Carriage Target (3813 Series)	1
38	SC-122-83	Mach. Screw 6-32 x 3/8 Slotted Truss Hd. (SST) (3813 Series)	1
39	SC-089-69	Cap Screw 10-32 x 1/2 Hex Socket Hd. (3813 Series)	2
40	00-914552	Mount – Carriage Target Plunger (3813 Series)	1
41	00-914570	Gasket – Lubrication Reservoir	2
42	00-914872	Reservoir Assy.	1
43	00-914637	Transport – Carriage & Rod Assy. (Incls. Item 18)	1
44	SC-129-97	Cap Screw 1/4-20 x 1 1/2 Hex Socket Hd. (Grade 8)	4
45	WL-003-35	Lockwasher 1/4 Helical	4
46	SC-129-90	Cap Screw 4-40 x 1 Phil. Truss Hd. (SST)	12
47	WL-006-43	Lockwasher #4 Helical (SST)	12
48	WS-031-61	Washer (SST)	12
49	00-914505	Magnet – Transport	1
50	RR-006-23	Retaining Ring	1
51	00-478420	Roller Transport Assy.	1
52	00-914697	Stud – Roller Bearing	1
53	SC-124-17	Set Screw 8-32 x 3/8 Hex Hdls., Flat Pt. (SST) (3813 Series)	1
54	SC-131-14	Bolt 10-24 x 1 Sq. Neck, Rd. Hd.	3
55	00-914339	Clamp – Tray Mounting	1



PL-58518

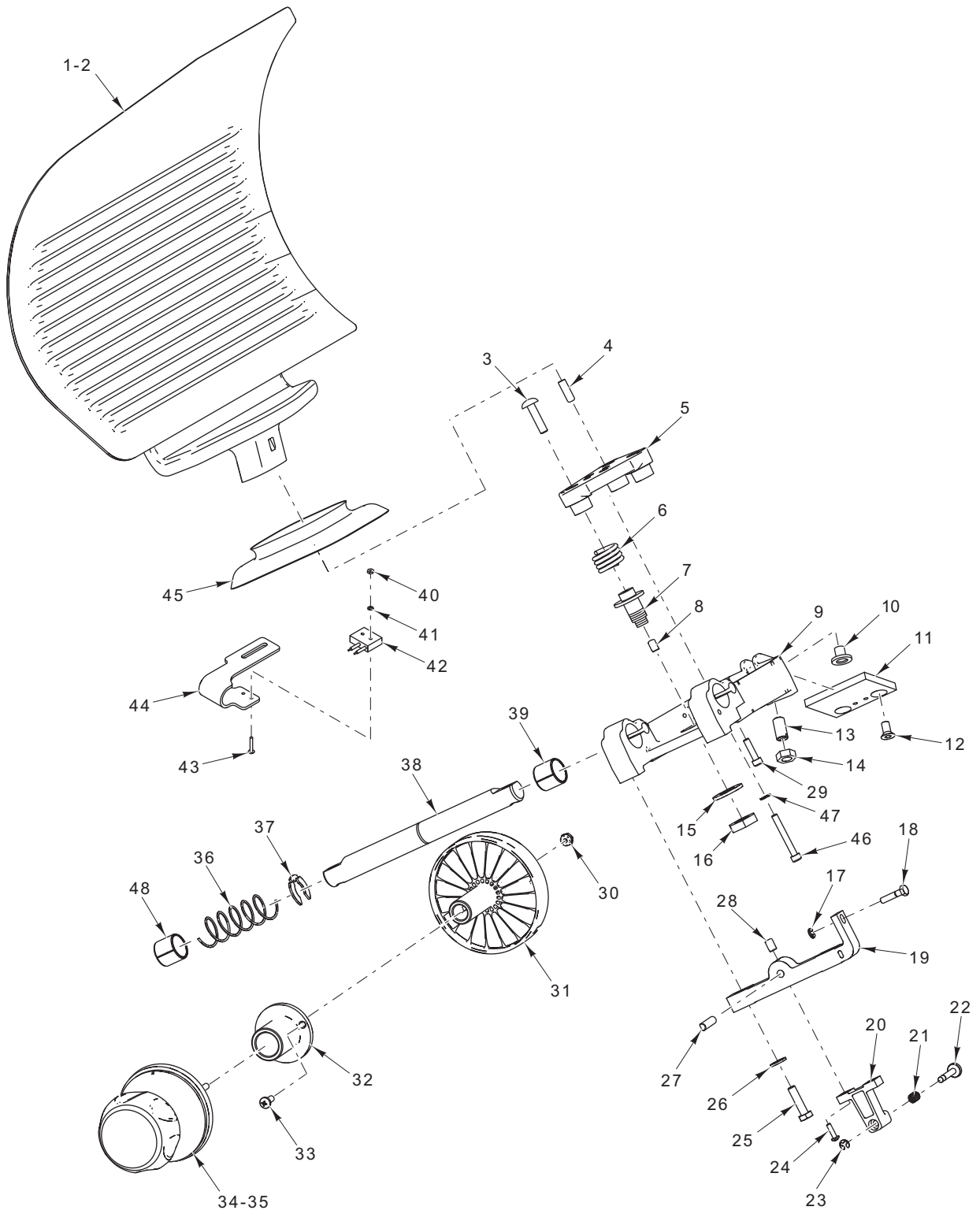
**PRODUCT FEED TRAY**

ILLUS.	PART NO.	NAME OF PART	AMT.
PL-58518			
1	00-914435	Grip – Meat .....	1
2	WS-021-21	Washer.....	1
3	00-914937	Handle – Meat Grip.....	1
4	SC-129-86	Mach. Screw 4-40 x 1/4 Slotted Pan Hd. (SST).....	1
5	00-914958	Roller – Position Post .....	1
6	00-914443	Post – Position.....	1
7	00-914536-00004	Arm – Grip (3613 Series).....	1
8	00-914536-00005	Arm – Grip (3813 Series).....	1
9	00-914689	Wick – Meat Grip Slide Rod.....	1
10	00-914452	Bearing – Grip Arm .....	1
11	00-914440	Rod – Slide .....	1
12	00-914447	Stop – Compression .....	1
13	00-914446	Pad – Stop.....	2
14	00-914452	Bearing – Grip Arm .....	1
15	00-914497	Stop – Grip Arm .....	1
16	00-914439	Tray.....	1
17	00-915027	Cap – Slide Rod End (Current Construction).....	1
18	00-914492	Cap – Slide Rod End (Previous Construction).....	1
19	00-478254	Bushing.....	2
20	00-914436	Handle – Long Grip (Previous Construction).....	1
21	SL-005-16	Spring – Loaded (SST) (Previous Construction) .....	1
22	NS-048-24	Lock Nut 3/8-16 (Previous Construction).....	1
23	00-914437	Cap – Handle (Previous Construction).....	1
	00-914948-00003	Grip – Feed Assy. (Incls. Items 1 thru 7, 9, 10, 13, & 14) (3613 Series).....	1
	00-914948-00004	Grip – Feed Assy. (Incls. Items 1 thru 6, 8, 9, 10, 13, & 14) (3813 Series).....	1



**TRAY ARM ASSEMBLY**

ILLUS.	PART NO.	NAME OF PART	AMT.
PL-58637			
1	00-914474	Cap – Interlock Knob .....	1
2	NS-018-06	Jam Nut <sup>5</sup> / <sub>16</sub> -18 Hex .....	1
3	00-914819	Key – Interlock Knob.....	1
4	00-914973-00002	Knob –Interlock.....	1
5	00-915003	Spring – Curved.....	1
6	WS-017-08	Washer (SST) .....	1
7	SC-129-84	Set Screw <sup>5</sup> / <sub>16</sub> -24 x 1 <sup>1</sup> / <sub>4</sub> Hex Hdls., Cup Pt. ....	1
8	00-914981	Spring – Tray Arm Knob.....	1
9	00-875375	Plug – Gaugeplate (Microban).....	1
10	NS-025-09	Crown Nut <sup>5</sup> / <sub>16</sub> -18 (SST).....	4
11	WS-017-01	Washer (SST) .....	4
12	00-914557-00005	Arm – Tray (3613 Series).....	1
13	00-914557-00006	Arm – Tray (3813 Series).....	1
14	WS-003-49	Washer (SST) .....	2
15	NS-025-04	Crown Nut <sup>1</sup> / <sub>4</sub> -20 (SST).....	2
16	NS-018-10	Jam Nut <sup>5</sup> / <sub>16</sub> -24 Hex (SST).....	1
17	00-914562	Bar – Clamping Tray Arm.....	1
18	SC-129-94	Cap Screw <sup>1</sup> / <sub>4</sub> -20 x <sup>3</sup> / <sub>4</sub> Hex Flat Hd. (SST) .....	2
19	00-914939	Handle – Tray .....	1
20	00-914651	Mount – Tray Handle .....	1
21	SC-110-34	Cap Screw <sup>1</sup> / <sub>4</sub> -20 x <sup>1</sup> / <sub>2</sub> Hex Flat Hd. (SST) .....	2
22	SC-121-06	Shoulder Screw <sup>1</sup> / <sub>4</sub> -20 x <sup>3</sup> / <sub>4</sub> Hex Socket Hd. (SST) .....	2
23	00-477733	Label – Home Start.....	1
24	00-915129	Key – Shaft & Pin Assy. ....	1
25	WS-017-09	Washer.....	1
	00-915005	Kit – Interlock Knob (Incls. Items 1 thru 6, 8, 24, & 25) .....	1

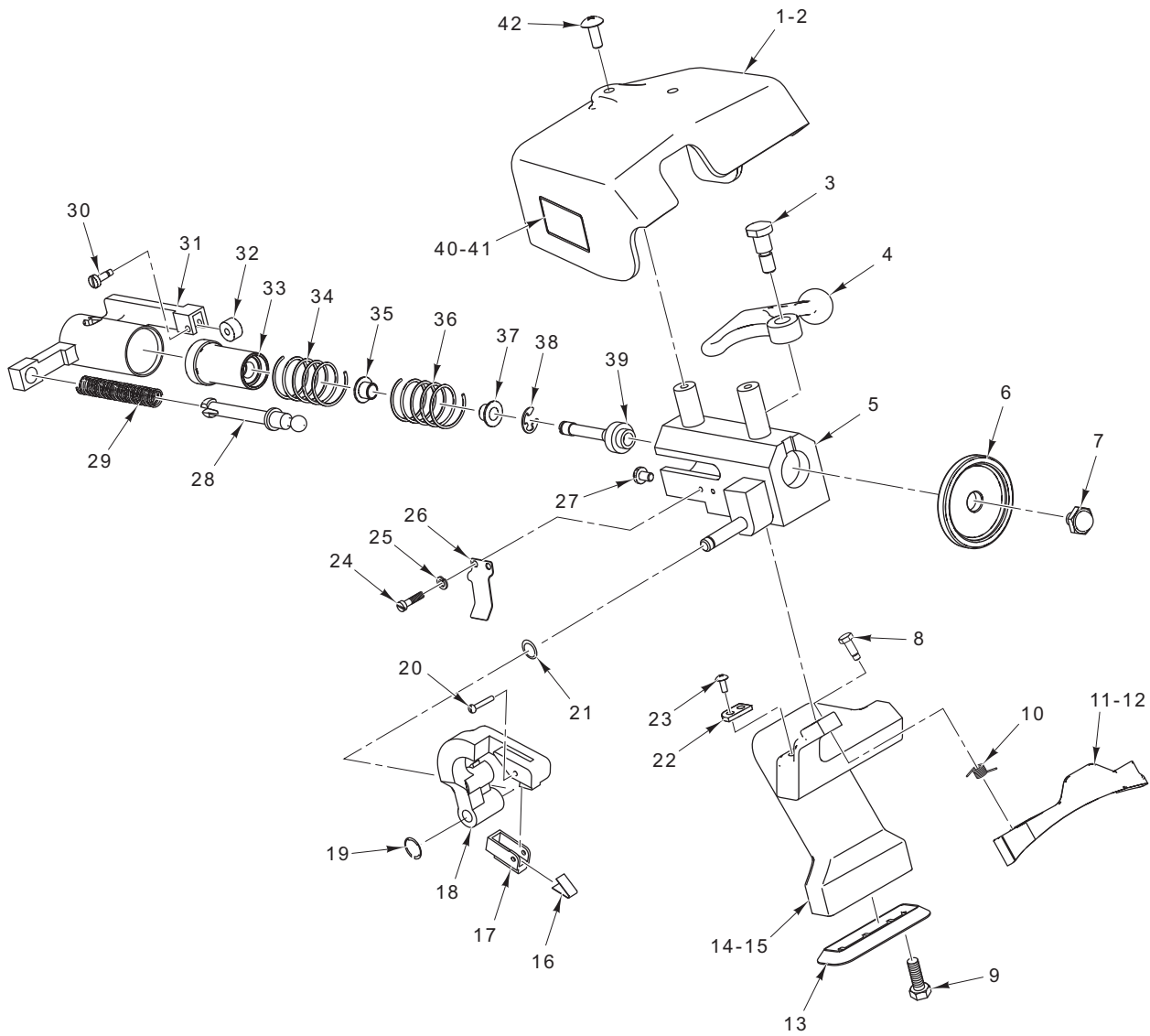


PL-58521

**GAUGE PLATE UNIT**

## GAUGE PLATE UNIT

ILLUS.	PART NO.	NAME OF PART	AMT.
PL-58521			
1	00-914320-00001	Plate – Gauge Assy. (Incls. Item 4) (3613 Series).....	1
2	00-914320-00002	Plate – Gauge Assy. (Incls. Item 4) (3813 Series).....	1
3	SC-130-46	Cap Screw $\frac{3}{8}$ -24 x $1\frac{1}{2}$ Hex Button Hd. ....	3
4	00-914909	Pin – Dowel.....	2
5	00-914300-00002	Support – Intermediate Index .....	1
6	00-914307	Spring – Gauge Plate Adjustment.....	3
7	00-914848	Bolt – Barrel $\frac{3}{4}$ -24 x $1\frac{3}{16}$ .....	3
8	SC-130-57	Set Screw $\frac{1}{4}$ -20 x $\frac{3}{4}$ Hex Hdls., Flat Pt.....	3
9	00-914299-00002	Slide – Index .....	1
10	00-914317	Bearing – Anti Rotation Plug.....	1
11	00-914306	Plate – Anti Rotation .....	1
12	SC-110-34	Cap Screw $\frac{1}{4}$ -20 x $\frac{1}{2}$ Hex Flat Hd.....	2
13	SC-123-51	Set Screw $\frac{3}{8}$ -24 x $\frac{3}{4}$ Slotted Hdls., Flat Pt. (Brass) .....	1
14	NS-017-20	Jam Nut $\frac{3}{8}$ -24 Hex.....	1
15	WS-031-62	Washer.....	3
16	NS-049-28	Nut $\frac{1}{2}$ -20 Hex .....	3
17	RR-006-03	Retaining Ring .....	1
18	00-914305	Screw – 10-32 x $\frac{9}{16}$ Fine Adjust.....	1
19	00-914303-00002	Mount – Follower .....	1
20	00-914548	Mount – Target (3813 Series) .....	1
21	00-914701	Spring – Target (3813 Series).....	1
22	00-914549	Pin – Target (3813 Series).....	1
23	RR-006-03	Retaining Ring (3813 Series).....	1
24	SC-093-24	Mach. Screw 6-32 x $\frac{1}{2}$ Phil. Pan Hd. (SST) (3813 Series).....	2
25	SC-041-02	Cap Screw $\frac{1}{4}$ -20 x 1 Hex Hd. (SST).....	2
26	WS-003-49	Washer (SST) .....	2
27	00-914304	Follower .....	1
28	SC-055-01	Set Screw 10-24 x $\frac{1}{4}$ Hex Hdls., Cup Pt.....	1
29	SC-059-17	Cap Screw 10-32 x $\frac{3}{4}$ Hex Socket Hd. (SST).....	2
30	NS-031-49	Stop Nut 10-32 Hex (SST).....	1
31	00-914309-00002	Cam – Index ( $2\frac{1}{2}$ Turns).....	1
32	00-914315	Bushing – Cam .....	1
33	SC-111-14	Mach. Screw 10-32 x $\frac{5}{8}$ Slotted Pan Hd. (SST) .....	2
34	00-915006-00001	Knob & Index Assy. (All Except ML-136214) .....	1
35	00-915006-00003	Knob & Index Assy. (ML-136214, 3813 HEB).....	1
36	00-914308	Spring – Anti Backlash .....	1
37	RR-012-25	Retaining Ring .....	1
38	00-914302	Shaft – Index.....	1
39	00-914310	Bushing – Index Slide .....	1
40	NS-046-97	Nut 2-56 Hex (3813 Series).....	2
41	WL-019-29	Lockwasher #2 Internal (SST) (3813 Series).....	2
42	00-914840	Switch Assy. – Gauge Plate Closed (3813 Series) .....	1
43	SC-122-72	Mach. Screw 2-56 x $\frac{9}{16}$ Slotted Pan Hd. (3813 Series).....	2
44	00-914618	Bracket – Index Closed Switch (3813 Series) .....	1
45	00-914833	Boot – Gauge Plate .....	1
46	SC-130-59	Cap Screw 10-24 x $1\frac{1}{2}$ Hex Socket Hd. ....	1
47	WS-023-22	Washer.....	1
48	00-914310	Bushing – Index Slide .....	1
	00-915007	Kit – Knob & Index Assy. (Incls. Items 30 & 34).....	1



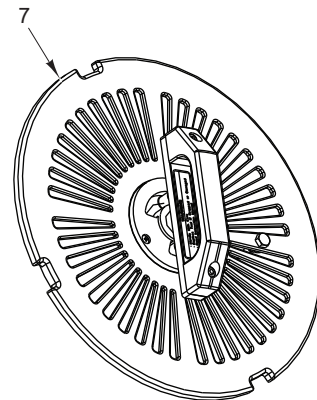
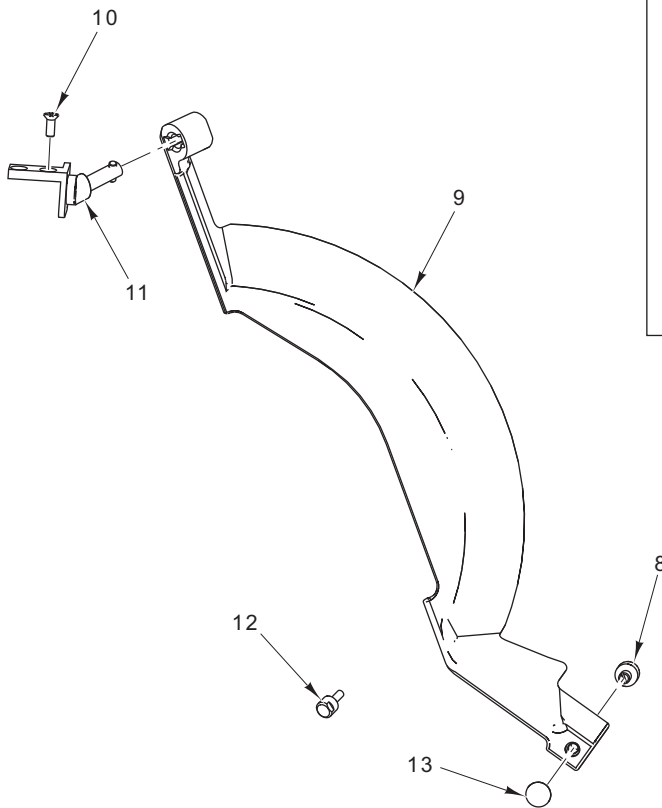
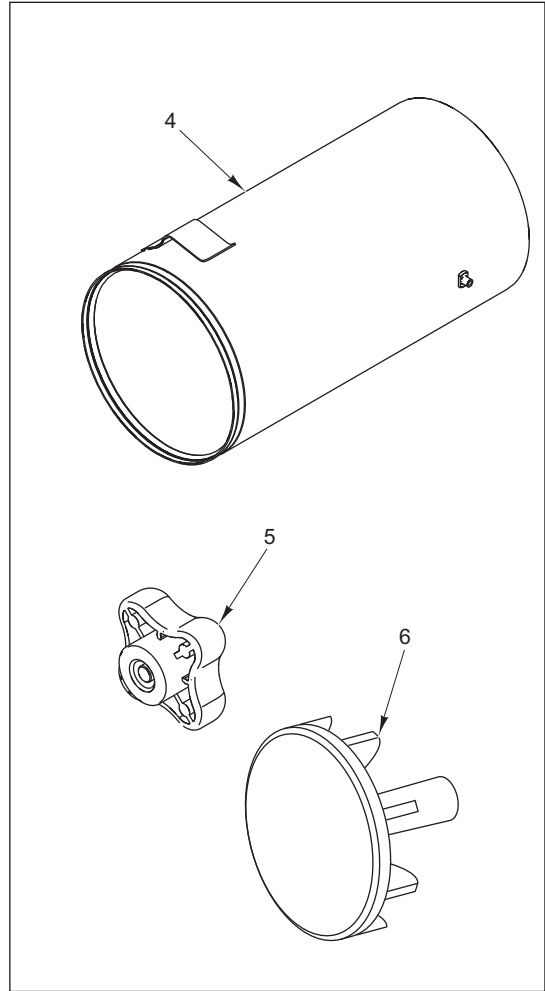
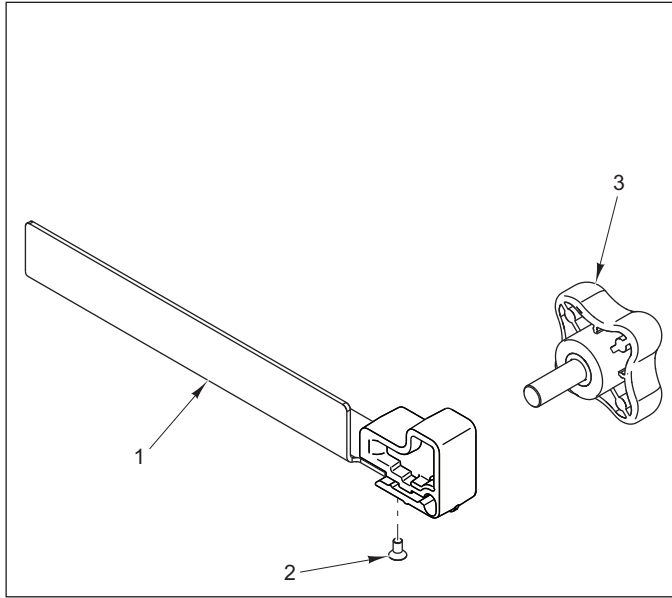
PL-58520

**KNIFE SHARPENER UNIT**



## KNIFE SHARPENER UNIT

ILLUS.	PART NO.	NAME OF PART	AMT.
PL-58520			
1	00-914682	Cover & Plate Assy. (Incls. Item 40) (All Except Canadian).....	1
2	00-914682-00002	Cover & Plate Assy. (Incls. Item 41) (Canadian).....	1
3	00-479953	Shoulder Screw 1/4-20 x 3/8.....	1
4	00-875359	Handle – Sharpener.....	1
5	00-914565	Housing & Stud Assy.....	1
6	00-914326	Wheel – Grinding.....	1
7	00-914327	Screw – Pushing Cover.....	1
8	00-914410	Pin – Knife Protector.....	1
9	SC-037-80	Cap Screw 10-24 x 1/2 Hex Hd.....	2
10	00-914424	Spring – Knife Protector.....	1
11	00-914504-00002	Protector – Knife Edge (3813 Series).....	1
12	00-914504-00003	Protector – Knife Edge (3613 Series).....	1
13	00-914426	Boot – Sharpener Mount.....	1
14	00-914592	Mount – Sharpener Assy. (3813 Series).....	1
15	00-914592-00002	Mount – Sharpener Assy. (3613 Series).....	1
16	00-914414	Spring – Truing Stone.....	1
17	00-914413	Stone – Truing.....	1
18	00-914495-00002	Arm – Truing.....	1
19	RR-006-22	Retaining Ring.....	1
20	SC-129-65	Mach. Screw 2-56 x 5/8 Slotted Pan Hd.....	1
21	00-479527	Washer – Spring Crescent Shaped.....	1
22	00-914687	Spacer – Sharpener Mount.....	1
23	SC-022-79	Mach. Screw 6-32 x 3/8 Phil. Flat Hd. (SST).....	2
24	SC-126-48	Mach. Screw 4-40 x 1/4 Phil. Pan Hd.....	2
25	WL-003-03	Lockwasher #4 Helical.....	2
26	00-914544	Spring – Sharpener Housing.....	1
27	SC-122-87	Mach. Screw 8-32 x 1/4 Slotted Pan Hd. (SST).....	1
28	00-914415	Rod – Truing Pusher.....	1
29	00-914416	Spring – Truing Arm.....	1
30	00-914329	Roller – Shoulder Screw.....	1
31	00-914323	Actuator.....	1
32	00-914328	Roller – Lock Release.....	1
33	00-873851	Plunger – Bearing Assy. (Incls. Item 37).....	1
34	00-438437	Spring – Return.....	1
35	00-873834	Bearing – Sharpener.....	1
36	00-875531	Spring – Main.....	1
37	00-873834	Bearing – Sharpener.....	1
38	RR-006-22	Retaining Ring.....	1
39	00-873848	Shaft – Grinding Wheel.....	1
40	00-914681	Label – Instruction (All Except Canadian).....	1
41	00-914871	Label – Instruction (Canadian).....	1
42	SC-129-63	Mach. Screw 10-24 x 1/2 Phil. Truss Hd.....	2
	00-914569	Mount – Sharpener Assy. (Incls. Items 8, 10, 11, 13, 14, 22, & 23) (3813 Series).....	1
	00-914569-00002	Mount – Sharpener Assy. (Incls. Items 8, 10, 12, 13, 15, 22, & 23) (3613 Series).....	1



PL-58638

**ACCESSORIES**

## ACCESSORIES

ILLUS.	PART NO.	NAME OF PART	AMT.
PL-58638			
1	00-914763	Fence Assy. – Vegetable (Packaged) (Incls. Item 3) .....	1
2	SC-130-51	Cap Screw 10-32 x 3/8 Hex Flat Hd. (SST).....	2
3	00-914671	Knob – Fence .....	1
4	00-914664	Chute .....	1
5	00-914673	Knob – Chute .....	1
6	00-075945	Pusher Assy. – Plate .....	1
7	00-914758	Knife Removal Tool Assy. (Packaged) (ML-136135, ML-136143, ML-136178, & ML-136214)..	1
8	00-914587	Foot – Adjustable Deflector (3813 Series) .....	1
9	00-914585-00002	Deflector – Product (3813 Series) .....	1
10	SC-022-79	Mach. Screw 6-32 x 3/8 Phil. Flat Hd. (SST) (3813 Series).....	2
11	00-914649	Mount – Product Deflector (3813 Series) .....	1
12	00-914596	Stud – Product Deflector (3813 Series) .....	1
13	00-914597	Cap – Product Deflector (3813 Series).....	1
	00-914795	Food Chute Assy. (Packaged) (Incls. Items 4, 5, & 6) .....	1
	00-914702	Product Deflector Kit (Incls. Items 8 thru 13) (3813 Series) .....	1

