



CATALOG OF REPLACEMENT PARTS

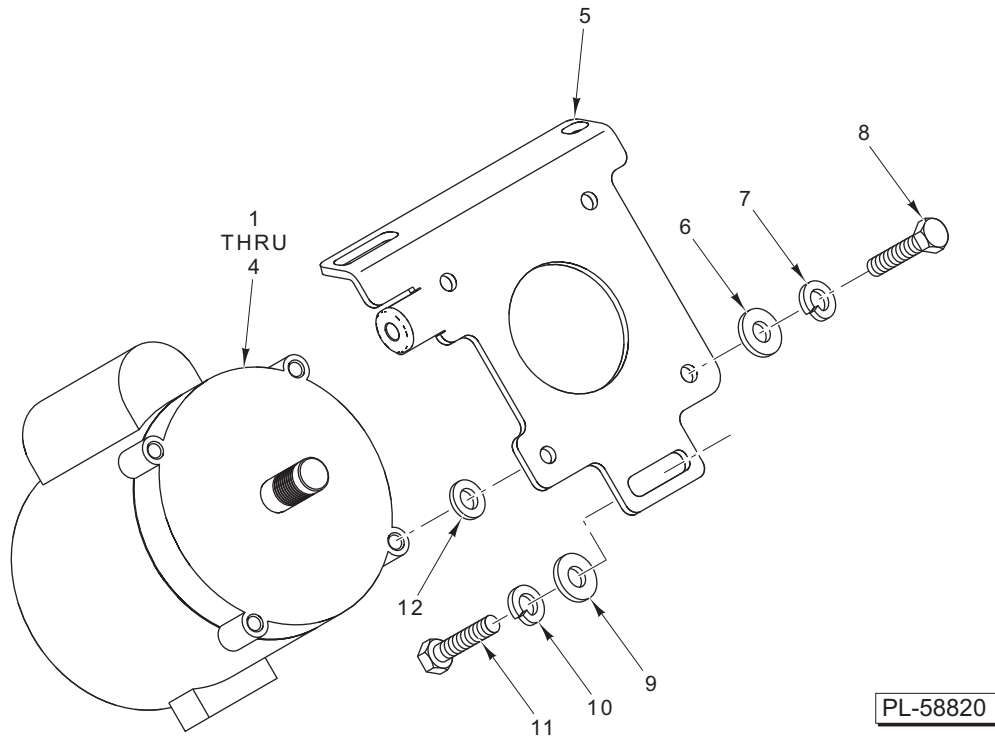


3000 SERIES AUTOMATIC SLICERS

3713	ML-136144
3713 (Canada)	ML-136177
3713N	ML-136181
3713N (Canada)	ML-136184
3913	ML-136145
3913 (Canada)	ML-136179
3913N	ML-136183
3913N (Canada)	ML-136186
3913 (HEB)	ML-136215

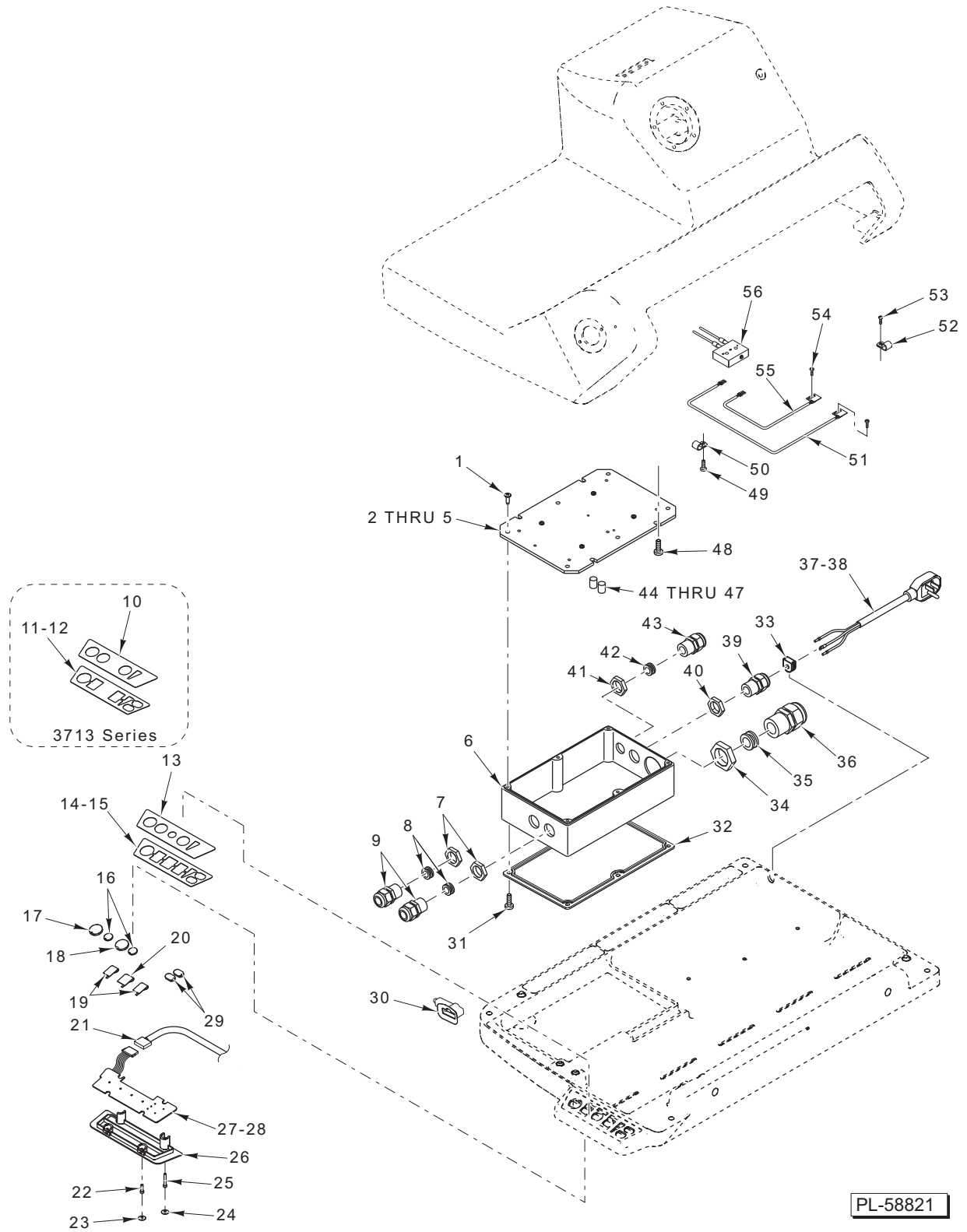
Table Of Contents

3	DRIVE MOTOR
5	ELECTRICAL COMPONENTS
7	BASE ASSEMBLY
9	KNIFE SHAFT AND TOP COVER
11	INTERLOCK AND CARRIAGE ASSEMBLY
12	PRODUCT FEED TRAY
13	TRAY ARM ASSEMBLY
15	GAUGE PLATE UNIT
17	KNIFE SHARPENER UNIT
19	ACCESSORIES



DRIVE MOTOR

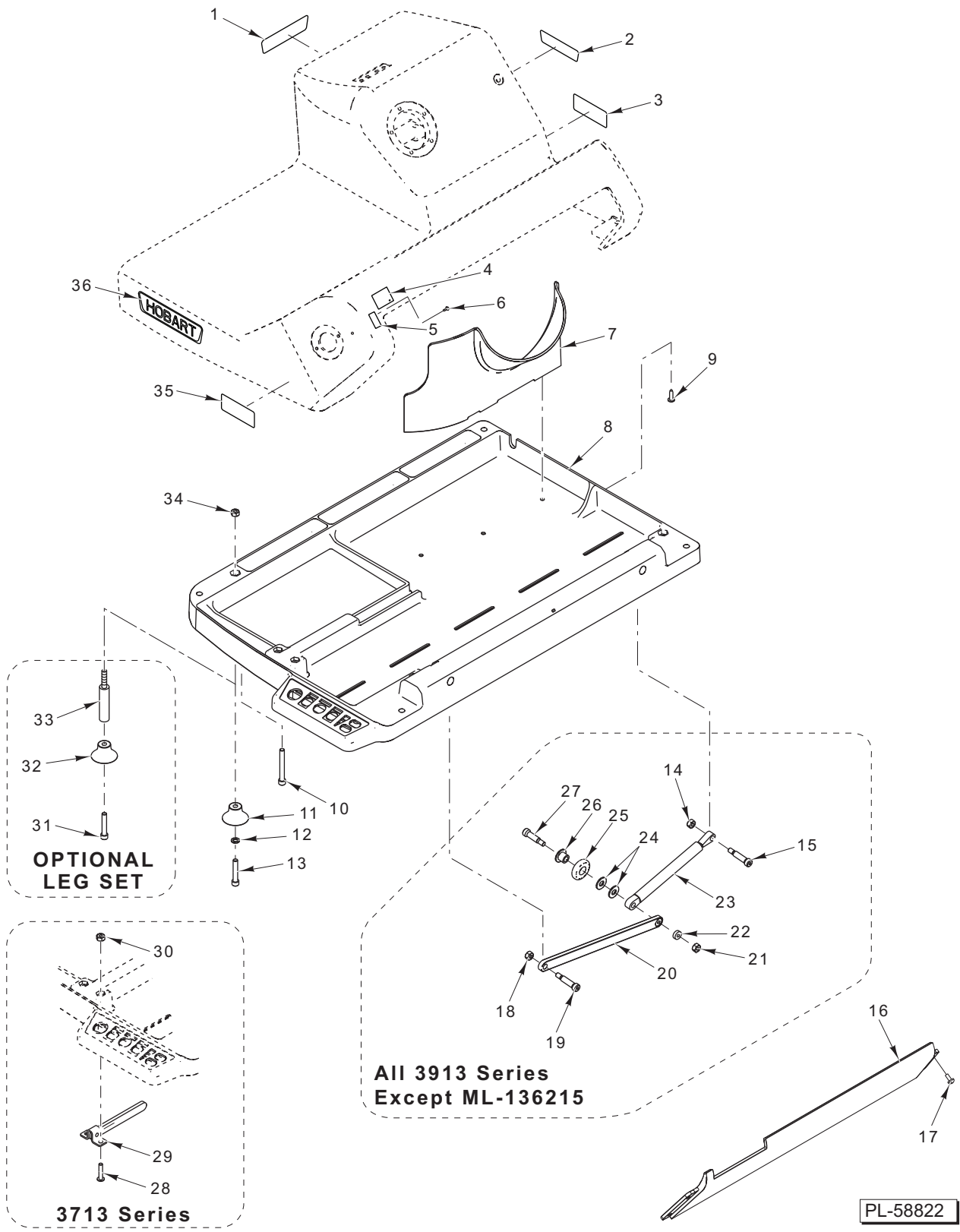
ILLUS.	PART NO.	NAME OF PART	AMT.
PL-58820			
1	00-914385-00001	Motor – Knife Drive (115 V., 60 Hz., 1Ph.).....	1
2	00-914385-00002	Motor – Knife Drive (230 V., 60 Hz., 1Ph.).....	1
3	00-914385-00003	Motor – Knife Drive (115 V., 50 Hz., 1Ph.).....	1
4	00-914385-00004	Motor – Knife Drive (230 V., 50 Hz., 1Ph.).....	1
5	00-914368	Bracket – Motor	1
6	WS-018-08	Washer.....	4
7	WL-004-06	Lockwasher ³ / ₈ Helical.....	4
8	SC-037-73	Cap Screw ³ / ₈ -16 x 1 Hex Hd.	4
9	WS-018-08	Washer.....	3
10	WL-004-06	Lockwasher ³ / ₈ Helical.....	3
11	SC-037-73	Cap Screw ³ / ₈ -16 x 1 Hex Hd.	3
12	00-914376	Washer – Knife Motor (Rubber).....	4



ELECTRICAL COMPONENTS

ELECTRICAL COMPONENTS

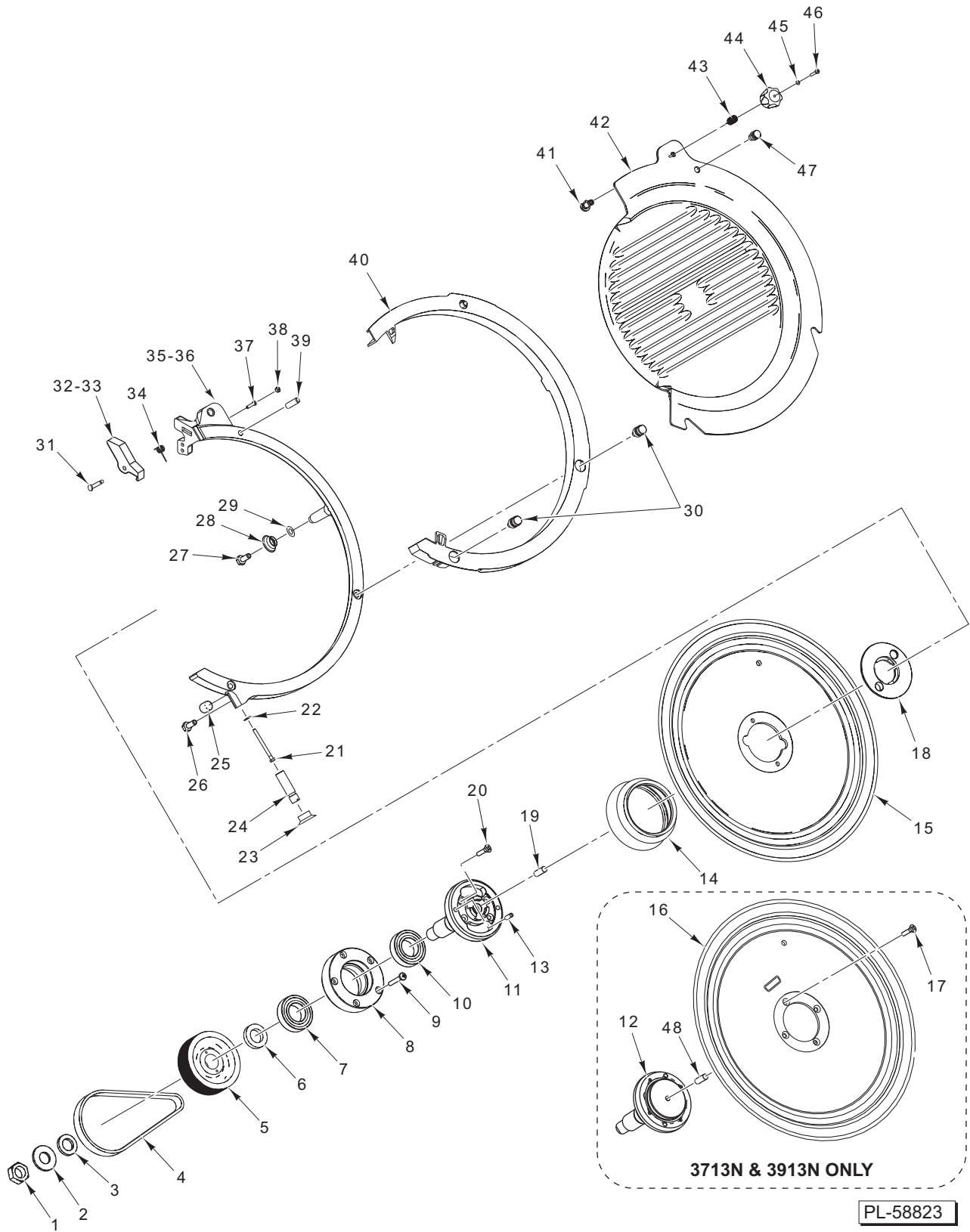
ILLUS. PL-58821	PART NO.	NAME OF PART	AMT.
1	SC-129-75	Mach. Screw 10-14 x 5/8 Phil. Pan Hd.....	6
2	00-915070	PCB Assy. (Automatic) (120 V.) (Incls. Fuses) (3913 Series).....	1
3	00-915072	PCB Assy. (Automatic) (230 V.) (Incls. Fuses) (3913 Series).....	1
4	00-915071	PCB Assy. (Automatic) (120 V.) (Incls. Fuses) (3713 Series).....	1
5	00-915073	PCB Assy. (Automatic) (230 V.) (Incls. Fuses) (3713 Series).....	1
6	00-914418	Box – Electronics.....	1
7	FE-026-52	Lock Nut 1/2 Electrical.....	2
8	FE-026-53	Bushing – Electric (1/2).....	2
9	FE-026-50	Strain Relief – Electrical (1/2).....	2
10	00-914755	Overlay – Automatic Graphic (3713 Series).....	1
11	00-914773	Adhesive – Automatic Graphic (3713 Series).....	1
12	00-914774	Adhesive – Automatic Fiber Optic (3713 Series).....	1
13	00-914524	Overlay – Automatic Graphic (3913 Series).....	1
14	00-914642	Adhesive – Automatic Graphic (3913 Series).....	1
15	00-914644	Adhesive – Automatic Fiber Optic (3913 Series).....	1
16	00-914638-00002	Actuator – Off Switch.....	2
17	00-914638-00001	Actuator – On Switch.....	1
18	00-914638-00003	Plug – Actuator Sharpen Switch.....	1
19	00-914645	Lamp – Small Fiber Optic.....	2
20	00-914646	Lamp – Large Fiber Optic (3913 Series).....	1
21	00-914684	Harness – Wiring (Incls. Items 9 & 30).....	1
22	SC-120-37	Cap Screw 6-32 x 3/8 Hex Socket Hd. (SST).....	2
23	00-914760	Cap – Square Drive.....	2
24	00-914760	Cap – Square Drive.....	2
25	SC-125-23	Cap Screw 6-32 x 3/4 Hex Socket Hd. (SST).....	2
26	00-914559	Cover – Lower Bezel.....	1
27	00-915066	Keypad Assy. (3913 Series).....	1
28	00-915068	Keypad Assy. (3713 Series).....	1
29	00-914638-00004	Plug – Actuator Speed Up / Down Switch.....	2
30	00-914627	Boot – Control Panel Connector.....	1
31	SC-129-75	Mach. Screw 10-14 x 5/8 Phil. Pan Hd.....	6
32	00-914419	Lid – Box.....	1
33	00-914532	Grommet – Cord.....	1
34	FE-026-70	Lock Nut (PG29) Electrical.....	1
35	00-914781	Insert – Strain Relief (Linear Motor).....	1
36	FE-026-71	Strain Relief – Electrical (PG29) (Incls. Item 35).....	1
37	00-117542-00112	Cord & Plug Assy. (115 V.).....	1
38	00-117542-00113	Cord & Plug Assy. (230 V.).....	1
39	FE-026-50	Strain Relief – Electrical (1/2).....	1
40	FE-026-52	Lock Nut 1/2 Electrical.....	1
41	FE-026-59	Lock Nut 3/8 Electrical.....	1
42	FE-026-58	Bushing – Electrical (3/8).....	1
43	FE-026-57	Strain Relief – Electrical (3/8).....	1
44	00-914782-00008	Fuse (4.0 Amp.) (230 V.) (FS1, Knife Motor).....	1
45	00-914782-00007	Fuse (8.0 Amp.) (115 V.) (FS1, Knife Motor).....	1
46	00-914782-00006	Fuse (1.6 Amp.) (115/230 V.) (FS3, Linear Motor DC BUS).....	1
47	00-914782-00002	Fuse (3.15 Amp.) (115/230 V.) (FS4, DC Supply).....	1
48	SC-113-52	Mach. Screw 10-24 x 1/2 Phil. Truss Hd. (SST).....	4
49	SD-036-39	Self-Tapping Screw 10-24 x 3/8 Slotted Truss Hd., Type TT.....	4
50	00-078752-00003	Clamp – Cable.....	4
51	00-914380-00002	Switch – Hall Effect Assy. (Interlock) (3913 Series).....	1
52	00-078752-00016	Clamp – Wire (3913 Series).....	2
53	SC-053-38	Mach. Screw 6-32 x 1/4 Slotted Truss Hd. (SST) (3913 Series).....	2
54	SC-053-38	Mach. Screw 6-32 x 1/4 Slotted Truss Hd. (SST) (3913 Series).....	3
55	00-914380-00001	Switch – Hall Effect Assy. Home (3913 Series).....	1
56	00-914840	Switch Assy. – Gauge Plate Closed (3913 Series).....	1



BASE ASSEMBLY

BASE ASSEMBLY

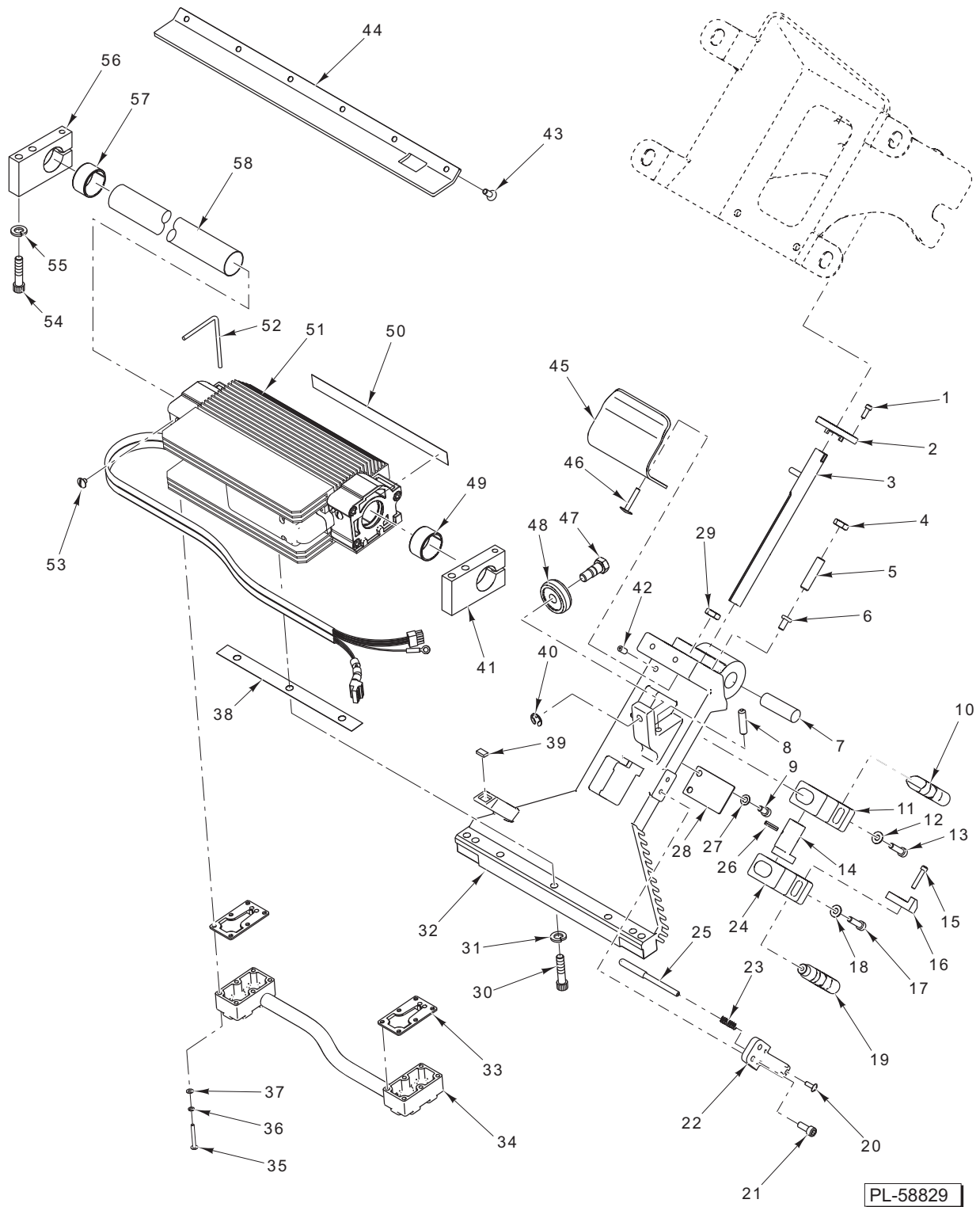
ILLUS. PL-58822	PART NO.	NAME OF PART	AMT.
1	00-477739	Logo – Large Hobart.....	1
2	00-477740	Logo – Small Hobart.....	1
3	00-438131-061-2	Label – California Warning (All Except Canadian).....	1
4	00-438131-054-3	Label – Warning.....	1
5	00-873622	Label – Microban.....	1
6	00-121676-00001	Self-Tapping Screw #2 Truss Hd.	2
7	00-914558	Cover – Motor.....	1
8	00-914293-00002	Cover – Bottom.....	1
9	SC-129-75	Screw 10-14 x 5/8 Phil. Pan Hd.....	3
10	SC-130-03	Cap Screw 5/8-18 x 1 3/4 Hex Socket Hd.....	4
11	00-914835	Foot – Base.....	4
12	WS-017-08	Washer.....	3
13	SC-130-04	Cap Screw 5/16-18 x 2 1/4 Hex Socket Hd.	4
14	NS-015-01	Nut 1/4-20 Hex (SST) (All 3913 Series Except ML-136215).....	1
15	SC-130-05	Shoulder Screw 1/4-20 x 7/8 (All 3913 Series Except ML-136215).....	1
16	00-914622-00002	Panel – Side.....	1
17	SC-115-03	Mach. Screw 10-32 x 5/8 Slotted Rd. Hd. (SST).....	4
18	NS-015-01	Nut 1/4-20 Hex (SST) (All 3913 Series Except ML-136215).....	1
19	SC-129-91	Shoulder Screw 1/4-20 x 1 (SST) (All 3913 Series Except ML-136215).....	1
20	00-914827	Linkage – Manual Lift Bar (All 3913 Series Except ML-136215).....	1
21	NS-015-01	Nut 1/4-20 Hex (SST) (All 3913 Series Except ML-136215).....	1
22	00-914804	Spacer – Manual Lift (All 3913 Series Except ML-136215).....	1
23	00-914575	Spring – Gas (All 3913 Series Except ML-136215).....	1
24	WS-029-05	Washer (SST) (All 3913 Series Except ML-136215).....	2
25	00-914828	Roller – Manual Lift (All 3913 Series Except ML-136215).....	1
26	00-914829	Bearing – Bushing (All 3913 Series Except ML-136215).....	1
27	SC-130-05	Shoulder Screw 1/4-20 x 7/8 (All 3913 Series Except ML-136215).....	1
28	SC-125-95	Mach. Screw 1/4-20 x 1 1/4 Phil. Pan Hd. (SST) (3713 Series).....	2
29	00-914653	Bracket – Kickstand Assy. (3713 Series).....	1
30	NS-015-01	Nut 1/4-20 Hex (SST) (3713 Series).....	1
31	SC-092-61	Cap Screw 5/16-18 x 1 1/2 Hex Socket Hd.....	4
32	00-914835	Foot – Base.....	4
33	00-914749	Leg – Extension (4 In.).....	4
34	NS-015-11	Nut 5/16-18 Hex (SST).....	3
35	00-438131-00186	Label – Warning (Auto).....	1
36	00-477739	Logo – Large Hobart.....	1
	00-914765	Leg Set (Packaged) (Incls. Items 31, 32, & 33).....	1
	00-438131-00058	Label – Warning (All Except Canadian).....	1



KNIFE SHAFT AND TOP COVER

KNIFE SHAFT AND TOP COVER

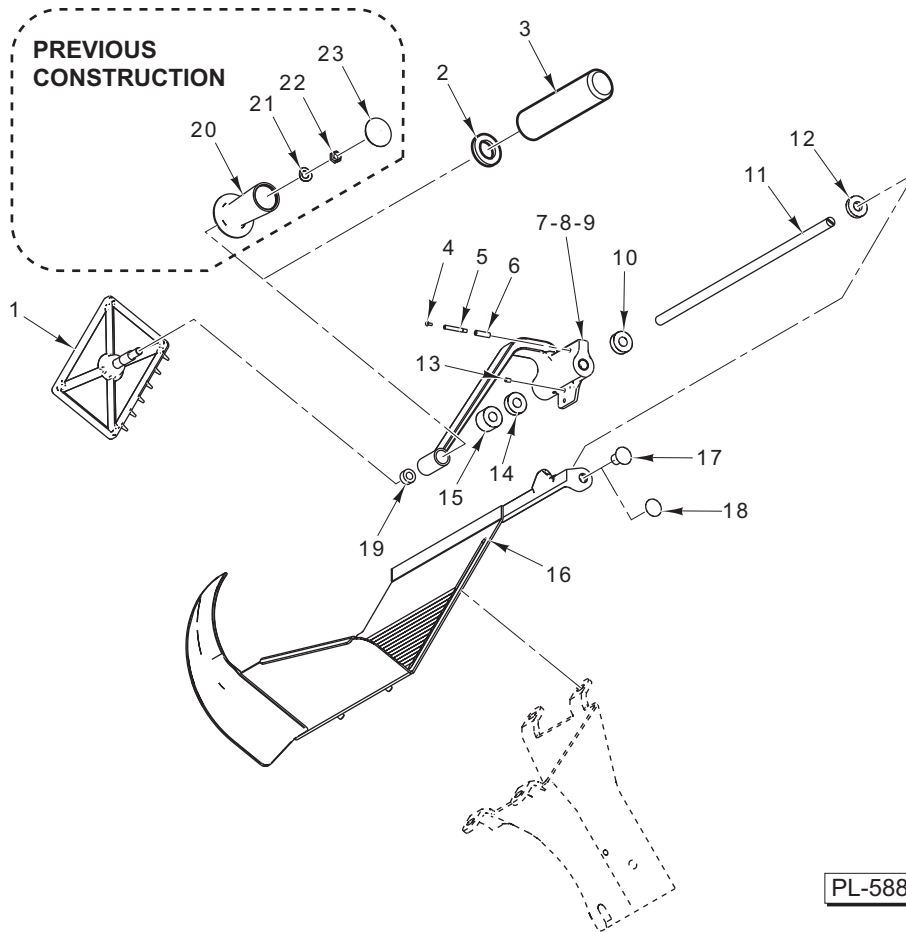
ILLUS.	PART NO.	NAME OF PART	AMT.
	PL-58823		
1	NS-017-41	Jam Nut ⁵ / ₈ -18 (SST).....	1
2	WS-031-51	Washer.....	1
3	WL-019-28	Lockwasher ⁵ / ₈ Helical.....	1
4	00-914334	Belt – Knife Drive (Flexonic).....	1
5	00-914372	Pulley – Driven Knife Drive.....	1
6	00-914374	Spacer – Knife Drive Lock.....	1
7	BB-021-66	Bearing – Ball.....	1
8	00-914333	Hub – Slicer Base.....	1
9	SC-129-92	Mach. Screw 10-32 x 1 ¹ / ₄ Phil. Rd. Hd. (SST).....	5
10	BB-021-66	Bearing – Ball.....	1
11	00-914663	Shaft – Knife Removal Mounting Assy. (Incls. Items 10, 13, & 20) (3713 & 3913 Series).....	1
12	00-914373	Shaft – Knife (Non-Removal) (3713N & 3913N Series).....	1
13	00-915106	Pin – Grooved (³ / ₁₆ In.).....	1
14	00-914318	Boot (Micro-Ban).....	2
15	00-914753	Knife – Slicer Pack (3713 & 3913 Series).....	1
16	00-914753-00002	Knife – Slicer Pack (3713N & 3913N Series).....	1
17	SC-114-99	Mach. Screw 10-32 x 1 ¹ / ₂ Phil. Flat Hd. (3713N & 3913N Series).....	4
18	00-914422	Plate – Knife Removal Clamp.....	1
19	00-914561	Screw – Rulon.....	1
20	SC-129-80	Mach. Screw 10-24 x ³ / ₄ Phil. Flat Hd. (SST).....	4
21	SC-129-79	Cap Screw 10-24 x 2 ¹ / ₄ Hex Hd. (SST).....	1
22	WS-023-30	Washer.....	1
23	00-914429	Boot – Ring Guard.....	1
24	00-914428	Post – Ring Guard.....	1
25	00-914634	Magnet – Product Deflector.....	1
26	SC-130-21	Mach. Screw 6-32 x ⁵ / ₁₆ Hex Hd. (SST).....	1
27	SC-037-80	Mach. Screw 10-24 x 1 ¹ / ₂ Hex Hd. (SST).....	1
28	00-914429	Boot – Ring Guard.....	1
29	WS-023-30	Washer.....	1
30	00-914358	Pin – Tapered.....	2
31	00-914411	Pin – Lock.....	1
32	00-914409-00002	Lock – Knife Edge Protector (3913 Series).....	1
33	00-914409-00003	Lock – Knife Edge Protector (3713 Series).....	1
34	00-914425	Lock – Torsion Spring.....	1
35	00-914568-00001	Ring – Guard & Lock (Incls. Items 23, 27, 31, 32, & 34) (3913 Series).....	1
36	00-914568-00002	Ring – Guard & Lock (Incls. Items 23, 27, 31, 33, & 34) (3713 Series).....	1
37	SC-129-78	Cap Screw 8-32 x ⁵ / ₈ Hex Socket Hd.....	2
38	00-914430	Plug.....	2
39	PG-006-27	Pin – Grooved (¹ / ₄ In.).....	1
40	00-914408	Cover – Ring Guard.....	1
41	00-875265	Stud – Top Cover Locking.....	1
42	00-914412-00003	Cover – Top.....	1
43	00-437994	Spring – Top Cover.....	1
44	00-875266	Knob – Top Cover Locking.....	1
45	WL-013-02	Lockwasher #4 Internal (SST).....	1
46	SC-122-53	Mach. Screw 4-40 x ⁵ / ₈ Phil. Pan Hd.....	1
47	00-914357	Stud – Adjustable Hub.....	1
48	00-914561	Screw – Rulon.....	1
	00-914375	Hub & Bearing Assy. (Incls. Items 7 & 8).....	1
	00-914567	Top Cover & Lock Knob Assy. (Incls. Items 41, 43, 45, & 46).....	1



INTERLOCK AND CARRIAGE ASSEMBLY

INTERLOCK AND CARRIAGE ASSEMBLY

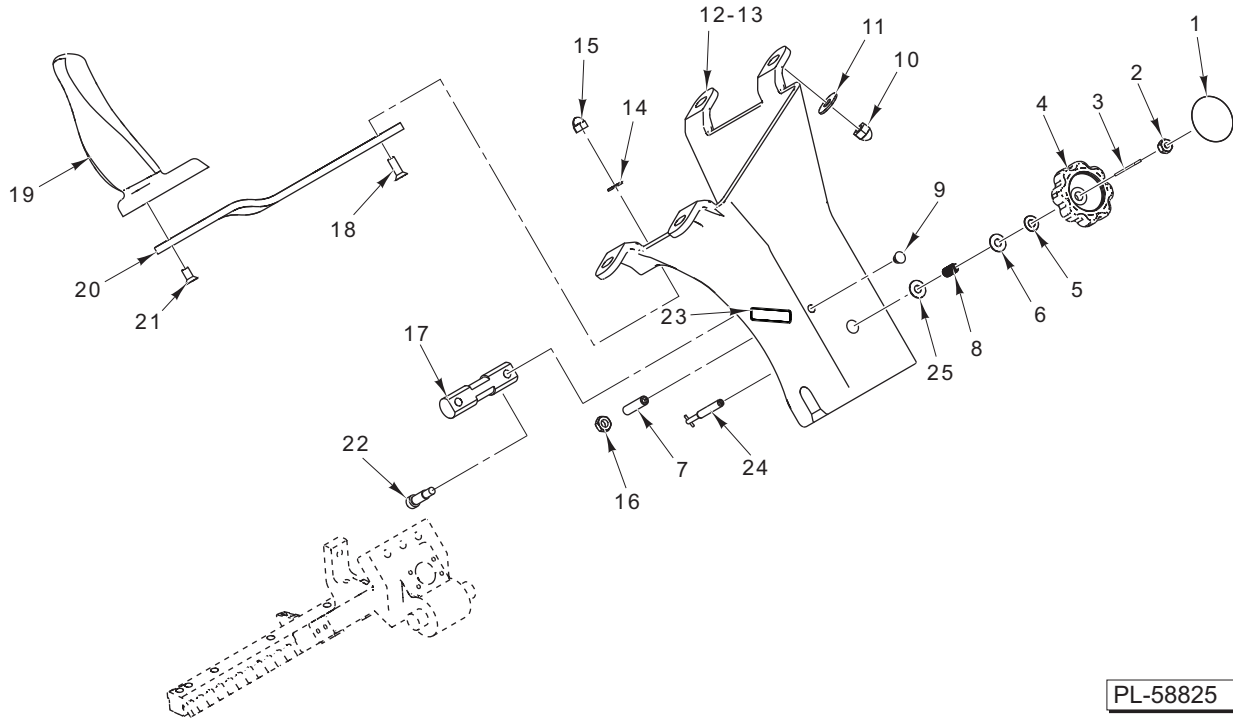
ILLUS.	PART NO.	NAME OF PART	AMT.
1	SC-120-37	Cap Screw 6-32 x 3/8 Hex Socket Hd. (SST).....	4
2	00-914346	Plate – Interlock Key.....	1
3	00-914789	Shaft – Interlock (3913 Series).....	1
4	NS-018-10	Nut 5/16-24 Hex (SST).....	1
5	SC-129-84	Set Screw 5/16-24 x 1 1/4 Hex Hdls., Cup Pt.	1
6	00-439045	Stud – Drive.....	1
7	00-914563	Rod – Tray Arm Mounting.....	1
8	SC-129-93	Set Screw 1/4-28 x 1 Hex Hdls., Cup Pt.....	1
9	SC-122-29	Cap Screw 10-32 x 3/8 Hex Socket Hd. (3913 Series).....	2
10	00-914341-00001	Pin – Interlock (Transport) (3913 Series).....	1
11	00-914342-00001	Block – Interlock Shaft Bearing (3913 Series).....	1
12	WS-031-19	Washer (SST) (3913 Series).....	2
13	SC-059-17	Cap Screw 10-32 x 3/4 Hex Socket Hd. (3913 Series).....	2
14	00-914553	Lock – Cam Interlock Shaft (3913 Series).....	1
15	SC-125-23	Cap Screw 6-32 x 3/4 Hex Socket Hd. (SST) (3913 Series).....	2
16	00-914810	Bracket – Plunger (3913 Series).....	1
17	SC-059-17	Cap Screw 10-32 x 3/4 Hex Socket Hd. (3913 Series).....	2
18	WS-031-19	Washer (SST) (3913 Series).....	2
19	00-915045	Pin – Interlock (Index) (Incls. Magnet) (3913 Series).....	1
20	SC-122-83	Mach. Screw 6-32 x 3/8 Slotted Truss Hd. (SST) (3913 Series).....	1
21	SC-089-69	Cap Screw 10-32 x 1/2 Hex Socket Hd. (3913 Series).....	2
22	00-914552	Mount – Carriage Target Plunger (3913 Series).....	1
23	00-914554	Spring – Target (3913 Series).....	1
24	00-914342-00002	Block – Interlock Shaft Bearing (3913 Series).....	1
25	00-914551	Plunger – Carriage Target (3913 Series).....	1
26	RP-002-23	Pin – Roll (3913 Series).....	1
27	WL-008-13	Lockwasher #10 Internal (3913 Series).....	2
28	00-914345	Spring – Interlock Shaft (3913 Series).....	1
29	NS-011-18	Nut 10-24 Hex.....	3
30	SC-130-14	Cap Screw 1/4-20 x 1 1/8 Hex Socket Hd.....	3
31	WL-020-06	Lockwasher 1/4 Helical.....	3
32	00-914637	Transport – Carriage & Rod Assy. (Incls. Item 6).....	1
33	00-914570	Gasket – Lubrication Reservoir.....	2
34	00-914872	Reservoir Assy.....	1
35	SC-129-90	Cap Screw 4-40 x 1 Phil. Truss Hd. (SST).....	12
36	WL-006-43	Lockwasher #4 Helical (SST).....	12
37	WS-031-61	Washer (SST).....	12
38	00-914679	Film – Thermal Interface.....	1
39	00-914505	Magnet – Transport.....	1
40	RR-006-23	Retaining Ring.....	1
41	00-914350	Clamp – Slide Rod.....	1
42	SC-124-17	Set Screw 8-32 x 3/8 Hex Hdls., Flat Pt. (SST) (3913 Series).....	2
43	SD-024-16	Self-Tapping Screw 10-24 x 1/2 Phil. Flat Hd., Type TT.....	6
44	00-914348	Bar – Transport Roller.....	1
45	00-914339	Clamp – Tray Mounting.....	1
46	SC-131-14	Bolt 10-24 x 1 Sq. Neck, Rd. Hd.....	3
47	00-914697	Stud – Roller Bearing.....	1
48	00-478420	Roller Transport Assy.....	1
49	00-914465	Bumper – Carriage.....	1
50	00-914720	Film – Thermal Interface.....	1
51	00-914610	Linear Motor Assy.....	1
52	00-914666	Wick.....	2
53	SC-112-40	Mach. Screw 8-32 x 3/16 Slotted Truss Hd. (SST).....	2
54	SC-089-05	Cap Screw 1/4-20 x 1 1/2 Hex Socket Hd.....	6
55	WL-003-35	Lockwasher 1/4 Helical.....	6
56	00-914350	Clamp – Slide Rod.....	1
57	00-914465	Bumper – Carriage.....	1
58	00-914590	Rod – Magnet (Linear Motor).....	1



PL-58824

PRODUCT FEED TRAY

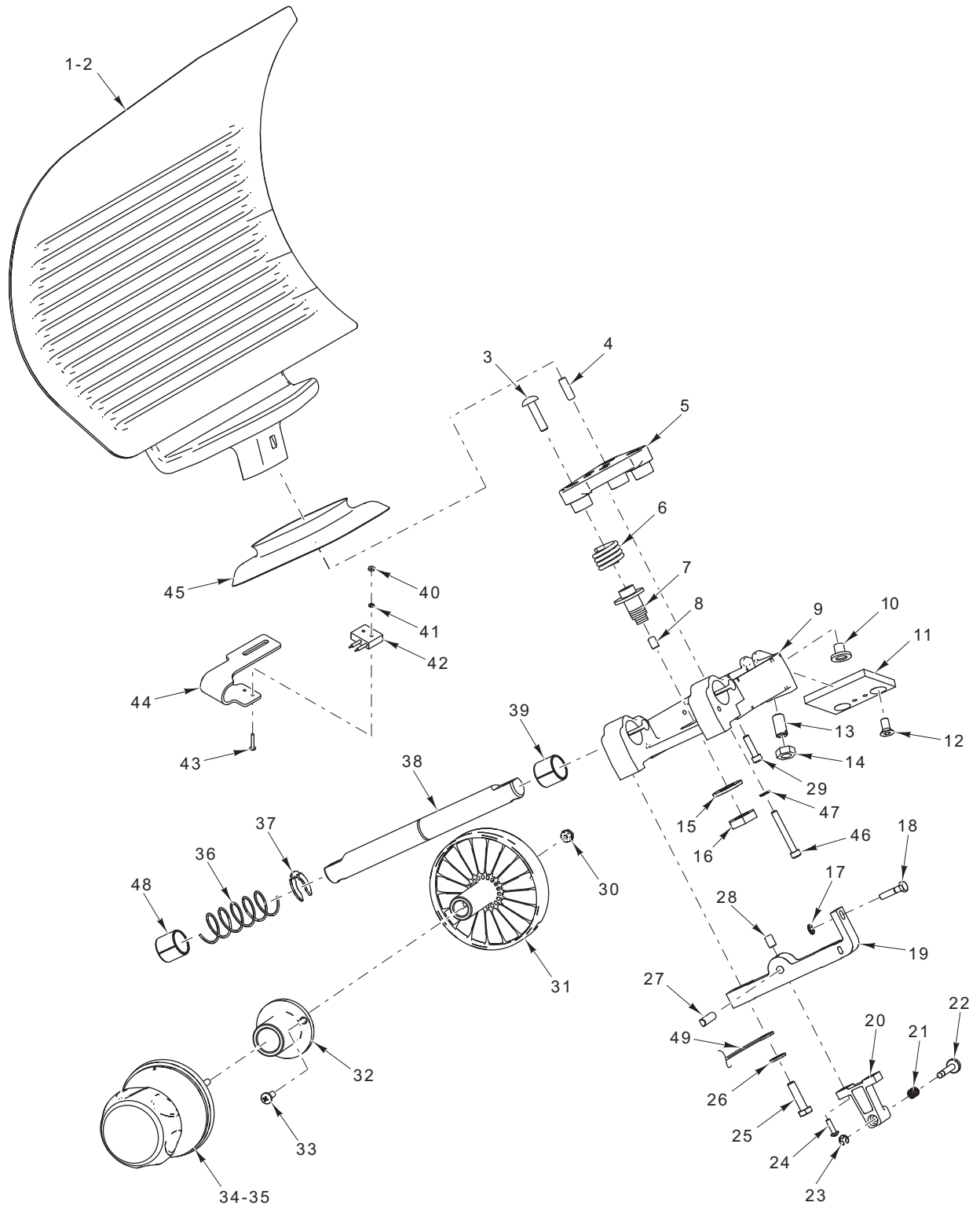
ILLUS.	PART NO.	NAME OF PART	AMT.
PL-58824			
1	00-914435	Grip – Meat	1
2	WS-021-21	Washer.....	1
3	00-914937	Handle – Meat Grip.....	1
4	SC-129-86	Mach. Screw 4-40 x 1/4 Slotted Pan Hd. (SST)	1
5	00-914958	Roller – Position Post	1
6	00-914443	Post – Position.....	1
7	00-914536-00004	Arm – Grip (3713 Series).....	1
8	00-914536-00005	Arm – Grip (3913 Series).....	1
9	00-914689	Wick – Meat Grip Slide Rod.....	1
10	00-914452	Bearing – Grip Arm	1
11	00-914440	Rod – Slide	1
12	00-914447	Stop – Compression	1
13	00-914446	Pad – Stop.....	2
14	00-914452	Bearing – Grip Arm	1
15	00-914497	Stop – Grip Arm	1
16	00-914439	Tray.....	1
17	00-915027	Cap – Slide Rod End (Current Construction).....	1
18	00-914492	Cap – Slide Rod End (Previous Construction).....	1
19	00-478254	Bushing.....	2
20	00-914436	Handle – Long Grip (Previous Construction)	1
21	SL-005-16	Spring – Loaded (SST) (Previous Construction)	1
22	NS-048-24	Lock Nut 3/8-16 (Previous Construction).....	1
23	00-914437	Cap – Handle (Previous Construction)	1
	00-914948-00003	Grip – Feed Assy. (Incls. Items 1 thru 7, 9, 10, 13, & 14) (3713 Series).....	1
	00-914948-00004	Grip – Feed Assy. (Incls. Items 1 thru 6, 8, 9, 10, 13, & 14) (3913 Series).....	1



PL-58825

TRAY ARM ASSEMBLY

ILLUS.	PART NO.	NAME OF PART	AMT.
PL-58825			
1	00-914474	Cap – Interlock Knob	1
2	NS-018-06	Jam Nut ⁵ / ₁₆ -18 Hex	1
3	00-914819	Key – Interlock Knob	1
4	00-914973-00002	Knob –Interlock	1
5	00-915003	Spring – Curved	1
6	WS-017-08	Washer (SST)	1
7	SC-129-84	Set Screw ⁵ / ₁₆ -24 x 1 ¹ / ₄ Hex Hdls., Cup Pt.	1
8	00-914981	Spring – Tray Arm Knob	1
9	00-875375	Plug – Gaugeplate (Microban)	1
10	NS-025-09	Crown Nut ⁵ / ₁₆ -18 (SST)	4
11	WS-017-01	Washer (SST)	4
12	00-914557-00005	Arm – Tray (3713 Series)	1
13	00-914557-00006	Arm – Tray (3913 Series)	1
14	WS-003-49	Washer (SST)	2
15	NS-025-04	Crown Nut ¹ / ₄ -20 (SST)	2
16	NS-018-10	Jam Nut ⁵ / ₁₆ -24 Hex (SST)	1
17	00-914562	Bar – Clamping Tray Arm	1
18	SC-129-94	Cap Screw ¹ / ₄ -20 x ³ / ₄ Hex Flat Hd. (SST)	2
19	00-914939	Handle – Tray	1
20	00-914651	Mount – Tray Handle	1
21	SC-110-34	Cap Screw ¹ / ₄ -20 x ¹ / ₂ Hex Flat Hd. (SST)	2
22	SC-121-06	Shoulder Screw ¹ / ₄ -20 x ³ / ₄ Hex Socket Hd. (SST)	2
23	00-477733	Label – Home Start	1
24	00-915129	Key Shaft & Pin Assy.	1
25	WS-017-09	Washer	1
	00-915005	Kit – Interlock Knob (Incls. Items 1 thru 6, 8, 24, & 25)	1

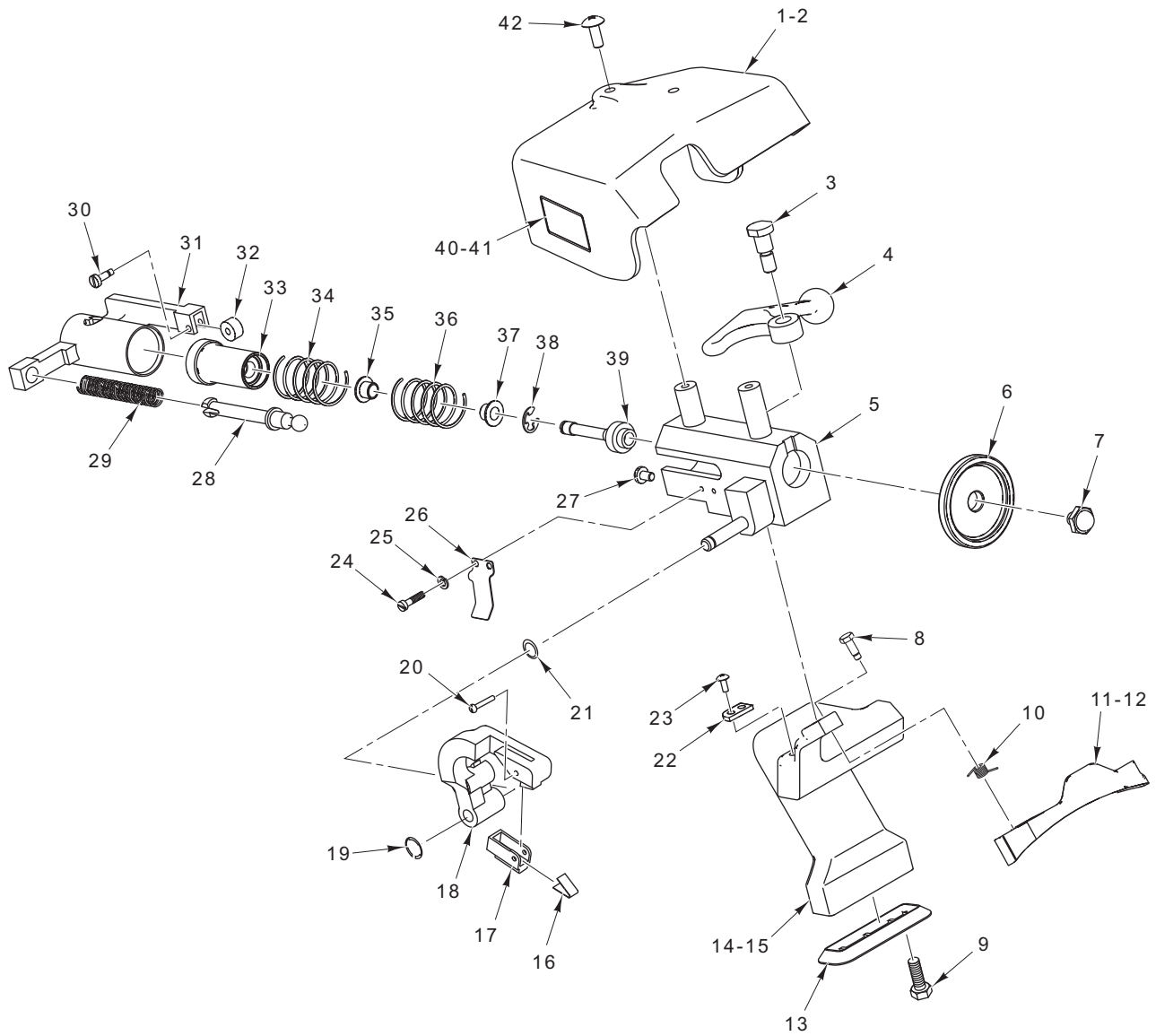


PL-58826

GAUGE PLATE UNIT

GAUGE PLATE UNIT

ILLUS.	PART NO.	NAME OF PART	AMT.
PL-58826			
1	00-914320-00001	Plate – Gauge Assy. (Incls. Item 4) (3713 Series)	1
2	00-914320-00002	Plate – Gauge Assy. (Incls. Item 4) (3913 Series)	1
3	SC-130-46	Cap Screw $\frac{3}{8}$ -24 x $1\frac{1}{2}$ Hex Button Hd.	3
4	00-914909	Pin – Dowel	2
5	00-914300-00002	Support – Intermediate Index	1
6	00-914307	Spring – Gauge Plate Adjustment	3
7	00-914848	Bolt – Barrel $\frac{3}{4}$ -24 x $1\frac{3}{16}$	3
8	SC-130-57	Set Screw $\frac{1}{4}$ -20 x $\frac{3}{4}$ Hex Hdls., Flat Pt.	3
9	00-914299-00002	Slide – Index	1
10	00-914317	Bearing – Anti Rotation Plug	1
11	00-914306	Plate – Anti Rotation	1
12	SC-110-34	Cap Screw $\frac{1}{4}$ -20 x $\frac{1}{2}$ Hex Flat Hd.	2
13	SC-123-51	Set Screw $\frac{3}{8}$ -24 x $\frac{3}{4}$ Slotted Hdls., Flat Pt. (Brass)	1
14	NS-017-20	Jam Nut $\frac{3}{8}$ -24 Hex	1
15	WS-031-62	Washer	3
16	NS-049-28	Nut $\frac{1}{2}$ -20 Hex	3
17	RR-006-03	Retaining Ring	1
18	00-914305	Screw – 10-32 x $\frac{9}{16}$ Fine Adjust.	1
19	00-914303-00002	Mount – Follower	1
20	00-914548	Mount – Target (3913 Series)	1
21	00-914701	Spring – Target (3913 Series)	1
22	00-914549	Pin – Target (3913 Series)	1
23	RR-006-03	Retaining Ring (3913 Series)	1
24	SC-093-24	Mach. Screw 6-32 x $\frac{1}{2}$ Phil. Pan Hd. (SST) (3913 Series)	2
25	SC-041-02	Cap Screw $\frac{1}{4}$ -20 x 1 Hex Hd. (SST)	2
26	WS-003-49	Washer (SST)	2
27	00-914304	Follower	1
28	SC-055-01	Set Screw 10-24 x $\frac{1}{4}$ Hex Hdls., Cup Pt.	1
29	SC-059-17	Cap Screw 10-32 x $\frac{3}{4}$ Hex Socket Hd. (SST)	2
30	NS-031-49	Stop Nut 10-32 Hex (SST)	1
31	00-914309-00002	Cam – Index ($2\frac{1}{2}$ Turns)	1
32	00-914315	Bushing – Cam	1
33	SC-111-14	Mach. Screw 10-32 x $\frac{5}{8}$ Slotted Pan Hd. (SST)	2
34	00-915006-00001	Knob & Index Assy. (All Except ML-136215)	1
35	00-915006-00003	Knob & Index Assy. (ML-136215, 3913 HEB)	1
36	00-914308	Spring – Anti Backlash	1
37	RR-012-25	Retaining Ring	1
38	00-914302	Shaft – Index	1
39	00-914310	Bushing – Index Slide	1
40	NS-046-97	Nut 2-56 Hex (3913 Series)	2
41	WL-019-29	Lockwasher #2 Internal (SST) (3913 Series)	2
42	00-914840	Switch Assy. – Gauge Plate Closed (3913 Series)	1
43	SC-122-72	Mach. Screw 2-56 x $\frac{9}{16}$ Slotted Pan Hd. (3913 Series)	2
44	00-914618	Bracket – Index Closed Switch (3913 Series)	1
45	00-914833	Boot – Gauge Plate	1
46	SC-130-59	Cap Screw 10-24 x $1\frac{1}{2}$ Hex Socket Hd.	1
47	WS-023-22	Washer	1
48	00-914310	Bushing – Index Slide	1
49	00-914813	Wire – Ground	1
	00-915007	Kit – Knob & Index Assy. (Incls. Items 30 & 34)	1

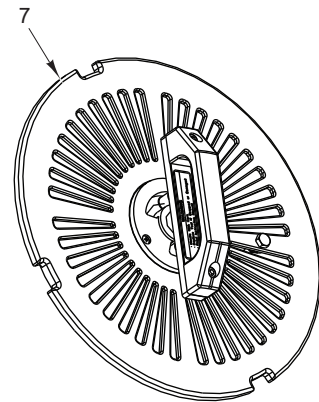
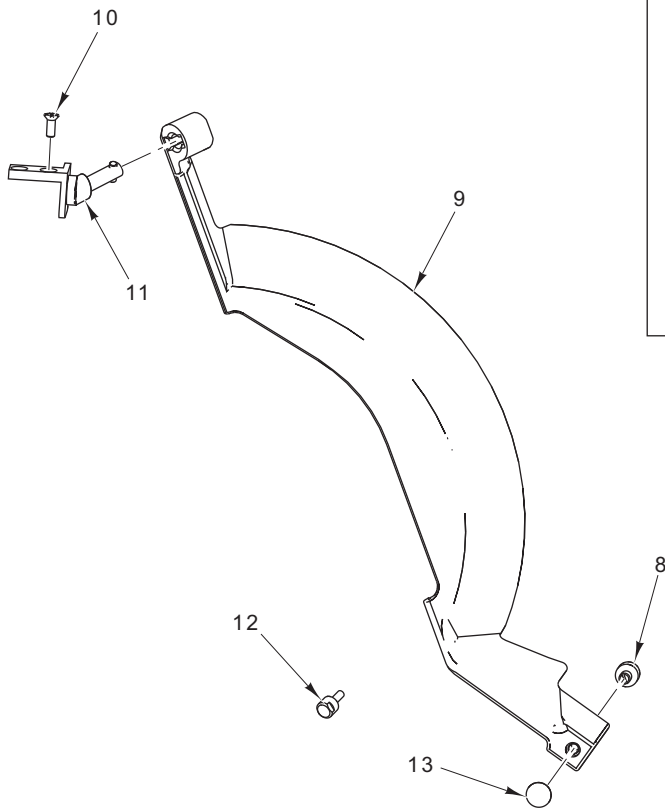
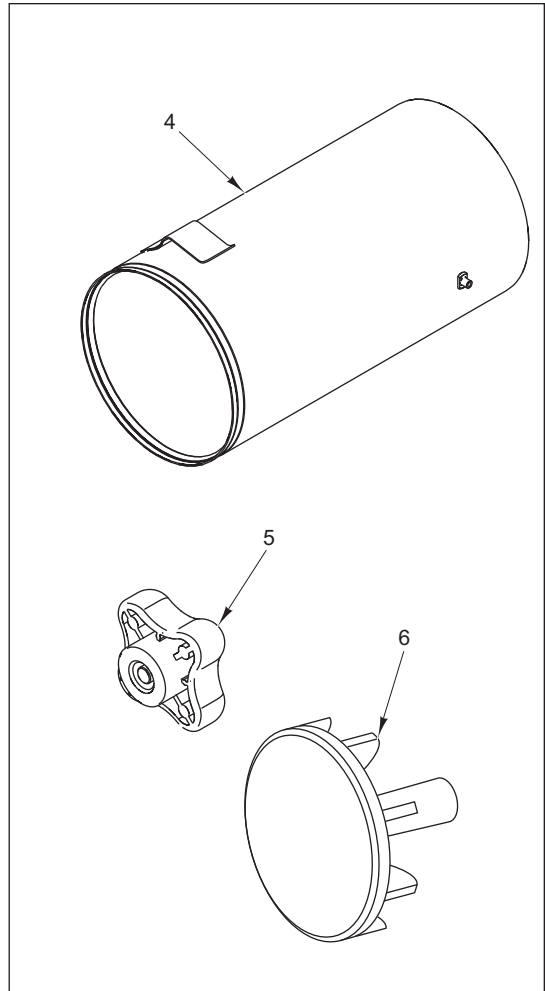
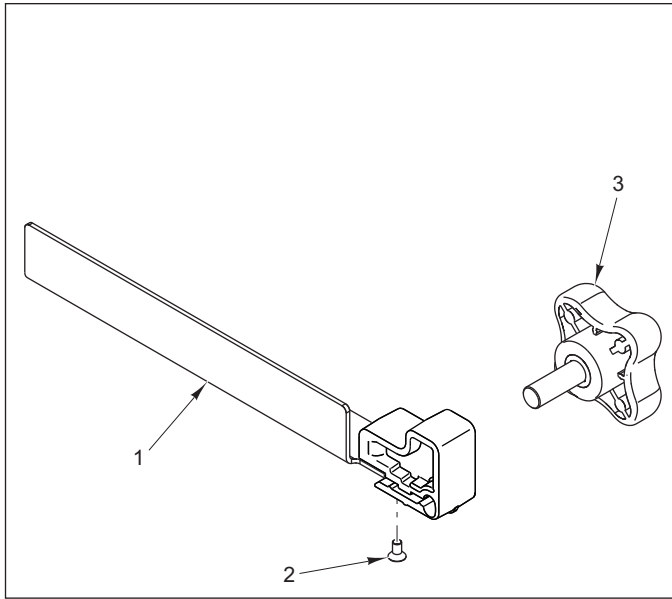


PL-58827

KNIFE SHARPENER UNIT

KNIFE SHARPENER UNIT

ILLUS.	PART NO.	NAME OF PART	AMT.
PL-58827			
1	00-914682	Cover & Plate Assy. (Incls. Item 40) (All Except Canadian).....	1
2	00-914682-00002	Cover & Plate Assy. (Incls. Item 41) (Canadian).....	1
3	00-479953	Shoulder Screw 1/4-20 x 3/8.....	1
4	00-875359	Handle – Sharpener.....	1
5	00-914565	Housing & Stud Assy.....	1
6	00-914326	Wheel – Grinding.....	1
7	00-914327	Screw – Pushing Cover.....	1
8	00-914410	Pin – Knife Protector.....	1
9	SC-037-80	Cap Screw 10-24 x 1/2 Hex Hd.....	2
10	00-914424	Spring – Knife Protector.....	1
11	00-914504-00002	Protector – Knife Edge (3913 Series).....	1
12	00-914504-00003	Protector – Knife Edge (3713 Series).....	1
13	00-914426	Boot – Sharpener Mount.....	1
14	00-914592	Mount – Sharpener Assy. (3913 Series).....	1
15	00-914592-00002	Mount – Sharpener Assy. (3713 Series).....	1
16	00-914414	Spring – Truing Stone.....	1
17	00-914413	Stone – Truing.....	1
18	00-914495-00002	Arm – Truing.....	1
19	RR-006-22	Retaining Ring.....	1
20	SC-129-65	Mach. Screw 2-56 x 5/8 Slotted Pan Hd.....	1
21	00-479527	Washer – Spring Crescent Shaped.....	1
22	00-914687	Spacer – Sharpener Mount.....	1
23	SC-022-79	Mach. Screw 6-32 x 3/8 Phil. Flat Hd. (SST).....	2
24	SC-126-48	Mach. Screw 4-40 x 1/4 Phil. Pan Hd.....	2
25	WL-003-03	Lockwasher #4 Helical.....	2
26	00-914544	Spring – Sharpener Housing.....	1
27	SC-122-87	Mach. Screw 8-32 x 1/4 Slotted Pan Hd. (SST).....	1
28	00-914415	Rod – Truing Pusher.....	1
29	00-914416	Spring – Truing Arm.....	1
30	00-914329	Roller – Shoulder Screw.....	1
31	00-914323	Actuator.....	1
32	00-914328	Roller – Lock Release.....	1
33	00-873851	Plunger – Bearing Assy. (Incls. Item 37).....	1
34	00-438437	Spring – Return.....	1
35	00-873834	Bearing – Sharpener.....	1
36	00-875531	Spring – Main.....	1
37	00-873834	Bearing – Sharpener.....	1
38	RR-006-22	Retaining Ring.....	1
39	00-873848	Shaft – Grinding Wheel.....	1
40	00-914681	Label – Instruction (All Except Canadian).....	1
41	00-914871	Label – Instruction (Canadian).....	1
42	SC-129-63	Mach. Screw 10-24 x 1/2 Phil. Truss Hd.....	2
	00-914569	Mount – Sharpener Assy. (Incls. Items 8, 10, 11, 13, 14, 22, & 23) (3913 Series).....	1
	00-914569-00002	Mount – Sharpener Assy. (Incls. Items 8, 10, 12, 13, 15, 22, & 23) (3713 Series).....	1



PL-58828

ACCESSORIES

ACCESSORIES

ILLUS.	PART NO.	NAME OF PART	AMT.
PL-58828			
1	00-914763	Fence Assy. – Vegetable (Packaged) (Incls. Item 3)	1
2	SC-130-51	Cap Screw 10-32 x 3/8 Hex Flat Hd. (SST).....	2
3	00-914671	Knob – Fence	1
4	00-914664	Chute	1
5	00-914673	Knob – Chute	1
6	00-075945	Pusher Assy. – Plate	1
7	00-914758	Knife Removal Tool Assy. (Packaged) (ML-136144, ML-136145, ML-136177, ML-136179, & ML-136215).....	1
8	00-914587	Foot – Adjustable Deflector (3913 Series)	1
9	00-914585-00002	Deflector – Product (3913 Series)	1
10	SC-022-79	Mach. Screw 6-32 x 3/8 Phil. Flat Hd. (SST) (3913 Series)	2
11	00-914649	Mount – Product Deflector (3913 Series)	1
12	00-914596	Stud – Product Deflector (3913 Series)	1
13	00-914597	Cap – Product Deflector (3913 Series).....	1
	00-914795	Food Chute Assy. (Packaged) (Incls. Items 4, 5, & 6)	1
	00-914702	Product Deflector Kit (Incls. Items 8 thru 13) (3913 Series)	1

