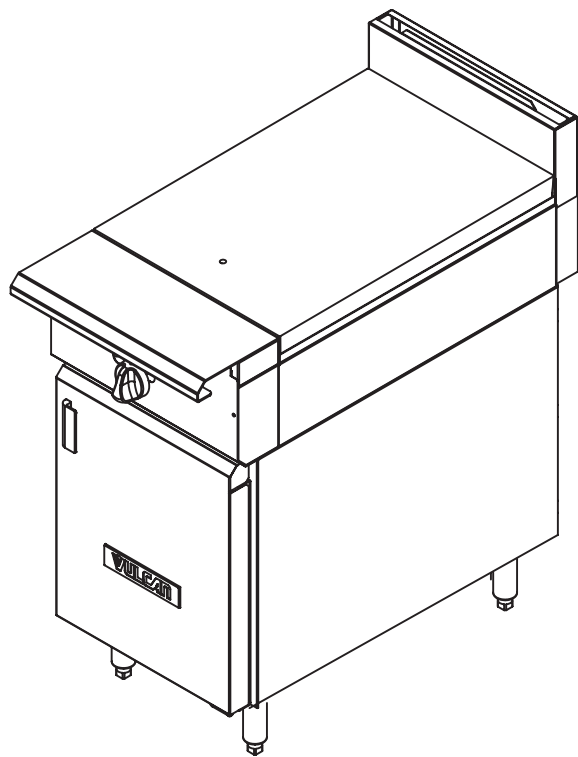


**VULCAN V SERIES HEAVY DUTY RANGES****VULCAN****HEAVY DUTY GAS RANGE  
18" WIDE FULL HOT TOP GAS RANGE**

Model V118HB shown on cabinet base

**SPECIFICATIONS**

18" wide heavy duty gas range, Vulcan Model No. V118H (modular) and V118HB (cabinet base). Stainless steel front, front top ledge, burner box, sides, base, exterior bottom, stub back and 6" adjustable legs. 1 1/4" diameter front gas manifold and 1 1/4" rear gas capped. Heavy hot top castings. Individual pilots and controls for each burner. Total input 30,000 BTU/hr.

**Exterior Dimensions:**

36 3/4"d x 18"w x 40 1/2"h on 6" adjustable legs

- V118H** 18" Wide Full Hot Top / Modular
- V118HB** 18" Wide Full Hot Top / Cabinet Base

**STANDARD FEATURES**

- Stainless steel front, front top ledge, burner box, sides, base, exterior bottom, and stub back
- 1 1/4" diameter front gas manifold and 1 1/4" rear gas connection (*capped*)
- 30,000 BTU/hr. burner
- Individual pilot and control for burner
- Heavy-duty top castings
- 4" stainless steel stub riser
- 6" adjustable stainless steel legs for cabinet base units (*no legs for modular model*)
- Stainless steel cabinet base door
- Universal rack guides, one removable shelf (*cabinet base*)
- One year limited parts and labor warranty

**OPTIONAL FEATURES (Factory Installed)**

- 1 1/4" rear gas connection
- Cap and cover front manifold
- 4" adjustable flanged feet for modular models
- 6" adjustable flanged feet for cabinet base models
- Less legs for dolly mounting of cabinet base models
- Set of 4 casters, 6" high (*two locking*)
- 3" high toe base for curb mounting for cabinet base units
- 3/4", 1", or 1 1/4" gas pressure regulator (*specify gas type – pack loose*)
- Universal rack guides with one shelf (*shelf is removable*)

**ACCESSORIES (Packaged & Sold Separately)**

- Extra removable shelves for use with Universal rack guides
- Banking strip
- 10", 22", or 34" high back risers (*no shelf*)
- 22" single deck solid or flo-thru high shelf risers
- 34" double deck solid or flo-thru high shelf risers
- Flexible gas hose with quick disconnect & restraining device

**VULCAN****Vulcan & Wolf Range**

a division of ITW Food Equipment Group LLC

P.O. Box 696 ■ Louisville, KY 40201 ■ Toll-free: 1-800-814-2028 ■ Local: 502-778-2791 ■ Quote &amp; Order Fax: 1-800-444-0602

# VULCAN V SERIES HEAVY DUTY RANGES



## HEAVY DUTY GAS RANGE 18" WIDE FULL HOT TOP GAS RANGE

### INSTALLATION INSTRUCTIONS

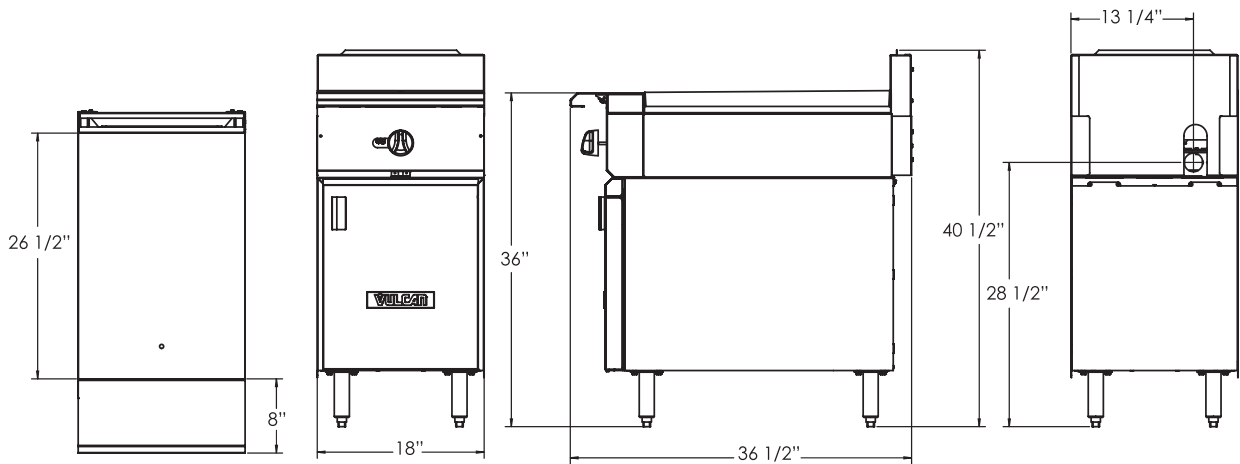
1. A properly sized gas pressure regulator suitable for battery or single unit application must be furnished and installed. Natural gas 6.0" W.C., propane gas 10 W.C.
2. An adequate ventilation system is required for commercial cooking equipment. Information may be obtained by writing to the National Fire Protection Association, 1 Batterymarch Park, Quincy, MA 02269, www.NFPA.org. When writing, refer to NFPA No. 96.
3. These units are manufactured for installation in accordance with ANSZ223.1A (latest edition), National Fuel Gas Code. Copies may be obtained from The American Gas Association, 400 N Capitol St. NW, Washington, DC 20001, www.AGA.org.

4. Clearances	Rear	Sides
Combustible	10"	10"
Non-combustible	0"	0"

5. For proper combustion, install equipment on adjustable legs or casters. On curb or platform, allow 3-1/2" front overhand. Toe base with leveling bolts are required for curb installation. Specify when ordering.
6. Cannot be battered with GH series equipment.
7. This appliance is manufactured for commercial installation only and is not intended for home use.

**NOTE: In line with its policy to continually improve its product, Vulcan reserves the right to change materials and specifications without notice.**

Specify type of gas when ordering. Specify altitude when above 2,000 feet.



TOP CONFIGURATION	MODEL NUMBER	DESCRIPTION	TOTAL INPUT BTU/HR	SHIPPING WEIGHT LBS/KG
	V118H	18" Wide Full Hot Top / Modular	30,000	220 / 100
	V118HB	18" Wide Full Hot Top / Cabinet Base	30,000	285 / 129



**Vulcan & Wolf Range**  
a division of ITW Food Equipment Group LLC

P.O. Box 696 ■ Louisville, KY 40201 ■ Toll-free: 1-800-814-2028 ■ Local: 502-778-2791 ■ Quote & Order Fax: 1-800-444-0602