



CATALOG OF REPLACEMENT PARTS



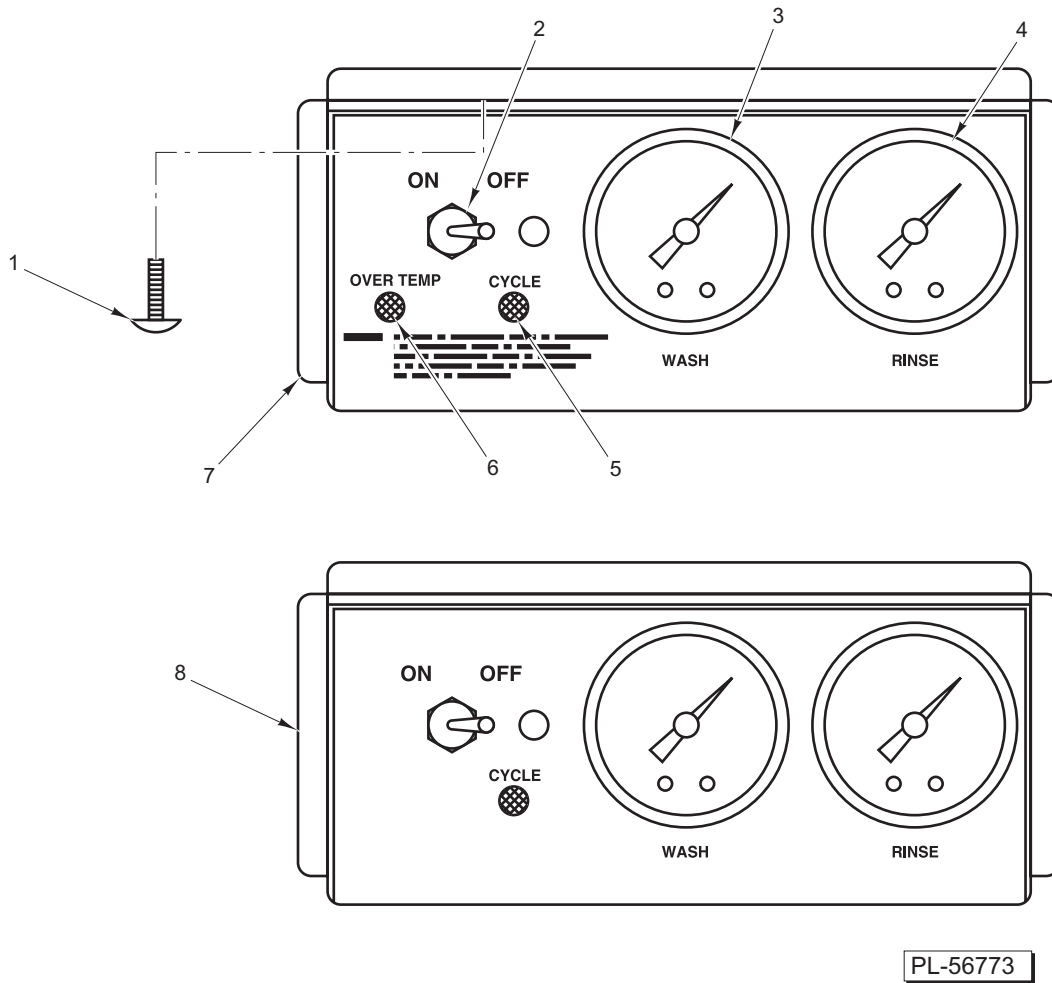
MODEL SR24 SERIES DISHWASHER

SR24C
SR24H

ML-130021
ML-130022

TABLE OF CONTENTS

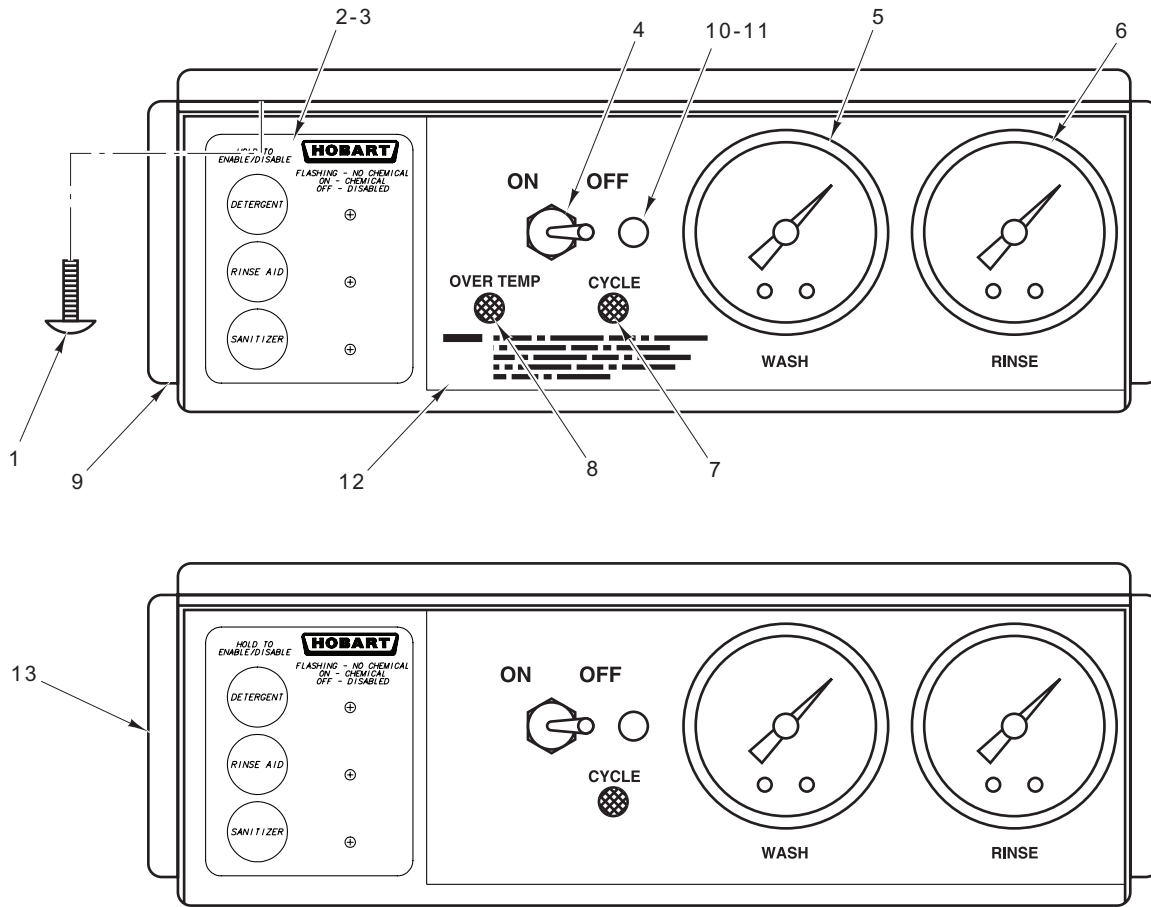
4	LOWER CONTROLS (PREVIOUS CONSTRUCTION)
5	LOWER CONTROLS (CURRENT CONSTRUCTION)
6	ELECTRICAL
9	DOOR
11	LOWER FILL (SR24C)
13	UPPER FILL AND FLOAT ASSEMBLY
15	WASH AND DRAIN PUMP
17	WASH ARM AND STRAINER
19	UPPER WASH ARM
21	SANITIZER (SR24C)
23	HOT WATER BOOSTER (SR24H)
25	DRAIN
27	DETERGENT/RINSE AGENT KIT (OPTIONAL)
29	CHEMICAL DETECTION BOX ASSEMBLY
30	BASE AND PANELS
31	RACK TRACK AND PANEL KITS
32	RACK UNIT



PL-56773

LOWER CONTROLS (PREVIOUS CONSTRUCTION)

ILLUS.	PART NO.	NAME OF PART	AMT.
PL-56773			
1	SC-066-06	Mach. Screw 10-24 x 1/2 Phil. Truss Hd. (SST)	2
2	00-087711-148-2	Switch – Toggle	1
3	00-328695	Thermometer (Wash)	1
4	00-328696-00001	Thermometer (Rinse)	1
5	00-813404	Light – Pilot (Amber)	1
6	00-813405	Light – Pilot (Red)	1
7	00-813617	Panel – Control & Trim Assy. (SR24H)	1
8	00-813618	Panel – Control & Trim Assy. (SR24C)	1

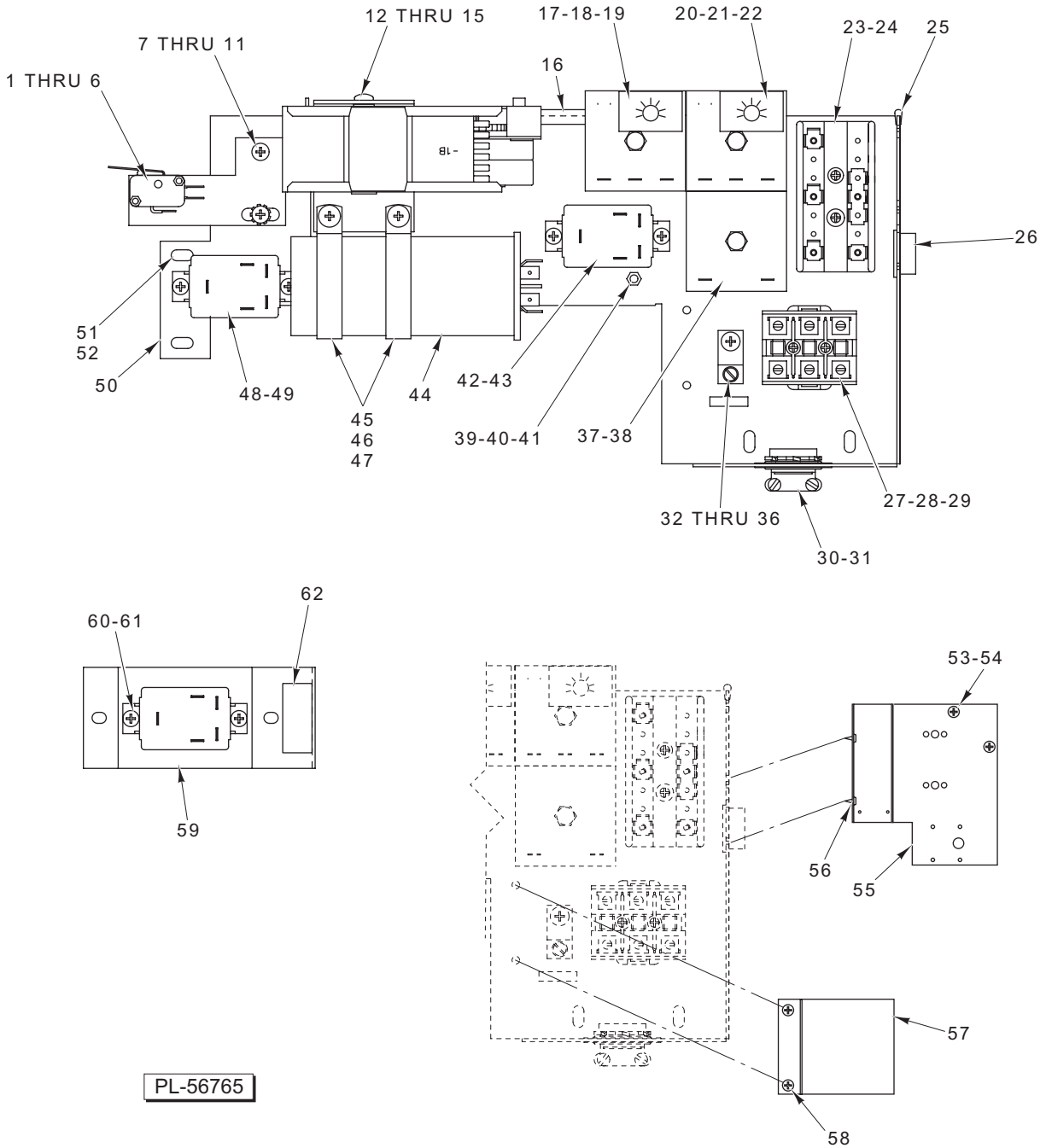


PL-59138

LOWER CONTROLS (CURRENT CONSTRUCTION)

ILLUS.	PART NO.	NAME OF PART	AMT.
PL-59138			
1	SC-066-06	Mach. Screw 10-24 x 1/2 Phil. Truss Hd. (SST)	2
2	00-893922	Switch – Chemical Detect Membrane	1
3	00-813796	Decal (Without Chemical Detection) (SR24H)	1
4	00-087711-148-2	Switch – Toggle	1
5	00-328695	Thermometer (Wash)	1
6	00-328696-00001	Thermometer (Rinse)	1
7	00-813404	Light – Pilot (Amber)	1
8	00-813405	Light – Pilot (Red)	1
9	00-813783	Panel – Control & Trim Assy. (SR24H)	1
10	SD-005-20	Self-Tapping Screw #6 x 1/4 Rd. Hd., Type U	1
11	00-124541-00002	Guard – Switch	1
12	00-813619	Trim – Control Panel (SR24H)	1
13	00-813620	Trim – Control Panel (SR24C)	1
	00-293946	Sleeve – Lead	1

SR24 SERIES DISHWASHER REPLACEMENT PARTS



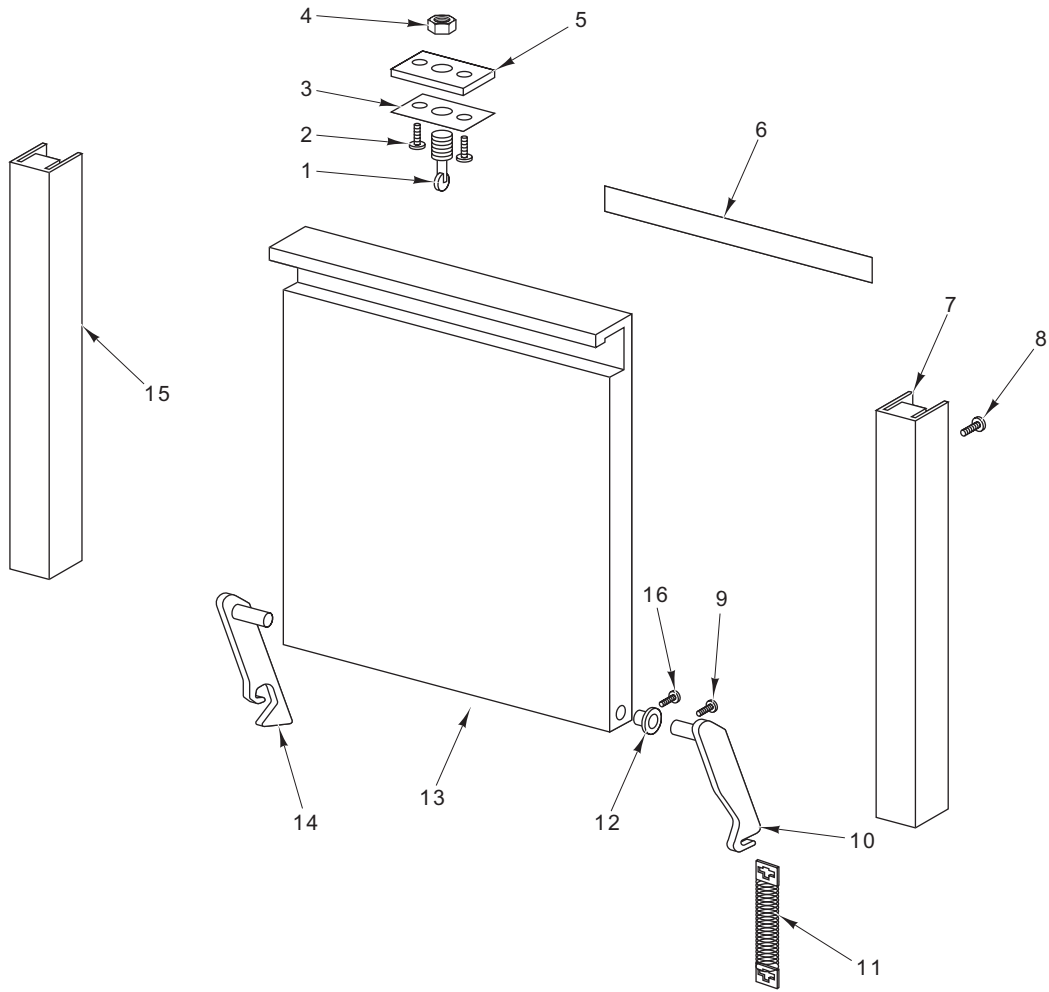
ELECTRICAL

ILLUS.	PART NO.	NAME OF PART	AMT.
PL-56765			
1	00-812329	Microswitch – Door	1
2	SC-127-96	Mach. Screw 4-40 x 1 Phil. Pan Hd.	2
3	WS-029-24	Washer.....	2
4	WL-003-03	Lockwasher #4 Helical.....	2
5	NS-009-02	Nut 4-40 Hex.....	2
6	00-812404	Barrier – Switch	1

ELECTRICAL (CONT.)

ILLUS.	PART NO.	NAME OF PART	AMT.
	PL-56765		
7	00-812325	Plate – Door Switch Mounting (Previous Construction).....	2
8	00-814153	Plate – Door Switch Mounting (Used on Machines After S/N #85-1061284) (Not Shown).....	2
9	SD-008-25	Self-Tapping Screw 10-16 x 1/2 Phil. Pan Hd., Type B	2
10	WL-007-12	Lockwasher #10 External Shakeproof	1
11	WS-023-03	Washer.....	2
12	00-812802	Shield – Water Timer	1
13	00-892983	Timer.....	1
14	00-270549	Bracket – Timer.....	1
15	SD-008-25	Self-Tapping Screw 10-26 x 1/2 Phil. Pan Hd., Type B	2
16	00-514410	Moulding – Rubber (4 1/2 In. On Detergent Only) (2 1/2 In. On Detergent and Rinse)	1
17	00-814055-00001	Timer – Delay Relay (Detergent & Rinse Units)	1
18	00-812581-00001	Module – Vari-Time (Detergent & Rinse Units) (Previous Construction)	1
19	SD-036-13	Self-Tapping Screw 1/4-20 x 1 1/4 Hex Washer Hd., Type T	1
20	00-814055-00001	Timer – Delay Relay	1
21	00-812581-00001	Module – Vari-Time (Previous Construction)	1
22	SD-036-13	Self-Tapping Screw 1/4-20 x 1 1/4 Hex Washer Hd., Type T	1
23	00-294325-00010	Block – Terminal.....	1
24	SD-008-18	Self-Tapping Screw 8-18 x 3/8 Phil. Bndg. Hd., Type B	2
25	00-514410	Moulding – Rubber (2 1/4 In.).....	1
26	FE-022-40	Bushing – Electrical Snap.....	1
27	00-294325-003-1	Block – Terminal.....	1
28	SD-037-21	Self-Tapping Screw 8-32 x 1 Phil. Fil. Hd., Type F.....	2
29	00-294326-00002	Strip – Marker	1
30	FE-007-23	Washer – Reducing 3/4 In. to 1/2 In. (SR24C).....	2
31	FE-002-45	Restraint 1/2 In. Conn. (SR24C).....	1
32	00-118544-00002	Lug – Solderless	1
33	SC-110-96	Mach. Screw 10-32 x 1/2 Phil. Rd. Hd.....	1
34	WL-007-12	Lockwasher #10 External Shakeproof	1
35	WL-003-20	Lockwasher #10 Helical.....	1
36	NS-009-30	Nut 10-32 Hex.....	1
37	00-812931	Relay – Time Delay (30 Sec.) (SR24C).....	1
38	SD-036-13	Self-Tapping Screw 1/4-20 x 1 1/4 Hex Washer Hd., Type T	1
39	SC-109-57	Mach. Screw 8-32 x 1/2 Phil. Rd. Hd.....	1
40	WL-007-12	Lockwasher #10 External Shakeproof	1
41	NS-009-12	Nut 8-32 Hex.....	1
42	00-087714-035-1	Relay (SR24H).....	1
43	SD-008-17	Self-Tapping Screw 6-20 x 3/8 Phil. Bndg. Hd., Type B	2
*44	00-110979-00101	Capacitor	1
45	00-078752-00014	Clamp – Wire (Previous Construction)	2
46	00-814013	Clamp – Metal (Current Construction)	2
47	SD-008-25	Self-Tapping Screw 10-16 x 1/2 Phil. Pan Hd., Type B	2
48	00-087714-035-1	Relay.....	1
49	SD-008-17	Self-Tapping Screw 6-20 x 3/8 Phil. Bndg. Hd., Type B	2
50	00-812960	Plate – Control (LH).....	1
51	SC-066-06	Mach. Screw 10-24 x 1/2 Phil Truss Hd.	4
52	WL-006-06	Lockwasher # 10 Helical.....	4
53	SC-041-50	Cap Screw 1/4-20 x 1/2 Hex Hd.....	2
54	WL-006-17	Lockwasher 1/4 Helical.....	2
55	00-812366	Plate – Control (RH) (SR24C)	1
56	SD-008-25	Self-Tapping Screw 10-16 x 1/2 Phil. Pan Hd., Type AB	2
57	00-812333	Cover – Electrical Enclosure.....	1
58	SD-019-29	Self-Tapping Screw 6-20 x 1/2 Phil. Pan Hd., Type B	2
59	00-813503	Bracket – Relay Mounting (Mounted on LH Side of Base)	1
60	SD-017-29	Self-Tapping Screw 6-20 x 3/8 Phil. Truss Hd., Type AB.....	4
61	00-087714-035-1	Relay.....	1
62	00-748513-00002	Pin – Snubber Assy. (Mounted on Top of Relay)	1
	00-893210	Wiring Harness (SR24C) (Previous Construction).....	1
	00-813727	Wiring Harness (SR24C) (Current Construction).....	1
	00-893167	Wiring Harness (SR24H) (Previous Construction).....	1
	00-813726	Wiring Harness (SR24H) (Current Construction).....	1
	00-814025	Kit – Capacitor Service (Incls. Items 44, 46, & 47)	1

* For capacitor replacement on machines with serial numbers on or before #85-1040956, order kit 00-814025.

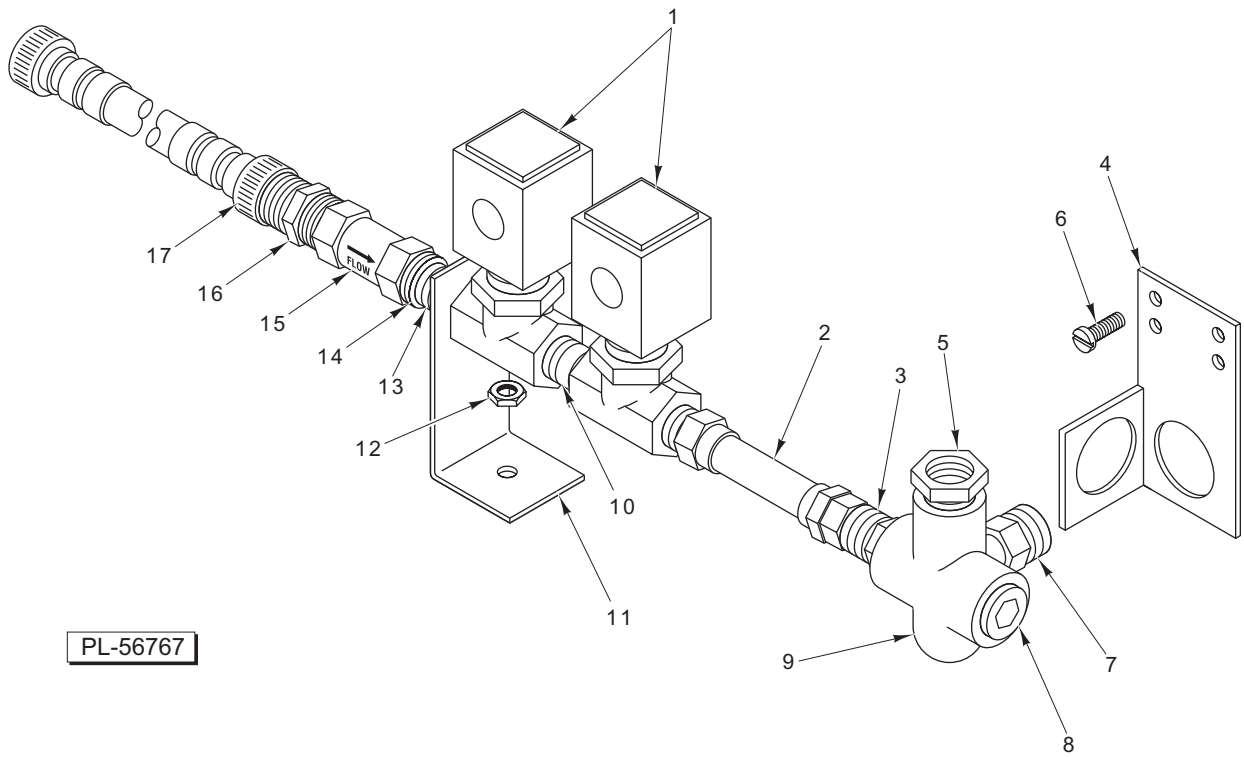


PL-56766

DOOR

DOOR

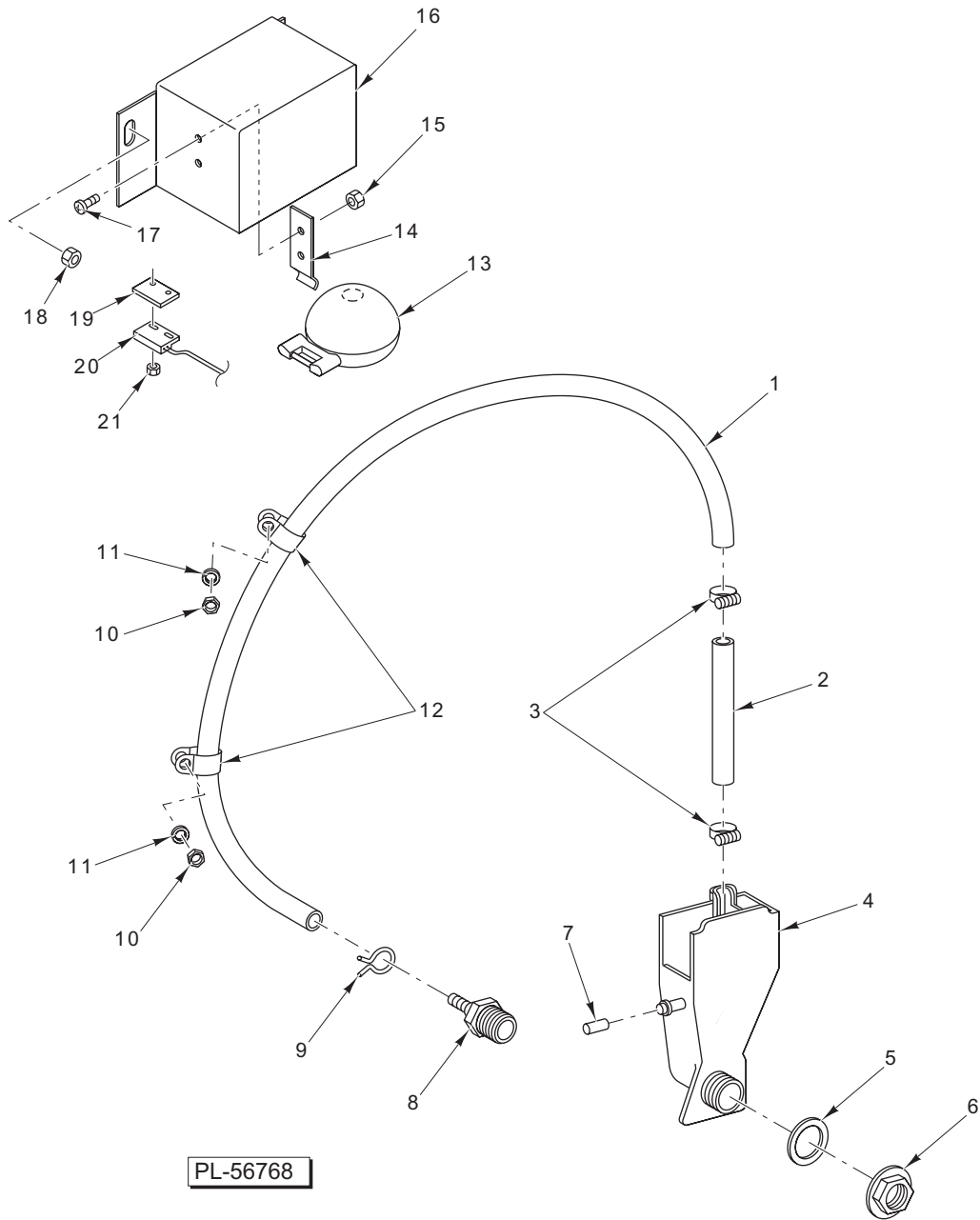
ILLUS.	PART NO.	NAME OF PART	AMT.
PL-56766			
1	00-814046	Door – Catch.....	1
2	SC-125-15	Mach. Screw 1/4-20 x 1/2 Phil. Truss Hd. (SST).....	2
3	00-812464	Gasket – Plate Mounting	1
4	00-602481	Nut M12	1
5	00-812465	Plate – Mounting.....	1
6	00-812374	Seal – Tank	1
7	00-812321-00001	Trim – Tank (RH).....	1
8	SD-026-09	Self-Tapping Screw 10-16 x 1/2 Phil. Truss Hd., Type AB (SST)	4
9	SC-125-15	Mach. Screw 1/4-20 x 1/2 Phil. Truss Hd. (SST).....	2
10	00-812312	Hinge Pin & Plate Assy. (RH).....	1
11	00-435096	Spring – Counterbalance	2
12	00-812494	Bushing – Hinge Pin	2
13	00-813611	Door Assy. – Welded.....	1
14	00-812311	Hinge Pin & Plate Assy. (LH)	1
15	00-812321-00002	Trim – Tank (LH)	1
16	SC-125-83	Mach. Screw 1/4-20 x 1/2 Phil. Flat Hd. (SST)	2
	00-118038-00002	Regulator – Pressure (1/2 In.).....	1
	00-270259	Plug – Branch	1
	00-270260	Screen – Strainer (1/2 In.).....	1
	00-270261	Gasket	1
	00-082238	Screw – Thumb.....	1
	00-186922	Strainer – Line (3/4 In.) (Brass).....	1
	00-067500-00059	O-Ring	1



LOWER FILL (SR24C)

LOWER FILL (SR24C)

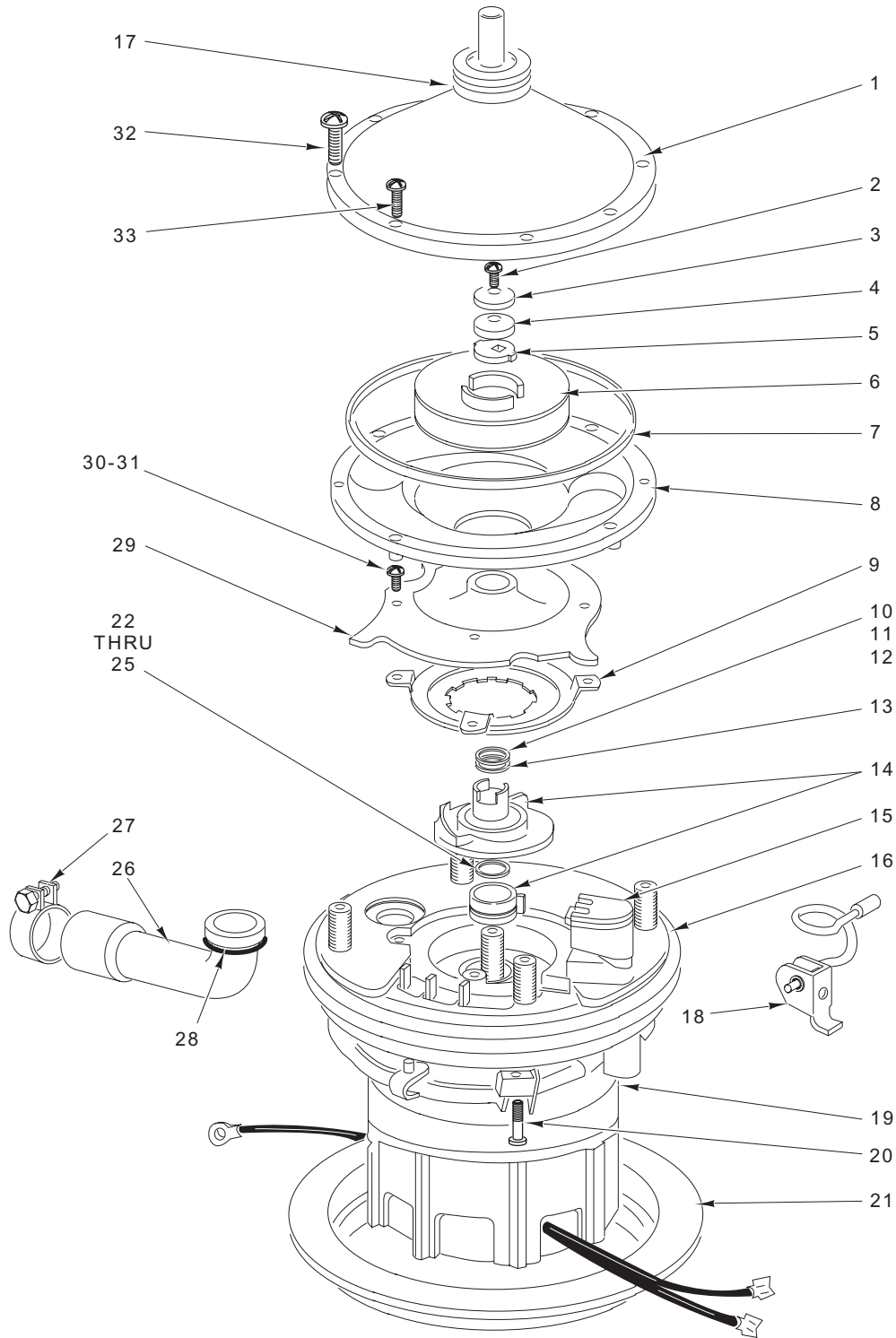
ILLUS.	PART NO.	NAME OF PART	AMT.
PL-56767			
1	00-270239-00001	Valve – Solenoid $\frac{3}{8}$ In. (115 V., Incls. Coil).....	2
2	00-812736	Piping – Fill	1
3	FP-027-10	Bushing – Pipe $\frac{1}{2}$ to $\frac{3}{8}$	1
4	00-812367	Bracket – Thermometer Bulb.....	1
5	00-107218	Coupling – Thermometer Bulb.....	1
6	SD-008-25	Self-Tapping Screw 10-16 x $\frac{1}{2}$ Phil. Pan Hd., Type B	2
7	00-277919	Barb Fitting – Straight.....	1
8	FP-066-04	Plug – Pipe $\frac{1}{2}$	1
9	00-066394	Manifold – Thermometer Bulb.....	1
10	FP-075-17	Pipe $\frac{3}{8}$ x $\frac{3}{4}$ TBE	1
11	00-813531	Bracket – Piping Support.....	1
12	NS-031-16	Stop Nut 10-24 Hex	1
13	FP-075-17	Pipe $\frac{3}{8}$ x $\frac{3}{4}$ TBE	1
14	FP-027-10	Bushing – Pipe $\frac{1}{2}$ to $\frac{3}{8}$ (Used With Item 15).....	1
15	00-186864-00002	Valve – Flow (Field Installed if Required).....	1
16	FP-081-15	Fitting – Hose (Used With Item 15).....	1
17	00-293625	Hose – Fill (74 In.)	1
	00-270380	Coil – Solenoid Valve (115 V.).....	1
	00-270381	Kit – Solenoid Valve.....	1
	00-118038-00002	Regulator – Pressure ($\frac{1}{2}$ In.).....	1
	00-270259	Plug – Branch	1
	00-270260	Screen – Strainer ($\frac{1}{2}$ In.).....	1
	00-270261	Gasket	1
	00-082238	Screw – Thumb.....	1
	00-186922	Strainer – Line ($\frac{3}{4}$ In.) (Brass).....	1
	00-067500-00059	O-Ring	1



UPPER FILL AND FLOAT ASSEMBLY

UPPER FILL AND FLOAT ASSEMBLY

ILLUS.	PART NO.	NAME OF PART	AMT.
PL-56768			
1	00-293009-00002	Hose – Fill Air Gap.....	1
2	00-293007	Tube ³ / ₈ O.D.....	1
3	00-812621-00001	Clamp – Hose.....	2
4	00-292458	Air Gap – Fill.....	1
5	00-293014	Gasket – Fill Air Gap.....	1
6	00-116198-00003	Nut – Adapter.....	1
7	00-292621	Cap (Vinyl).....	1
8	00-277919	Hose Adapter – Barbed.....	1
9	00-082123-00002	Clamp – Hose.....	1
10	NS-011-18	Nut 10-24 Hex.....	2
11	WL-007-12	Lockwasher #10 External Shakeproof.....	2
12	00-078752-00010	Clamp – Cable.....	2
13	00-122674	Float Assy.....	1
14	00-813427	Clip – Float.....	1
15	NS-031-50	Stop Nut 6-32 Special (SST).....	2
16	00-813426	Cover – Float.....	1
17	SC-127-97	Mach. Screw 6-32 x ⁵ / ₁₆ Phil. Pan Hd. (SST).....	2
18	NS-047-82	Stop Nut ¹ / ₄ -20 Special (SST).....	1
19	00-813428	Spacer – Reed Switch.....	1
20	00-813425	Switch – Reed.....	1
21	NS-046-14	Stop Nut 4-40 Special (SST).....	2
	00-293008	Air Gap Assy. – Fill (Incls. Items 2, 3, 4, & 7).....	1

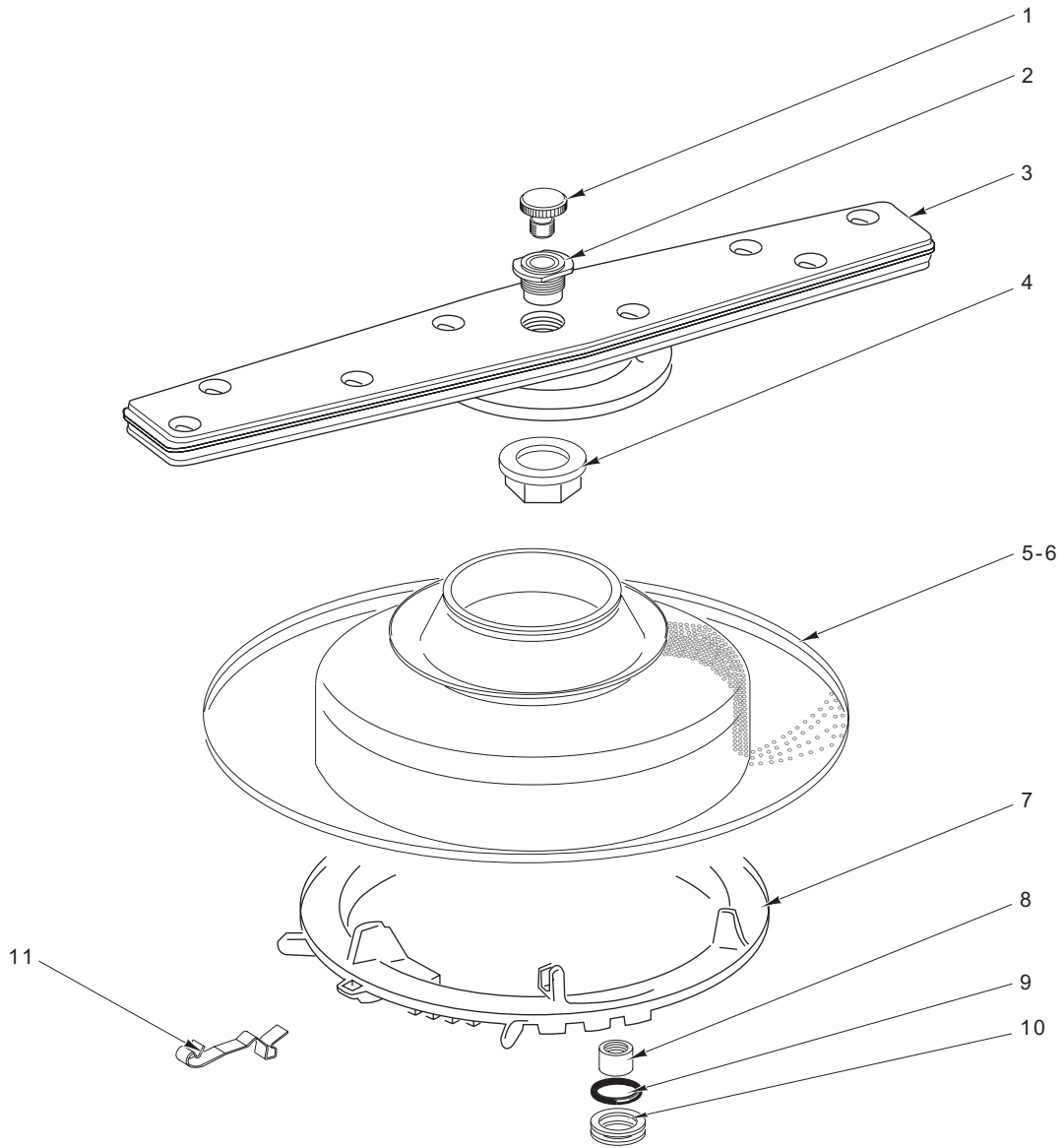


PL-56769

WASH AND DRAIN PUMP

WASH AND DRAIN PUMP

ILLUS. PL-56769	PART NO.	NAME OF PART	AMT.
1	00-435103	Support Assy. – Wash Arm (Incls. Item 17).....	1
2	SC-066-19	Mach. Screw 10-32 x 7/16 Phil. Truss Hd. (SST).....	1
3	00-083752	Washer – Spring (Impeller).....	2
4	00-107114	Cap – Motor Shaft.....	1
5	00-081492	Washer – Key.....	1
6	00-241053	Impeller – Wash Pump.....	1
7	00-435544	Gasket – Ring (Wash Pump).....	1
8	00-436060	Pump Housing – Lower.....	1
9	00-115453	Top – Drain Pump.....	1
10	00-240361	Washer – Shim (0.005 In. Thk.).....	AR
11	00-240360	Washer – Shim (0.015 In. Thk.).....	AR
12	00-240359	Washer – Shim (0.030 In. Thk.).....	AR
13	00-067500-00030	O-Ring.....	1
14	00-435102	Kit – Seal and Drain Impeller (Incls. Items 3, 10, 11, 13, & 22 thru 25).....	1
15	00-115525	Channel – Drain (Top Half).....	1
16	00-436059	Plate – Motor Mounting.....	1
17	00-436106	Ring – Seal.....	1
18	00-240106	Clamp Assy. – Motor.....	2
19	00-328511	Gasket Assy. – Motor & Seal (120/208-240/60/1) (Incls. Items 14 & 21).....	1
20	SC-018-71	Mach. Screw 1/4-20 x 1 Phil. Pan Hd.....	4
21	00-115716	Gasket – Motor Mounting Plate.....	1
22	00-240357	Washer – Shim (0.005 In. Thk.).....	AR
23	00-240358	Washer – Shim (0.015 In. Thk.).....	AR
24	00-240356	Washer – Shim (0.030 In. Thk.).....	AR
25	00-240229	Washer – Shim (0.048 In. Thk.).....	AR
26	00-116003	Connector – Overhead.....	1
27	00-240202-00001	Clamp – Hose (1.468 In. Dia.).....	1
28	00-812917	Washer.....	1
29	00-115681-00002	Cover – Inlet.....	1
30	SC-093-04	Mach. Screw 8-32 x 1/2 Phil. Pan Hd. (SST).....	4
31	WS-023-03	Washer.....	4
32	SC-109-58	Mach. Screw 10-24 x 1 Phil. Pan Hd. (SST).....	4
33	00-812669	Mach. Screw 10-24 x 3/4 Phil. Truss Hd. (SST).....	4

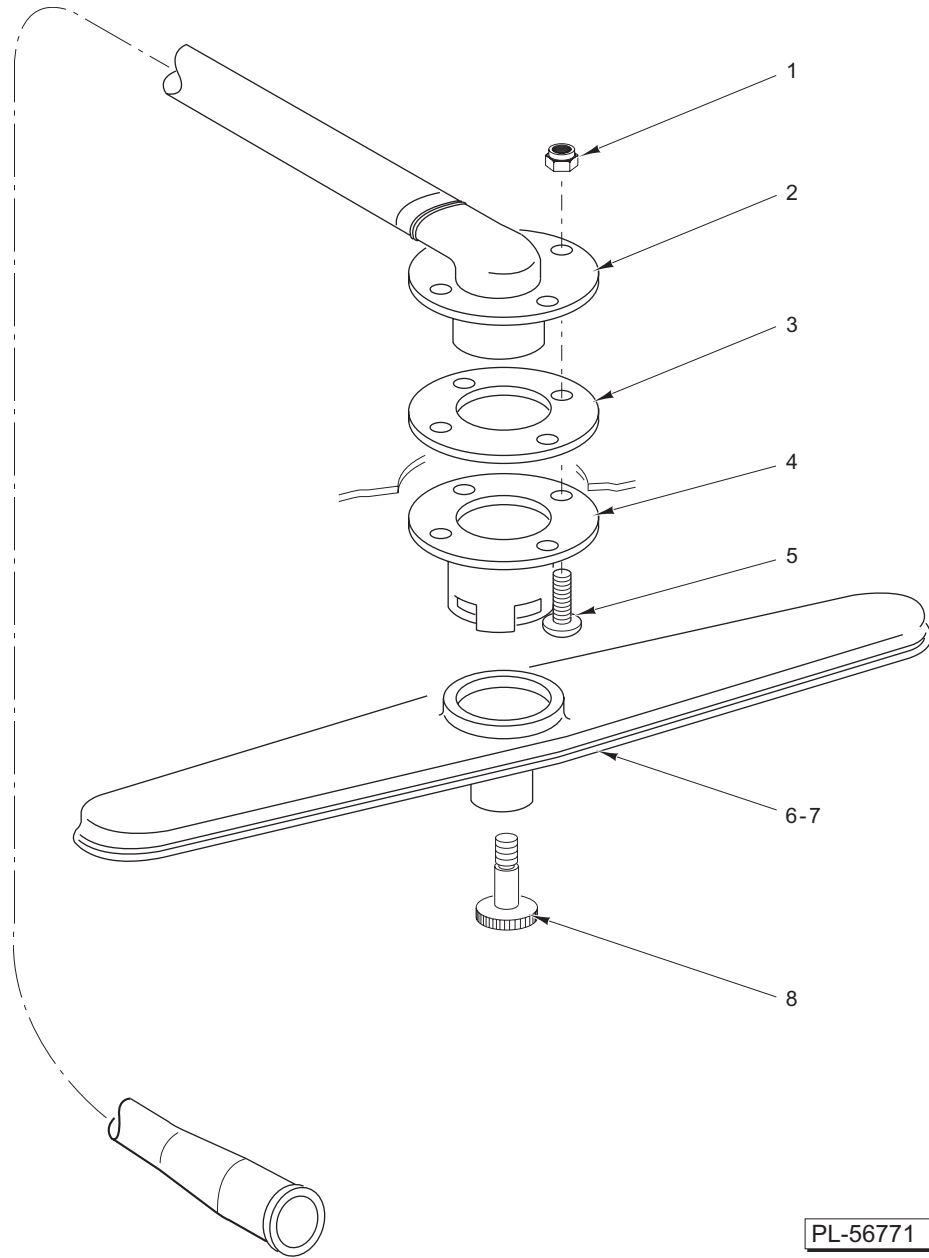


PL-56770

WASH ARM AND STRAINER

WASH ARM AND STRAINER

ILLUS.	PART NO.	NAME OF PART	AMT.
PL-56770			
1	00-436111	Screw – Wash Arm Retaining	1
2	00-436108	Guide – Wash Arm.....	1
3	00-435527	Arm – Wash (Incls. Items 2 & 4)	1
4	00-436109	Nut – Wash Arm.....	1
5	00-435528	Strainer (Previous Construction).....	1
6	00-814186	Strainer Assy. (Current Construction)	1
7	00-115479-00003	Seat – Strainer	1
8	00-185616	Nut – Thermostat	1
9	00-067500-00124	O-Ring	1
10	WS-029-99	Washer.....	1
11	00-292345	Clip – Locator.....	2

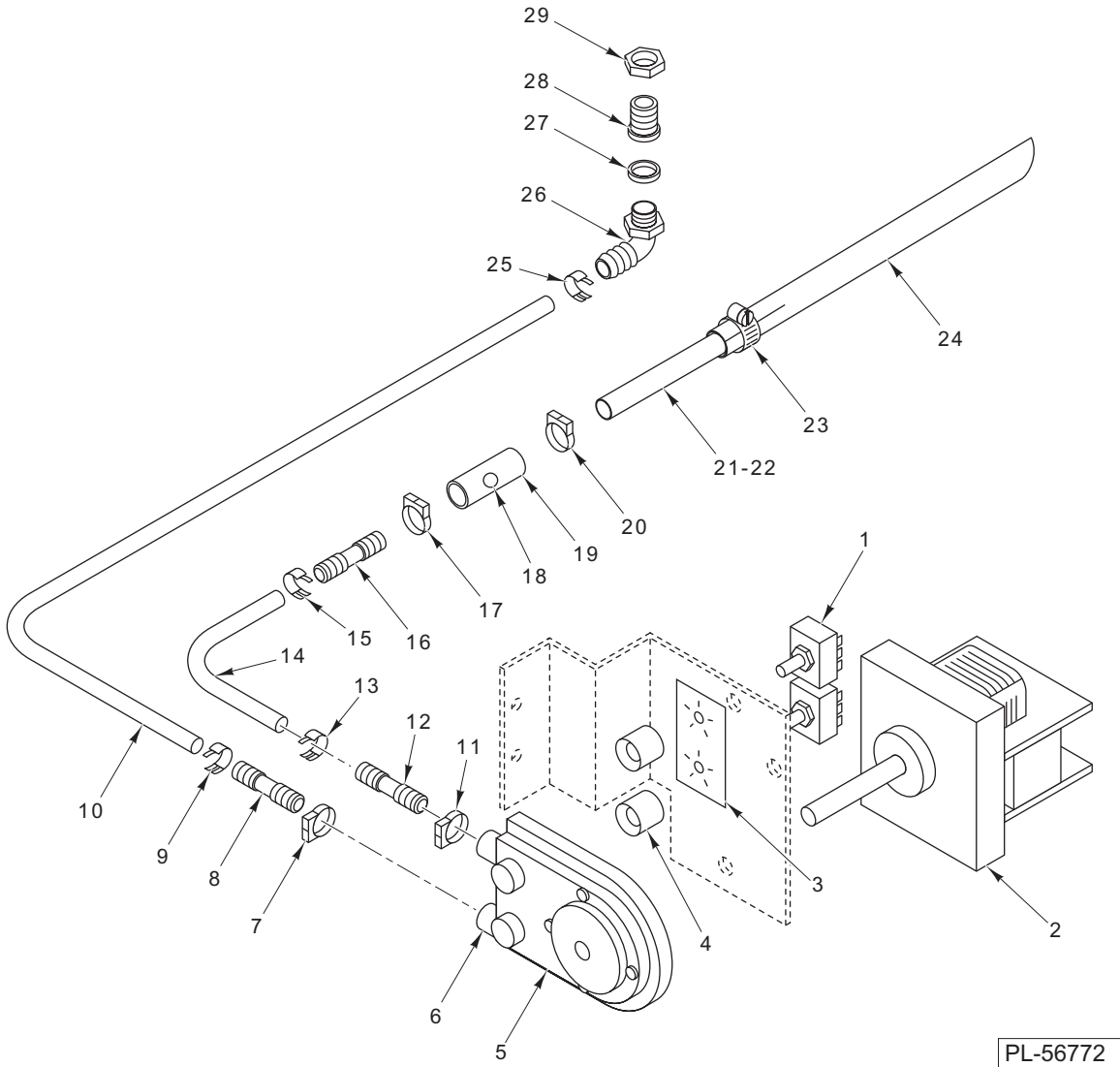


PL-56771

UPPER WASH ARM

UPPER WASH ARM

ILLUS.	PART NO.	NAME OF PART	AMT.
PL-56771			
1	NS-031-15	Stop Nut 10-24 Hex	4
2	00-436126	Feedpipe Assy. – Upper Wash Arm	1
3	00-436125	Gasket – Upper Wash Arm	1
4	00-185668	Bearing – Upper Wash Arm	1
5	SC-127-89	Mach. Screw 10-24 x 5/8 Phil. Truss Hd. (SST).....	4
6	00-165091-00001	Arm Assy. – Upper Wash (Previous Construction)	1
7	00-165091	Arm – Upper Wash (Current Construction).....	1
8	00-813760	Screw – Arm Retaining	1

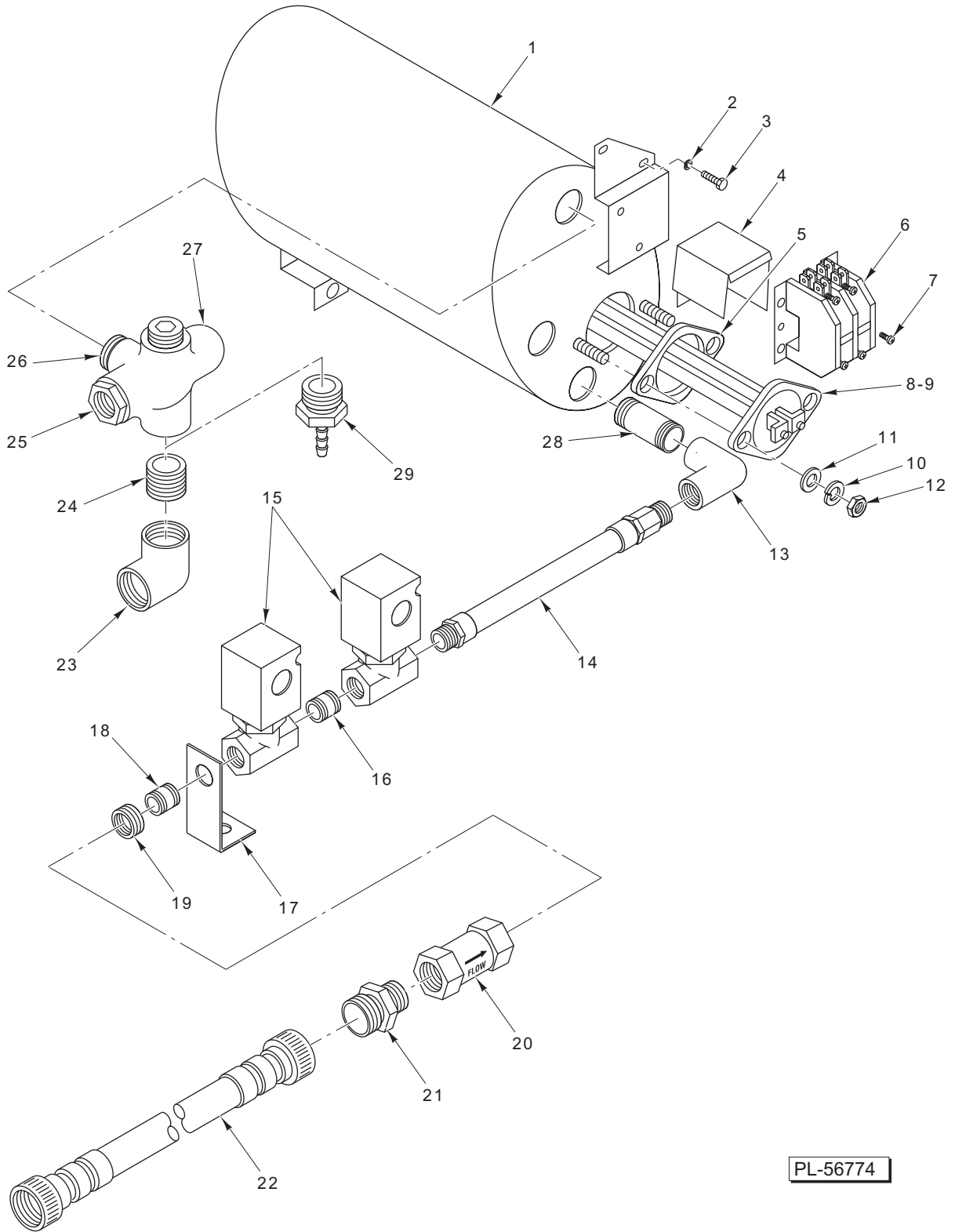


PL-56772

SANITIZER (SR24C)

SANITIZER (SR24C)

ILLUS. PL-56772	PART NO.	NAME OF PART	AMT.
1	00-087711-00204	Switch – Rotary (Incls. Washer & Nut).....	2
2	00-185097-00001	Motor Assy. – Pump (115 V., 60 Hz.)	1
3	00-892995	Label (Sani-Cycle)	1
4	00-294713	Knob – Rotary Switch	2
5	00-329871	Pump – Chemical	1
6	00-328252	Tubing – Chemical	1
7	00-185111-00001	Clamp – Hose (Plastic)	1
8	00-122870	Connector – Line	1
9	00-113156-00001	Clamp – Spring (Steel) (Ces-66)	1
10	00-123213-00010	Tubing 18 In. Lg. (Vinyl).....	1
11	00-185111-00001	Clamp – Hose (Plastic)	1
12	00-122870	Connector – Line	1
13	00-113156-00001	Clamp – Spring (Steel) (Ces-66)	1
14	00-123213-00005	Tubing ⁵ / ₁₆ x 56 In. Lg.....	1
15	00-113156-00001	Clamp – Spring (Steel) (Ces-66)	1
16	00-122870	Connector – Line	1
17	00-185111-00001	Clamp – Hose (Plastic)	1
18	BA-002-42	Ball ³ / ₁₆ Dia.....	1
19	00-538147	Tube (Plastic).....	1
20	00-185111-00001	Clamp – Hose (Plastic)	1
21	00-185105-00012	Tubing ¹ / ₄ In. O.D., 22 In. Lg. (Previous Construction).....	1
22	00-185105-00025	Tubing ¹ / ₄ In. O.D., 84 In. Lg. (Current Construction).....	1
23	00-812621-00001	Clamp – Metal Pipe	1
24	00-185112	Pipe – Stand 20 ¹ / ₂ In. Lg.....	1
25	00-113156-00001	Clamp – Sprint (Steel) (Ces-66)	1
26	00-122419-00001	Elbow	1
27	00-115840	Gasket – Bulkhead Adapter	1
28	00-270478	Adapter – Bulkhead	1
29	00-116198-00003	Nut – Adapter.....	1

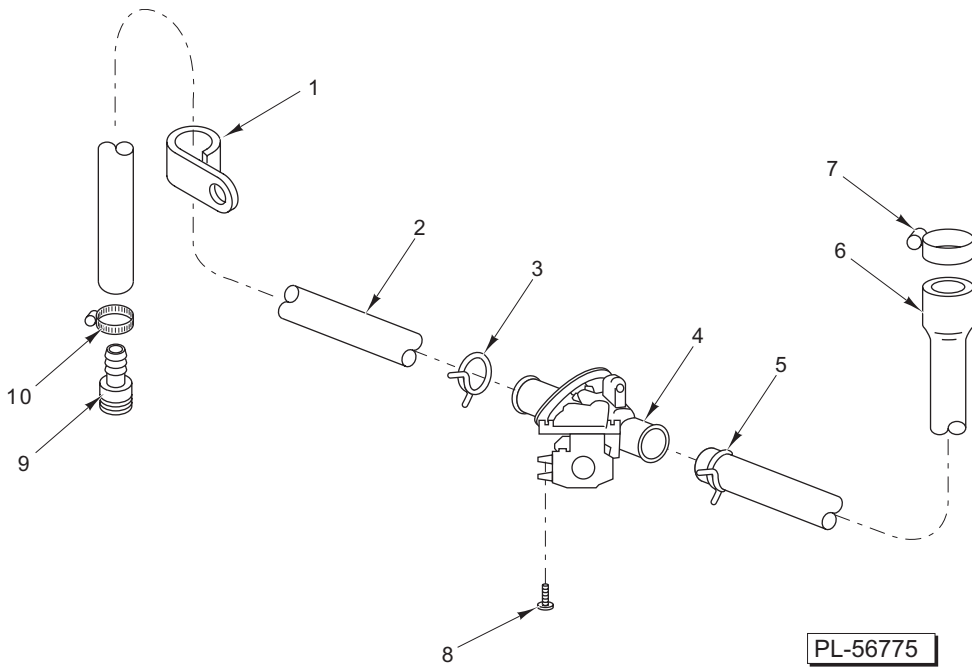


PL-56774

HOT WATER BOOSTER (SR24H)

HOT WATER BOOSTER (SR24H)

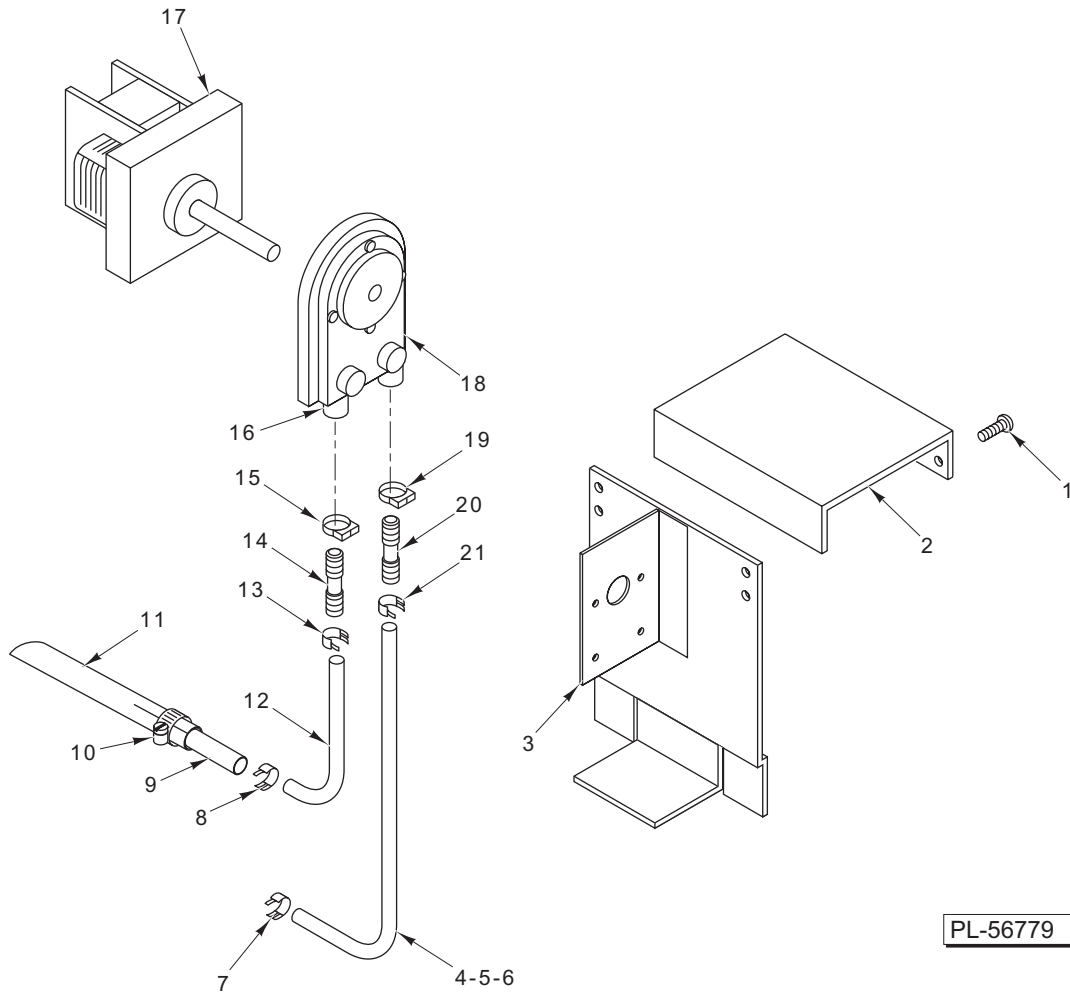
ILLUS. PL-56774	PART NO.	NAME OF PART	AMT.
1	00-812435	Tank Assy. – Booster.....	1
2	WL-006-17	Lockwasher 1/4 Helical (SST).....	2
3	SC-041-50	Cap Screw 1/4-20 x 1/2 Hex Hd.....	2
4	00-812803	Barrier – Contactor.....	1
5	00-293598	Gasket – Heater Mounting.....	1
6	00-087713-085-1	Contactor (110-120 V., 60 Hz.).....	1
7	SD-008-25	Self-Tapping Screw 10-16 x 1/2 Phil. Pan Hd., Type B.....	2
8	00-270413-00002	Heater Element Assy. (240 V./1 Ph.).....	AR
9	00-270413-00003	Heater Element Assy. (208 V./1 Ph.).....	AR
10	WL-006-22	Lockwasher 5/16 Helical (SST).....	2
11	WS-017-21	Washer (SST).....	2
12	NS-015-11	Nut 5/16-18 Hex (SST).....	2
13	FP-015-09	Elbow 3/8 x 90 Deg.....	1
14	00-812735	Piping – Inlet Fill.....	1
15	00-270239-00001	Valve – Solenoid 3/8 In. (Incls. Coil).....	2
16	FP-040-18	Pipe 3/8 x 1 TBE.....	1
17	00-813531	Bracket – Piping Support.....	1
18	FP-075-17	Pipe 3/8 x 3/4 TBE (Used With Item 20).....	1
19	FP-027-10	Bushing – Pipe 1/2 to 3/8 (Used With Item 20).....	1
20	00-186864-00002	Valve – Flow (Field Installed if Required).....	1
21	FP-081-15	Fitting – Hose.....	1
22	00-293625	Hose – Fill (74 In.).....	1
23	FP-015-16	Elbow 1/2 x 90 Deg. (Previous Construction).....	1
24	FP-040-42	Pipe (Brass) (Previous Construction).....	1
25	00-107218	Coupling – Thermometer Bulb.....	1
26	FP-040-42	Pipe (Brass).....	1
27	00-066394	Manifold – Thermometer Bulb.....	1
28	FP-040-25	Pipe 3/8 x 2 5/8 TBE.....	1
29	00-277919	Fitting – Barb (Current Construction).....	1
	00-270380	Coil – Solenoid Valve 3/8 In. (115 V.).....	1
	00-270381	Kit – Solenoid Valve.....	1
	00-294681-015-1	Thermostat – Booster.....	1
	00-270411	Protector – High Limit.....	1



DRAIN

DRAIN

ILLUS.	PART NO.	NAME OF PART	AMT.
PL-56775			
1	00-294677-00004	Clamp – Wire	1
2	00-292856	Hose – Drain	1
3	00-102004-00002	Clamp – Tube	1
4	00-270399-00003	Valve Assy. – Drain (120 V., 60 Hz.)	1
5	00-102004-00002	Clamp – Tube	1
6	00-814286	Tube – Flex Drain	1
7	00-240202-00003	Clamp – Hose	1
8	SD-008-25	Self-Tapping Screw 10-16 x 1/2 Phil. Pan Hd., Type B	2
9	00-186527	Adapter – Hose	1
10	00-544424	Clamp – Hose	1
	00-111690	Nut – Y Drain Connector	1
	00-111691	Washer – Y Drain Connector	1

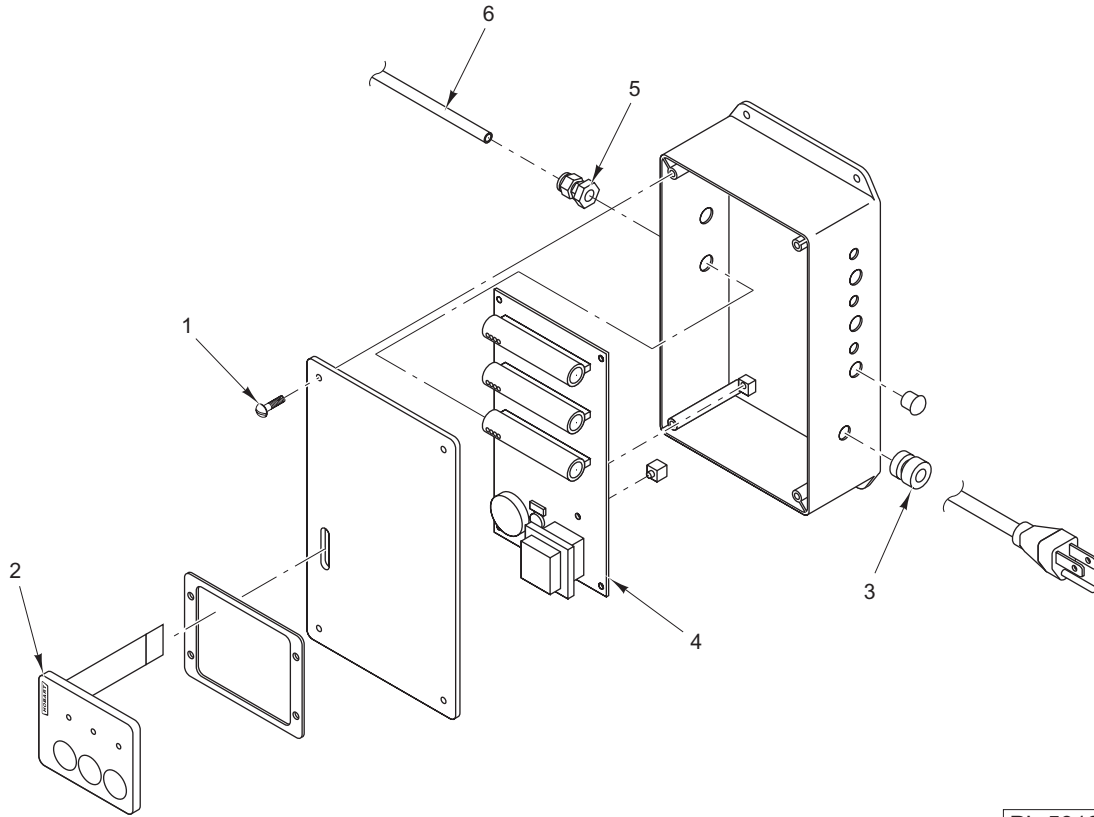


PL-56779

DETERGENT/RINSE AGENT KIT (OPTIONAL)

DETERGENT/RINSE AGENT KIT (OPTIONAL)

ILLUS.	PART NO.	NAME OF PART	AMT.
PL-56779			
1	SD-008-18	Self-Tapping Screw 8-18 x 3/8 Phil. Bndg. Hd., Type B	2
2	00-813504	Shield – Water (For Pump)	1
3	00-812572	Bracket – Dispenser Mounting (SR24C).....	1
4	00-812398-00005	Tube (54 In.) (Plastic) (For Rinse Pump) (Previous Construction)	1
5	00-812398-00004	Tubing (45 In.) (Plastic) (For Det. Pump) (Previous Construction)	1
6	00-185105-00026	Tubing (93 In.) (Current Construction)	1
7	00-113156-00001	Clamp – Spring Action Hose	1
8	00-113156-00001	Clamp – Spring Action Hose	1
9	00-185105-00012	Tubing (22 In.).....	1
10	00-812621-00001	Clamp – Hose	1
11	00-185112	Stand Pipe	1
12	00-123213-00005	Tube (56 In.)	1
13	00-113156-00001	Clamp – Spring Action Hose	1
14	00-122870	Connector – Line	1
15	00-185111-00001	Clamp – Hose (Plastic)	1
16	00-328252	Tubing – Chemical	1
17	00-185097-00001	Motor – Chemical Pump (1 Ph.)	1
18	00-329871	Pump – Chemical	1
19	00-185111-00001	Clamp – Hose (Plastic)	1
20	00-122870	Connector – Line	1
21	00-113156-00001	Clamp – Spring Action Hose	1
	00-893176	Detergent or Rinse Agent Kit, Field Installed	1
	00-293009-00005	Hose – Flexible (72 In.).....	1
	00-078752-00003	Clamp – Cable	1

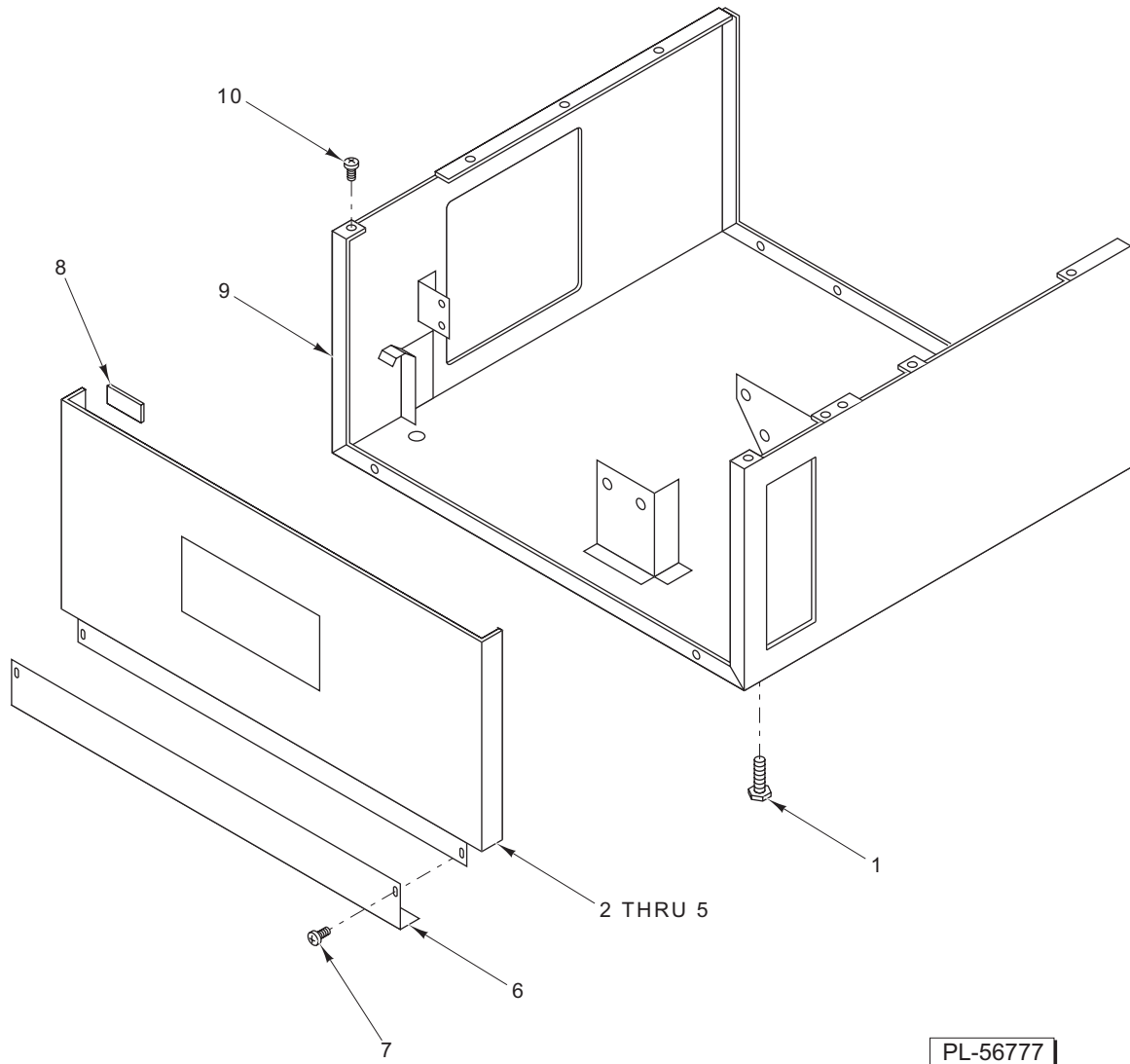


PL-59139

CHEMICAL DETECTION BOX ASSEMBLY

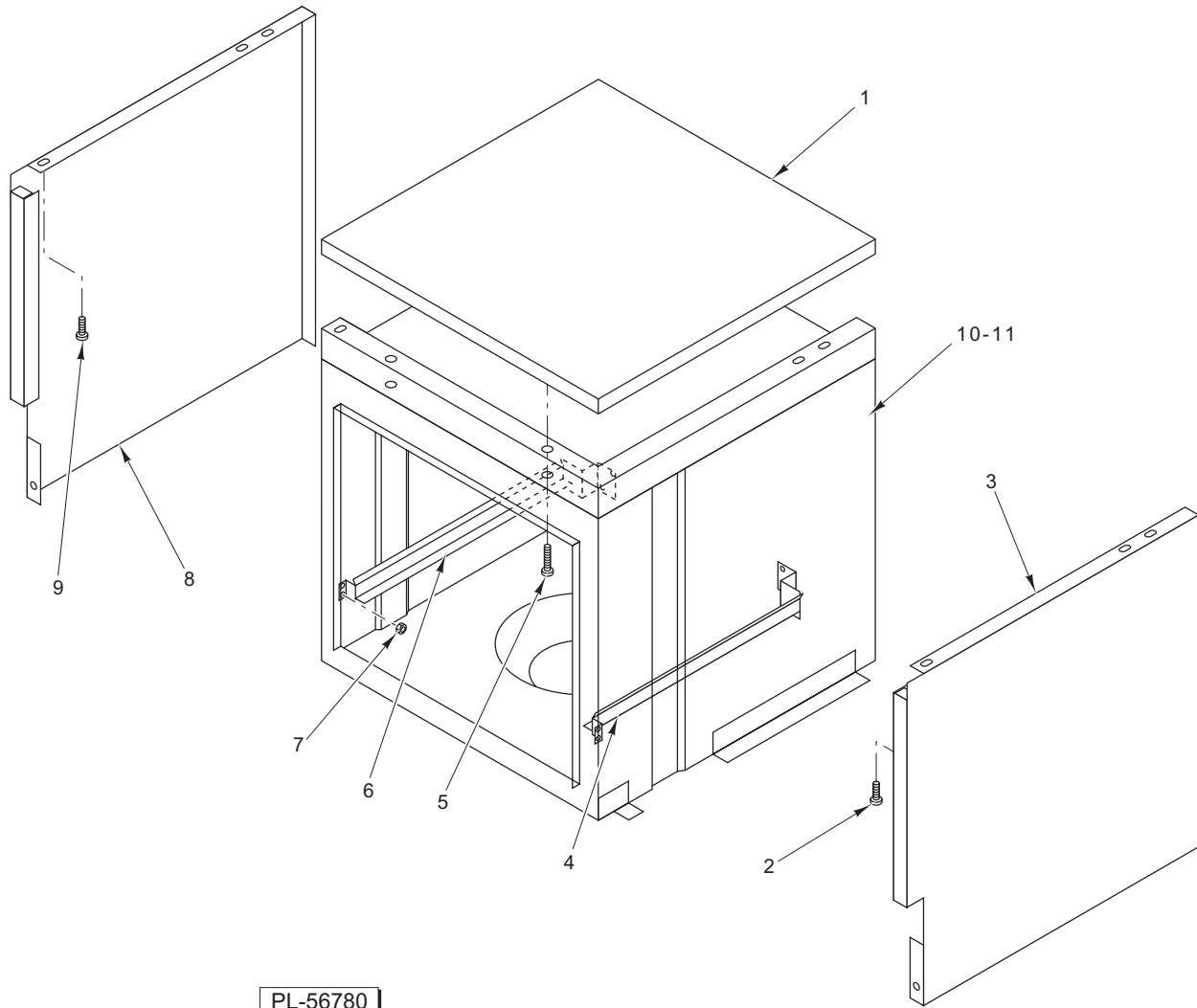
CHEMICAL DETECTION BOX ASSEMBLY

ILLUS.	PART NO.	NAME OF PART	AMT.
PL-59139			
1	SD-008-29	Self-Tapping Screw 4-24 x 5/16 Slotted Pan Hd., Type B	4
2	00-893922	Switch – Membrane (Chemical Detection)	1
3	FE-023-76	Relief – Electrical Strain.....	1
4	00-893766	Board Assy. – Chemical Module	1
5	FE-025-96	Relief – Electrical Strain.....	3
6	00-185105-00023	Tubing.....	3
	00-918092	Chemical Detection Box Assy.	1
	00-918053	Potentiometer	1
	00-918060	Harness – Keypad (From Membrane Switch to Chemical Sense Board).....	1



BASE AND PANELS

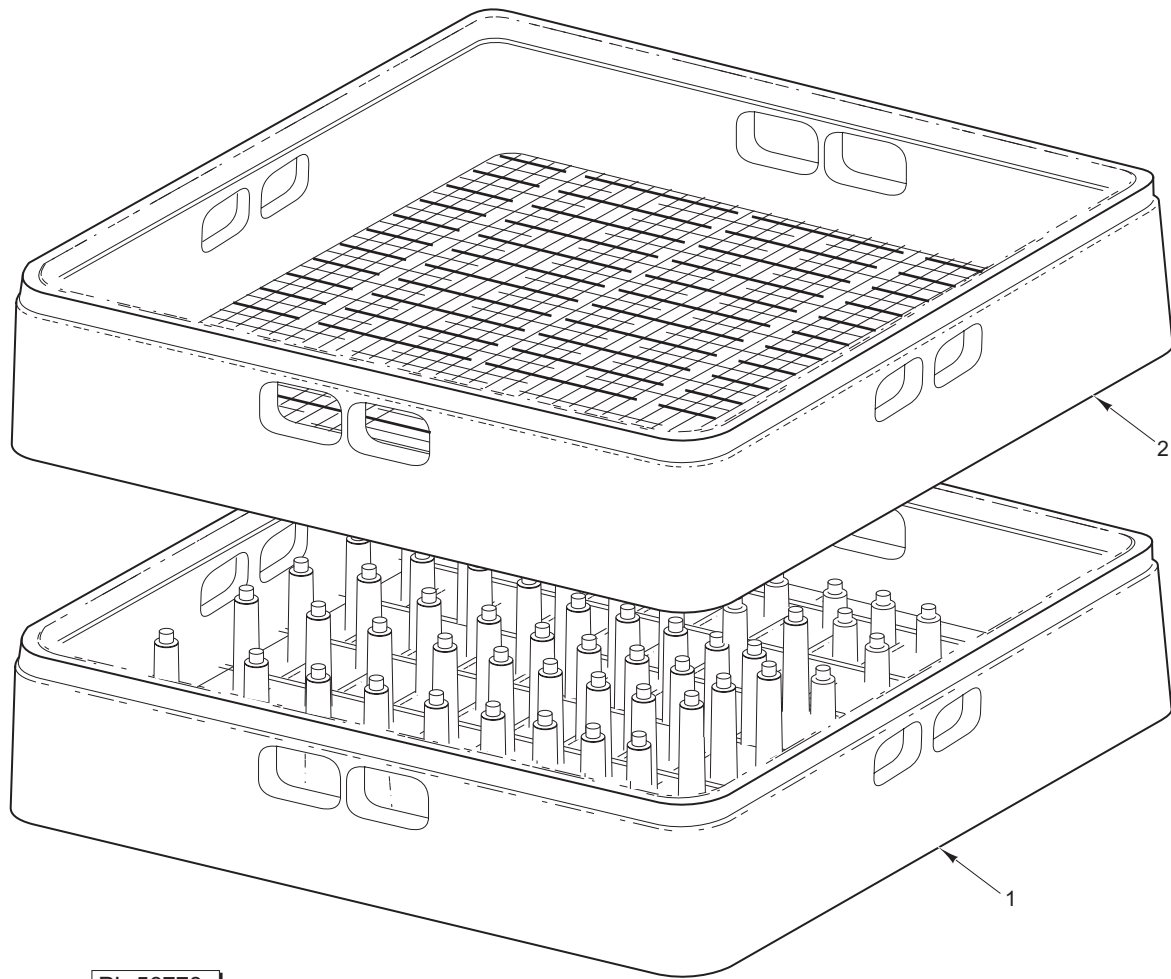
ILLUS.	PART NO.	NAME OF PART	AMT.
PL-56777			
1	00-241857	Foot – Leveling	4
2	00-892996-00001	Panel Assy. – Front (SR24C) (Previous Construction)	1
3	00-813791-00001	Panel Assy. – Front (SR24C) (Current Construction)	1
4	00-892996-00002	Panel Assy. – Front (SR24H) (Previous Construction)	1
5	00-813791-00002	Panel Assy. – Front (SR24H) (Current Construction)	1
6	00-812320	Panel – Kick.....	1
7	SC-066-06	Mach. Screw 10-24 x 1/2 Phil. Truss Hd. (SST).....	2
8	00-812374-00002	Tape – Foam (Evaporation Seal) 1/2 In. Lg.....	2
9	00-813514	Base Sub Assy. (SST).....	1
10	SD-026-09	Self-Tapping Screw 10-16 x 1/2 Phil. Truss Hd., Type AB.....	6



PL-56780

RACK TRACK AND PANEL KITS

ILLUS.	PART NO.	NAME OF PART	AMT.
PL-56780			
1	00-812458-00001	Panel – Top.....	1
2	SD-026-09	Self-Tapping Screw 10-16 x 1/2 Phil. Truss Hd., Type AB (SST)	3
3	00-812456-00001	Panel – Side (RH).....	1
4	00-812282-00001	Track – Rack (RH).....	1
5	SC-128-04	Mach. Screw 10-24 x 1 3/4 Phil. Rd. Hd. (SST)	2
6	00-812282-00002	Track – Rack (LH).....	1
7	NS-031-19	Stop Nut 1/4-20	8
8	00-812456-00002	Panel – Side (LH)	1
9	SD-026-09	Self-Tapping Screw 10-16 x 1/2 Phil. Truss Hd., Type AB (SST)	3
10	00-813518-00001	Tank Weldment (Previous Construction).....	1
11	00-814060	Tank Weldment (Current Construction).....	1
	ML-130026-Z	Top Panel Kit Field Installed	
	ML-130024-Z	Left Side Panel Kit Field Installed	
	ML-130025-Z	Right Side Panel Kit Field Installed	



PL-56778

RACK UNIT

ILLUS.	PART NO.	NAME OF PART	AMT.
PL-56778			
1	00-315191	Rack – Peg (Packaged).....	1
2	00-315193	Rack – Combination (Packaged).....	1