



CATALOG OF REPLACEMENT PARTS

LEGACY MIXER



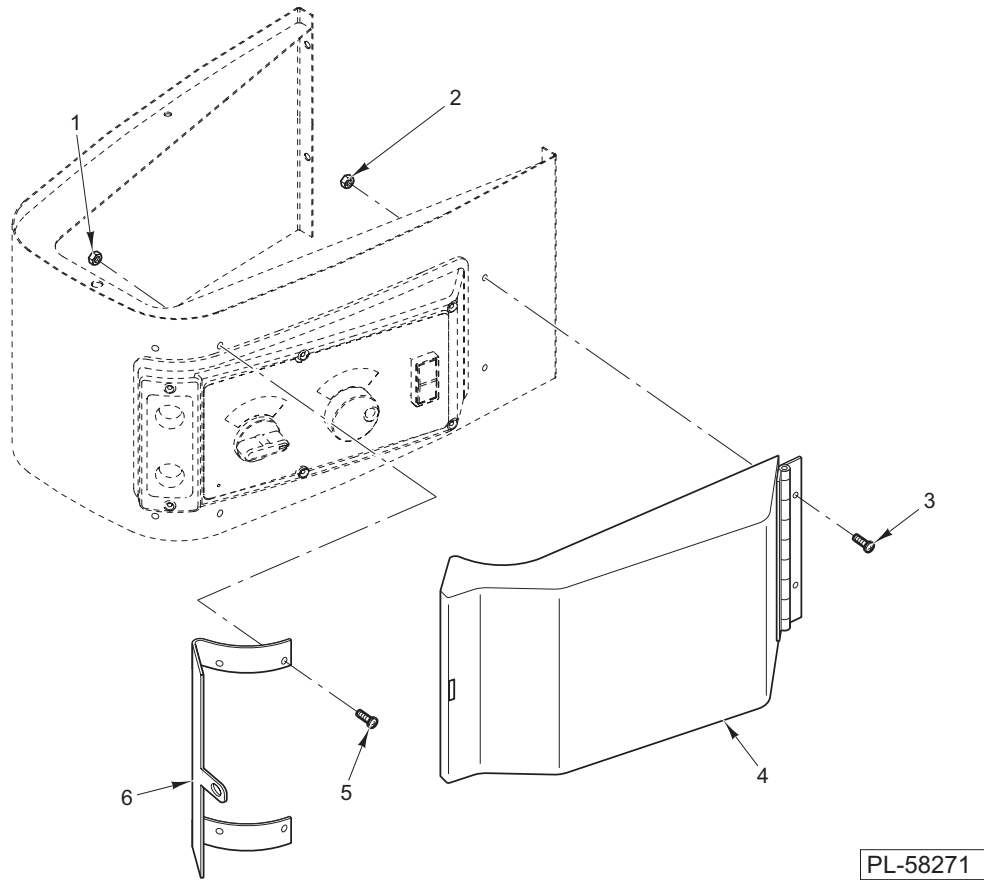
HL800	ML-134354
HL800C	ML-134355
HL1400	ML-134334
HL1400C	ML-134337
HL1400N	ML-134361

PRIOR MLS COVERED IN THIS MANUAL

HL1400	ML-134300
HL800	ML-134306
HL800C	ML-134322

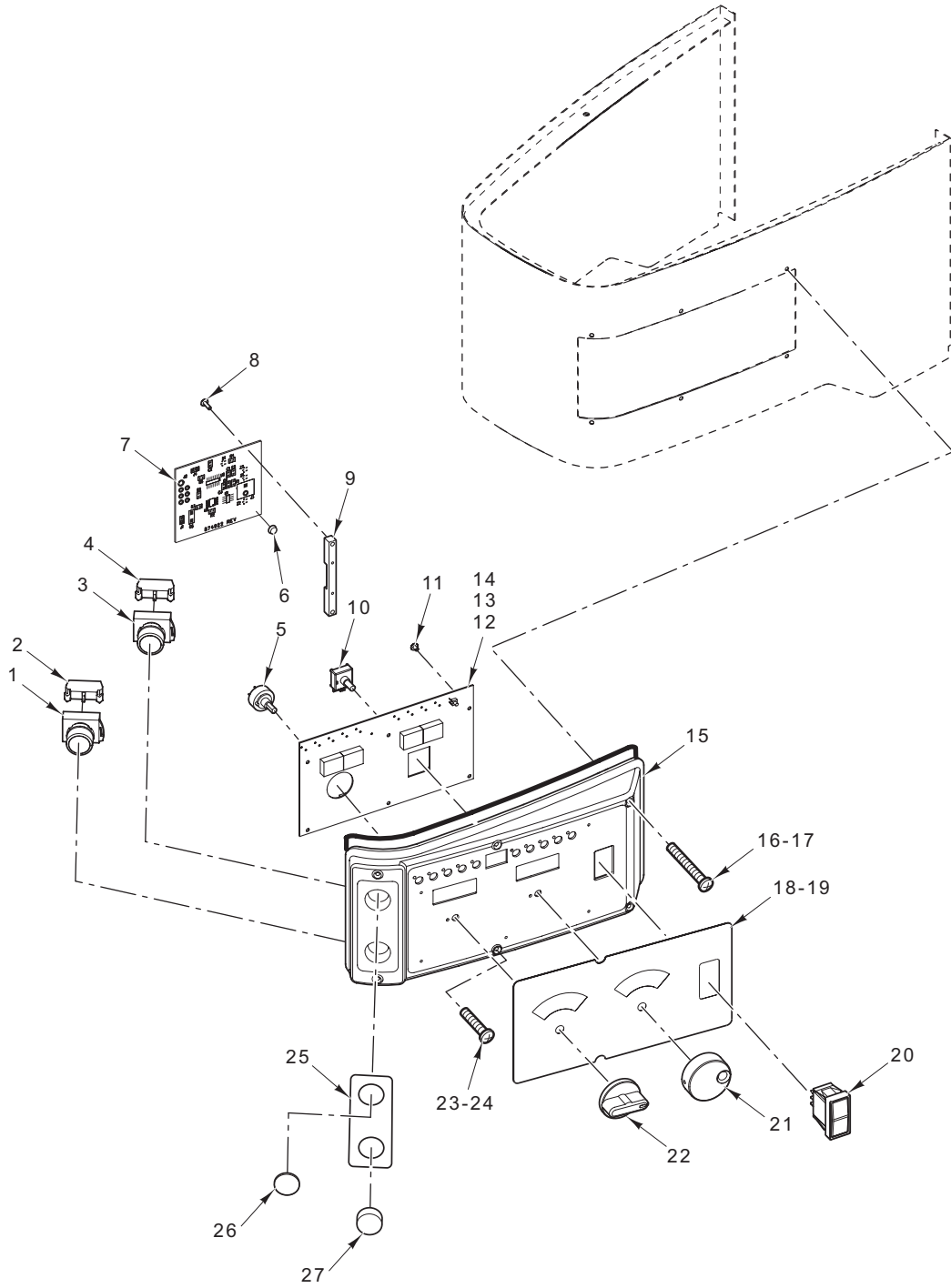
Table of Contents

3	CONTROL PANEL COVER (HL800C & HL1400C) (ML-134322, ML-134337, & ML-134355)
5	CONTROL PANEL
7	ELECTRICAL COMPONENTS (HL1400 SERIES) (ML-134300, ML-134334, ML-134337, & ML-134361)
9	ELECTRICAL COMPONENTS (HL800 SERIES) (ML-134306, ML-134322, ML-134354, & ML-134355)
11	BASE AND PEDESTAL
13	BOWL SUPPORT (ALL MODELS EXCEPT ML-134361)
15	BOWL SUPPORT (ML-134361)
17	TRANSMISSION CASE AND MOTOR
19	TRANSMISSION
20	PLANETARY (HL1400 SERIES) (ML-134300, ML-134334, ML-134337, & ML-134361)
23	PLANETARY (HL800 SERIES) (ML-134306, ML-134322, ML-134354, & ML-134355)
25	BOWL GUARD
27	AGITATORS AND ACCESSORIES (40 & 60 QUART)
29	AGITATORS AND ACCESSORIES (80 & 140 QUART)
31	BOWL AND EXTENSIONS



**CONTROL PANEL COVER (HL800C & HL1400C)
(ML-134322, ML-134337, & ML-134355)**

ILLUS.	PART NO.	NAME OF PART	AMT.
PL-58271			
1	NS-038-04	Lock Nut 1/4-20 Hex.....	4
2	NS-038-04	Lock Nut 1/4-20 Hex.....	2
3	SC-128-74	Mach. Screw 1/4-20 x 5/8 Tx. Button Hd. (SST).....	2
4	00-874526	Cover Assy.....	1
5	SC-128-74	Mach. Screw 1/4-20 x 5/8 Tx. Button Hd. (SST).....	4
6	00-874530	Hasp	1

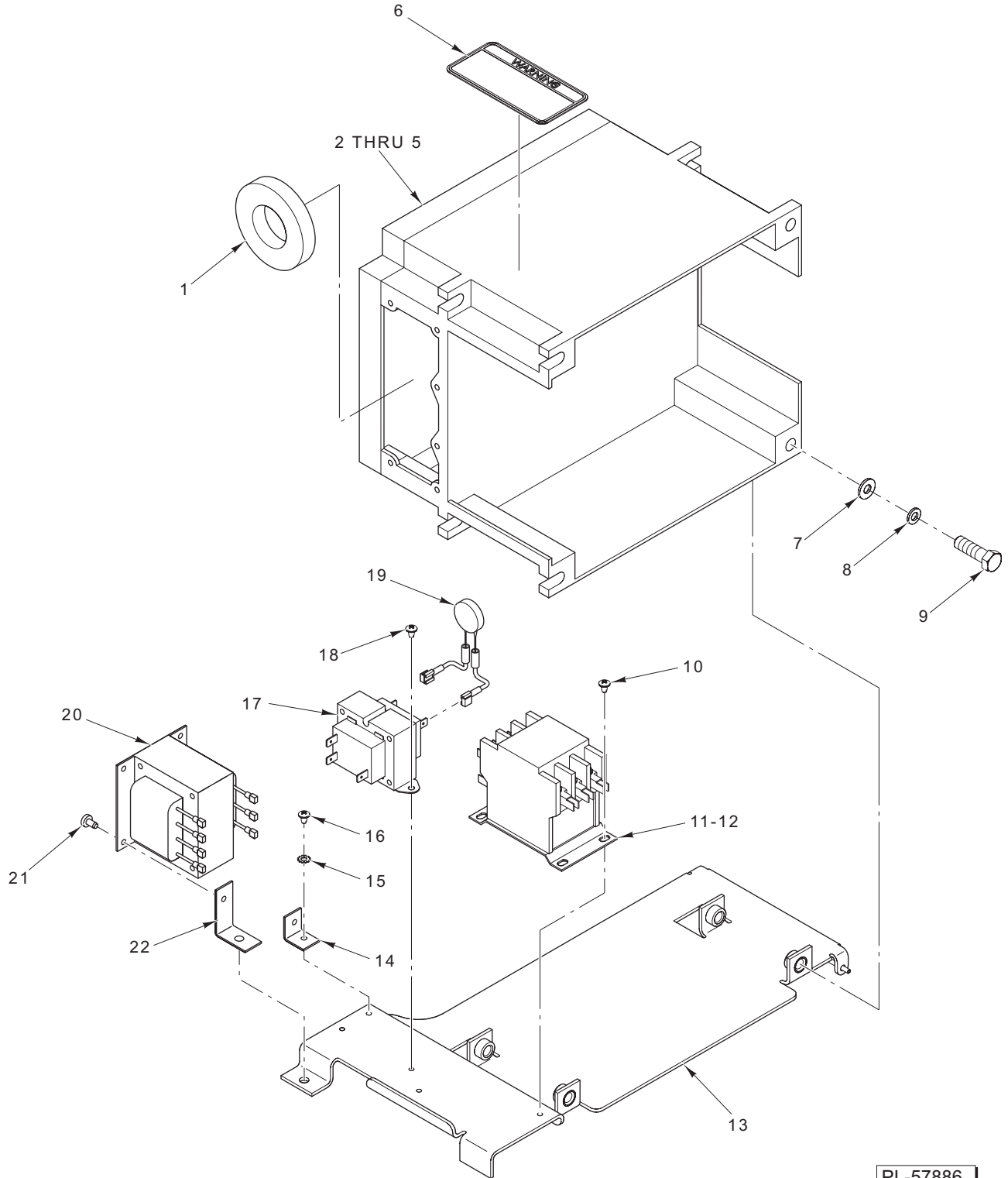


PL-58270

CONTROL PANEL

CONTROL PANEL

ILLUS.	PART NO.	NAME OF PART	AMT.
PL-58270			
1	00-478752-00002	Switch – Operator (Stop).....	1
2	00-087711-322-3	Block – Contact (Stop).....	1
3	00-478752-00001	Switch – Operator (Start).....	1
4	00-087711-322-4	Block – Contact (Start).....	1
5	00-874631	Selector – Switch Assy. (Speed Selector).....	1
6	00-916063	Bumper.....	1
7	00-916818	Interface – Circuit Board Assy.....	1
8	SD-038-49	Self-Tapping Screw 6-32 x 1/2 Hex. Washer Hd., Type RL.....	2
9	00-916061	Block – Interface.....	1
10	00-875723	Encoder Assy. (Time Selector).....	1
11	SD-039-23	Self-Tapping Screw 6-32 x 1/4 Hex. Washer Hd., Type RL.....	6
12	00-916656	PCB Assy. (Timer Board).....	1
13	00-916657	PCB Assy. (Timer Board) (With Recipe Timer).....	1
14	00-916853	PCB Assy. (Timer Board) (ML-134361).....	1
15	00-873945	Panel – Control.....	1
16	SC-128-40	Mach.Screw 8-32 x 2 1/4 Phil. Oval Hd (ML-134300, ML134306, ML-134334, ML-134354, & ML-134361).....	2
17	00-874468	Extension – Screw (ML-134322, ML-134337, & ML-134355).....	2
18	00-916231	Label – Overlay.....	1
19	00-916232	Label – Overlay (With Recipe Timer).....	1
20	00-087711-330-1	Switch – Rocker (Bowl Lift).....	1
21	00-875724	Knob – Timer.....	1
22	00-874630	Knob – Speed Selector.....	1
23	SC-128-39	Mach. Screw 8-32 x 1 1/2 Phil. Hd. (SST).....	4
24	SC-128-84	Mach. Screw 8-32 x 1 1/2 Tx. Flat Hd. (SST) (ML-134322 & ML-134337).....	4
25	00-875451	Label (Mix/Stop).....	1
26	00-478753-00001	Cap – Round Push Button (Flush).....	1
27	00-478751-00001	Cap – Round Push Button (Extended).....	1
	00-917037	Interface Board Assy. (ML-134354 & ML-134355 (Incls. Item 7).....	1

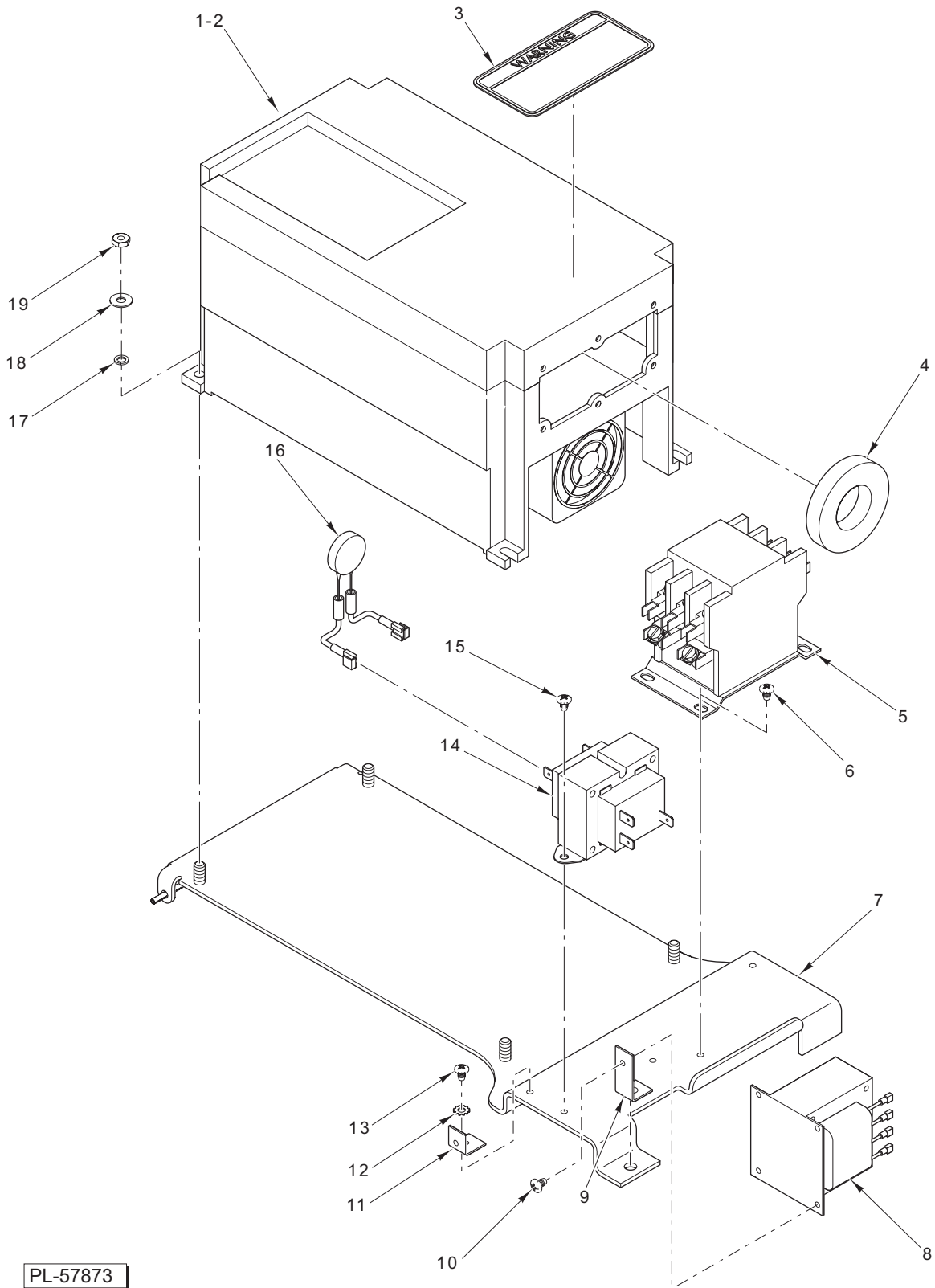


PL-57886

**ELECTRICAL COMPONENTS (HL1400 SERIES)
(ML-134300, ML-134334, ML-134337, ML-134361)**

**ELECTRICAL COMPONENTS (HL1400 SERIES)
(ML-134300, ML-134334, ML-134337, & ML-134361)**

ILLUS. PL-57886	PART NO.	NAME OF PART	AMT.
1	00-916185-00001	Ferrite	1
2	00-916183-00001	Drive – Controller (230 V.) (ML-134300, ML-134334, & ML-134337)	1
3	00-916877-00001	Drive – Controller (230 V.) (ML-134361)	1
4	00-916183-00002	Drive – Controller (460 V.) (ML-134300, ML-134334, & ML-134337)	1
5	00-916877-00002	Drive – Controller (460 V.) (ML-134361)	1
6	00-438131-00174	Label – Warning	1
7	WS-006-36	Washer	4
8	WL-004-02	Lockwasher ³ / ₈ Helical	4
9	SC-118-09	Cap Screw ³ / ₈ -16 x 1 ¹ / ₄ Hex. Hd.	4
10	SD-015-39	Self-Tapping Screw 8-32 x ¹ / ₄ Phil. Pan Hd., Type TT	2
11	00-087713-107-4	Contactora (30 Amp./Aux., 3 Ph.) (ML-134300, ML-134334, & ML-134337)	1
12	00-087713-107-5	Contactora (30 Amp./Aux., 3 Ph.) (ML-134361)	1
13	00-875974	Plate – Drive Mount Assy.	1
14	00-916586	Bracket – Transformer (460 V.) (ML-134334 & ML-134337)	1
15	WL-007-06	Lockwasher #8 External	1
16	SD-015-39	Self-Tapping Screw 8-32 x ¹ / ₄ Phil. Pan Hd., Type TT	1
17	00-294500-00054	Transformer (208-240 V.)	1
18	SD-015-39	Self-Tapping Screw 8-32 x ¹ / ₄ Phil. Pan Hd., Type TT	2
19	00-916176	IC MOV Sub-Assy. (230 V.)	1
20	00-916588	Transformer (460 V.) (ML-134300, ML-134334, & ML-134337)	1
21	SD-015-20	Self-Tapping Screw 10-32 x ³ / ₈ Phil. Pan Hd., Type TT (ML-134334 & ML-134337)	2
22	00-916587	Bracket – Transformer Front (460 V.) (ML-134334 & ML-134337)	1

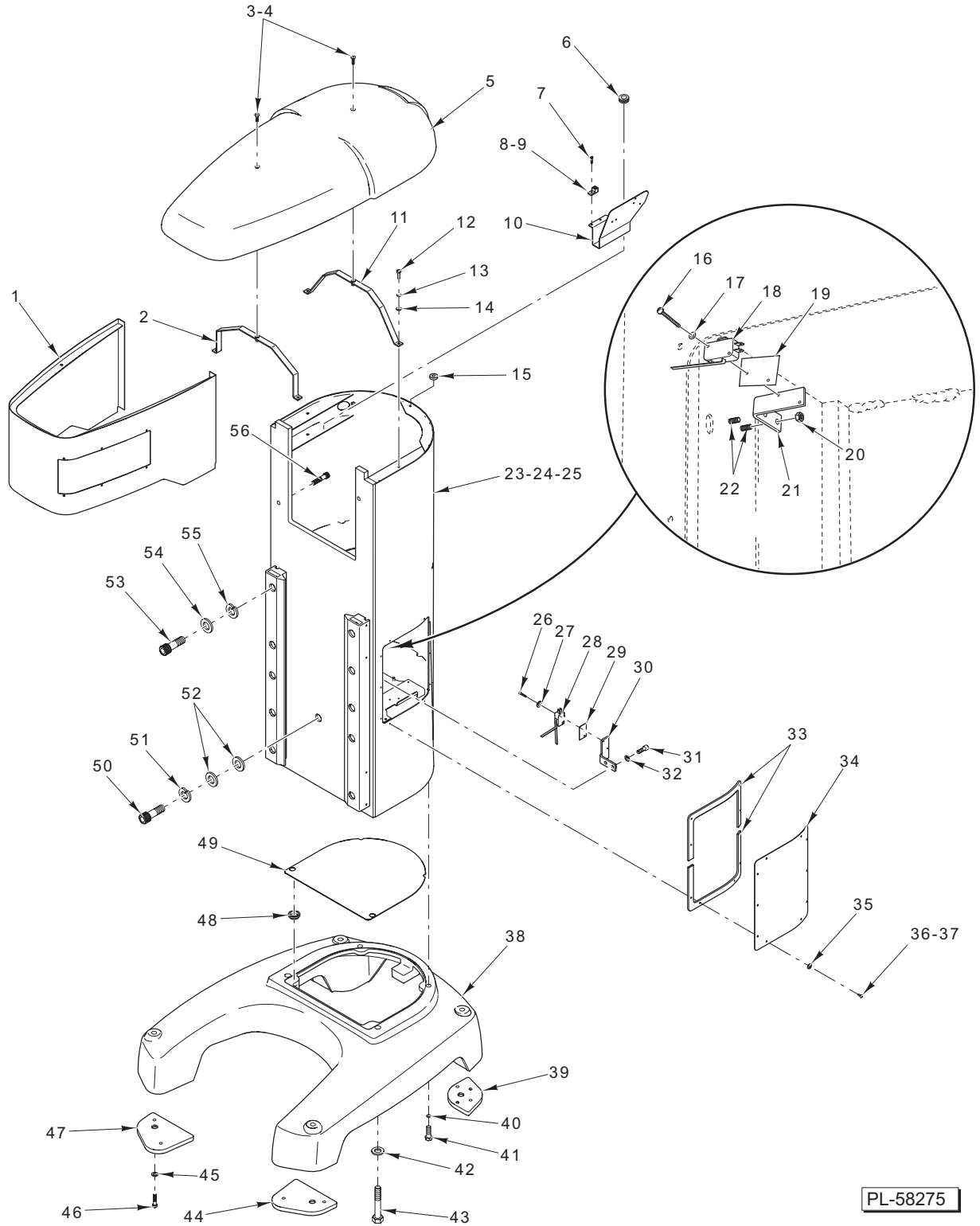


PL-57873

**ELECTRICAL COMPONENTS (HL800 SERIES)
(ML-134306, ML-134322, ML-134354, & ML-134355)**

**ELECTRICAL COMPONENTS (HL800 SERIES)
(ML-134306, ML-134322, ML-134354, & ML-134355)**

ILLUS. PL-57873	PART NO.	NAME OF PART	AMT.
1	00-916184-00003	Drive – Controller (230 V.)	1
2	00-916184-00004	Drive – Controller (460 V.)	1
3	00-438131-00174	Label – Warning.....	1
4	00-916185-00001	Ferrite	1
5	00-087713-107-4	Contactora (30 Amp./Aux., 3 Ph.).....	1
6	SD-015-39	Self-Tapping Screw 8-32 x 1/4 Phil. Pan Hd., Type TT	2
7	00-916098	Plate – Drive Mount Assy.....	1
8	00-916588	Transformer (460 V.).....	1
9	00-916587	Bracket – Transformer Front (460 V.)	1
10	SD-015-20	Self-Tapping Screw 10-32 x 3/8 Phil. Pan Hd. Type TT	2
11	00-916586	Bracket – Transformer (460 V.).....	1
12	WL-007-06	Lockwasher #8 External	1
13	SD-015-39	Self-Tapping Screw 8-32 x 1/4 Phil. Pan Hd., Type TT	1
14	00-294500-00054	Transformer (208-240 V.).....	1
15	SD-015-39	Self-Tapping Screw 8-32 x 1/4 Phil. Pan Hd., Type TT	2
16	00-916176	IC MOV Sub-Assy. (230 V.)	1
17	WS-002-51	Washer.....	4
18	WL-003-22	Lockwasher #10 Helical.....	4
19	NS-009-22	Nut 10-24 Hex.....	4

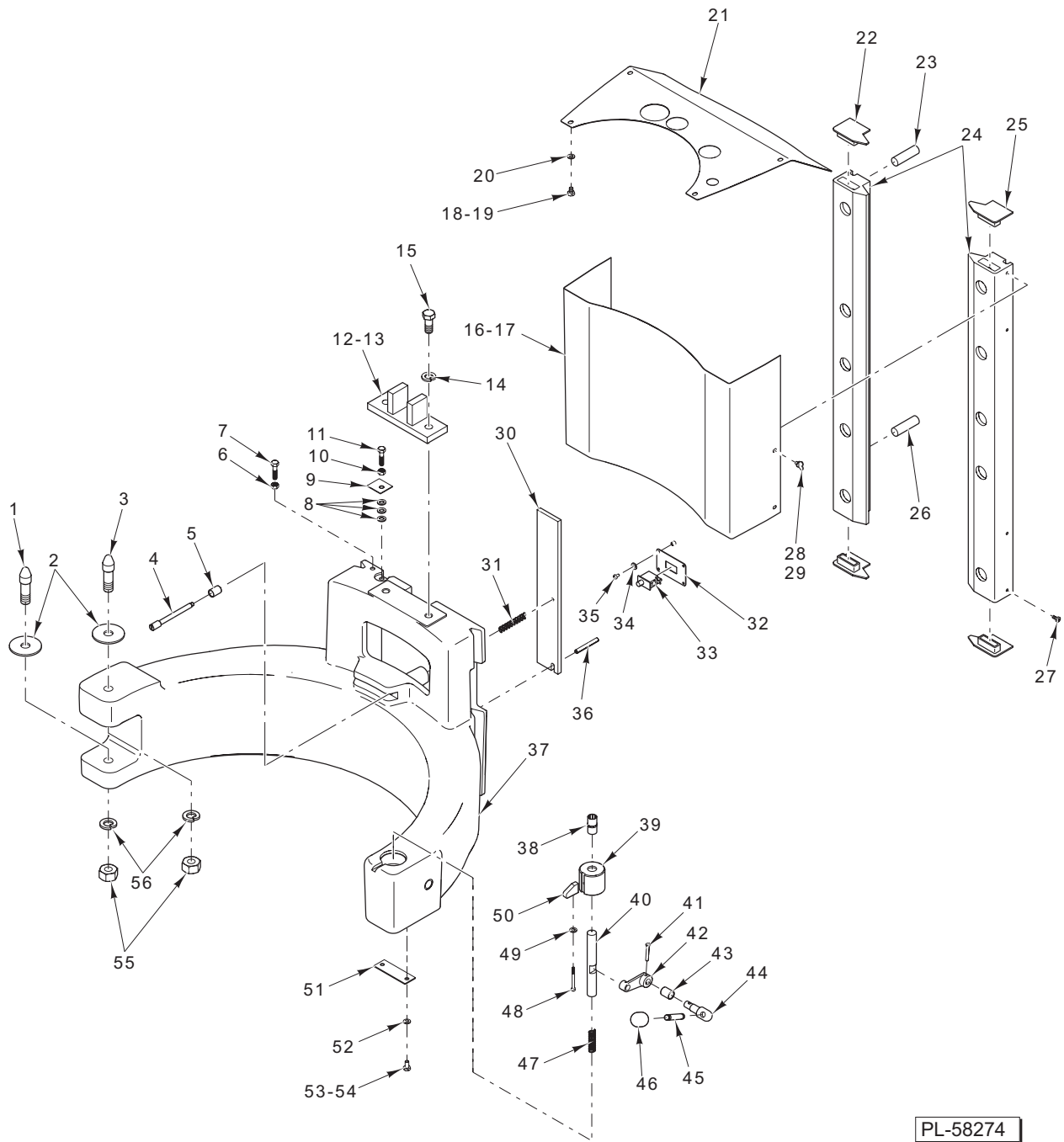


PL-58275

BASE AND PEDESTAL

BASE AND PEDESTAL

ILLUS.	PART NO.	NAME OF PART	AMT.
	PL-58275		
1	00-875860	Wrapper Assy. – Transmission.....	1
2	00-874569	Strap Assy. – Top Cover.....	1
3	SC-120-29	Mach. Screw 1/4-20 x 1 Phil. Oval Hd. (ML-134300, ML-134306, ML-134334, ML-134354, & ML-134361).....	2
4	SC-128-63	Mach. Screw 1/4-20 x 2 Tx. Flat Hd. (SST) (ML-134322, ML-134337, & ML-134355).....	1
5	00-875786	Top – Cover.....	1
6	FE-021-13	Grommet.....	1
7	SD-029-02	Self-Tapping Screw 10-24 Slotted Pan Hd., Type F.....	2
8	00-118544-00002	Lug – Ground (ML-134300, ML-134306, ML-134322, ML-134334, ML-134337, & ML-134361).....	1
9	00-118544-00001	Lug – Ground (ML-134354 & ML-134355).....	1
10	00-916173	Shield – Wire.....	1
11	00-874571	Strap Assy. – Top Cover.....	1
12	SC-036-06	Cap Screw 1/4-20 x 1 Hex Hd.....	5
13	WL-003-38	Lockwasher 1/4 Helical.....	4
14	WS-003-43	Washer.....	4
15	FE-024-23	Bushing – Electric Snap.....	1
16	SC-060-40	Mach. Screw 4-40 x 5/8 Slotted Rd. Hd. (All Models Except ML-134361).....	2
17	WL-003-03	Lockwasher # 4 Helical (All Models Except ML-134361).....	2
18	00-087711-00248	Switch – Bowl Height (All Models Except ML-134361).....	1
19	00-873376	Insulator (All Models Except ML-134361).....	1
20	NS-009-30	Nut 10-32 Hex (All Models Except ML-134361).....	2
21	00-874578	Bracket – Bowl Height Switch (All Models Except ML-134361).....	1
22	00-113631-00040	Stud – Self-Clinching (All Models Except ML-134361).....	2
23	00-916056-00002	Pedestal (ML-134306, ML-134322, ML-134354, & ML-134355).....	1
24	00-916051-00002	Pedestal (ML-134300, ML-134334, & ML-134337).....	1
25	00-916672-00002	Pedestal (ML-134361).....	1
26	SC-060-40	Mach. Screw 4-40 x 5/8 Slotted Rd. Hd. (All Models Except ML-134361).....	2
27	WL-003-03	Lockwasher # 4 Helical (All Models Except ML-134361).....	2
28	00-087711-00248	Switch – Down Limit (All Models Except ML-134361).....	1
29	00-873376	Insulator (All Models Except ML-134361).....	1
30	00-873371	Bracket – Down Limit Switch (All Models Except ML-134361).....	1
31	SC-089-02	Cap Screw 1/4-20 x 3/4 Hex Socket Hd. (All Models Except ML-134361).....	2
32	WL-003-38	Lockwasher 1/4 Helical (All Models Except ML-134361).....	2
33	00-875815	Seal – Side Panel.....	2
34	00-874386-00001	Cover – Side.....	1
35	WS-023-22	Washer (SST).....	8
36	SD-009-41	Self-Tapping Screw 8-32 x 3/8 Phil. Pan Hd. (SST) (ML-134300, ML-134306, ML-134334, ML-134354, & ML-134355).....	8
37	SC-128-66	Mach. Screw 8-32 x 1/2 Tx. Button Hd. (SST) (ML-134322, ML-134337, & ML-134355).....	8
38	00-873960-003-2	Base.....	1
39	00-874149	Pad – Foot (Rear).....	2
40	WL-004-11	Lockwasher 1/2 Helical.....	2
41	SC-037-01	Cap Screw 1/2-13 x 1 1/2 Hex Hd.....	2
42	WL-004-19	Lockwasher 5/8 Helical.....	2
43	SC-037-36	Cap Screw 5/8-11 x 3 1/2 Hex Hd.....	2
44	00-874150	Pad – Foot (Left).....	2
45	WS-005-49	Washer.....	8
46	SC-110-03	Cap Screw 3/8-16 x 3/4 Socket Hex Hd.....	8
47	00-874153	Pad – Foot (Right).....	1
48	00-072201	Washer – Bevel.....	4
49	00-874327	Plate – Pedestal Bottom.....	1
50	SC-110-55	Cap Screw 1/2-30 x 1 1/4 Socket Hex Hd.....	1
51	WL-004-11	Lockwasher 1/2 Helical.....	1
52	WS-008-04	Washer.....	2
53	SC-040-69	Cap Screw 1/2-20 x 2 Hex Soc. Hd.....	10
54	WL-004-11	Lockwasher 1/2 Helical.....	10
55	WS-008-04	Washer.....	10
56	SC-120-38	Cap Screw 5/16-18 x 1 Hex Hd.....	4
	00-916443-00001	Seal.....	1
	00-478683	Symbol – Warning High Voltage.....	1

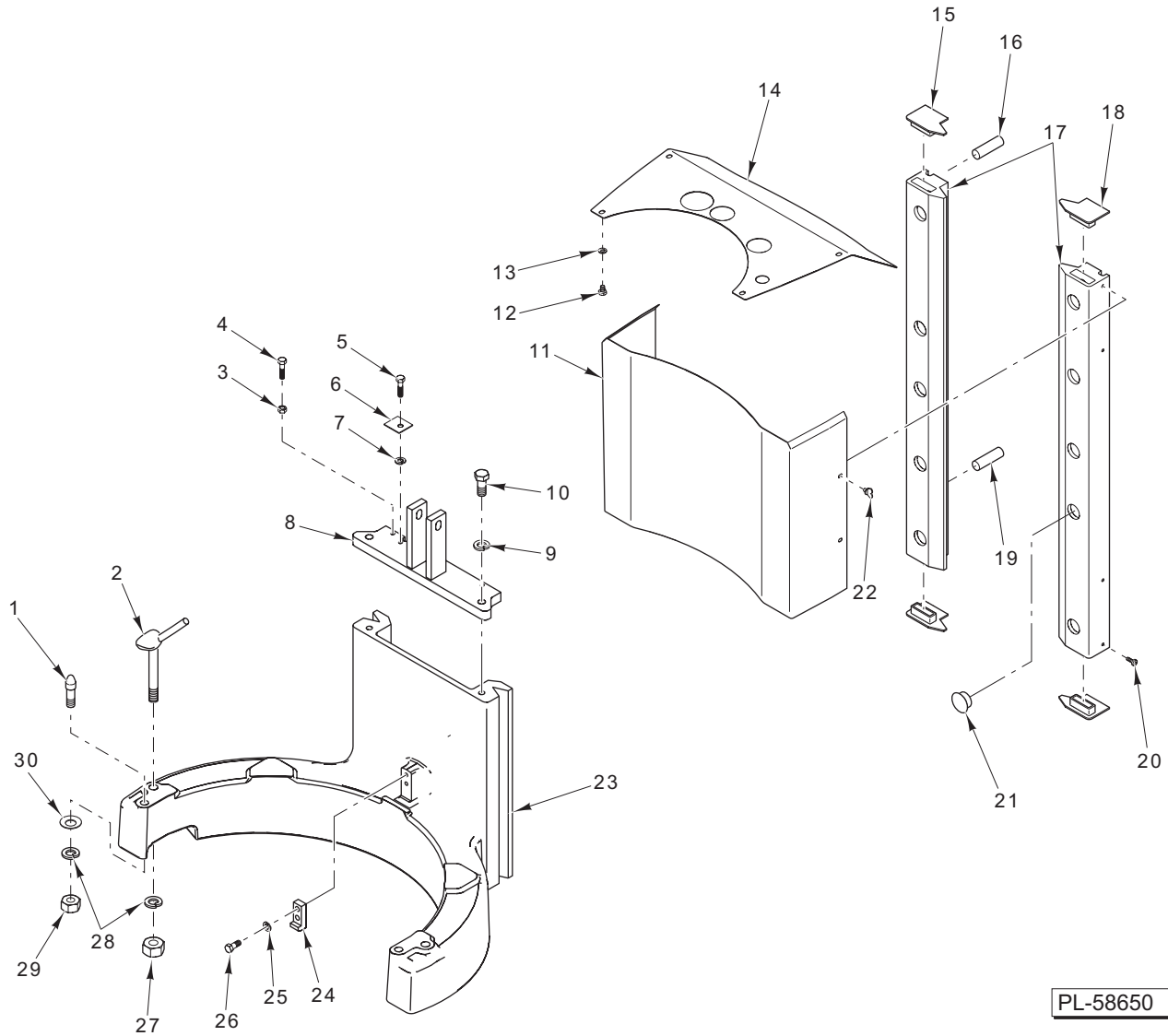


PL-58274

**BOWL SUPPORT
(ALL MODELS EXCEPT ML-134361)**

BOWL SUPPORT (ALL MODELS EXCEPT ML-134361)

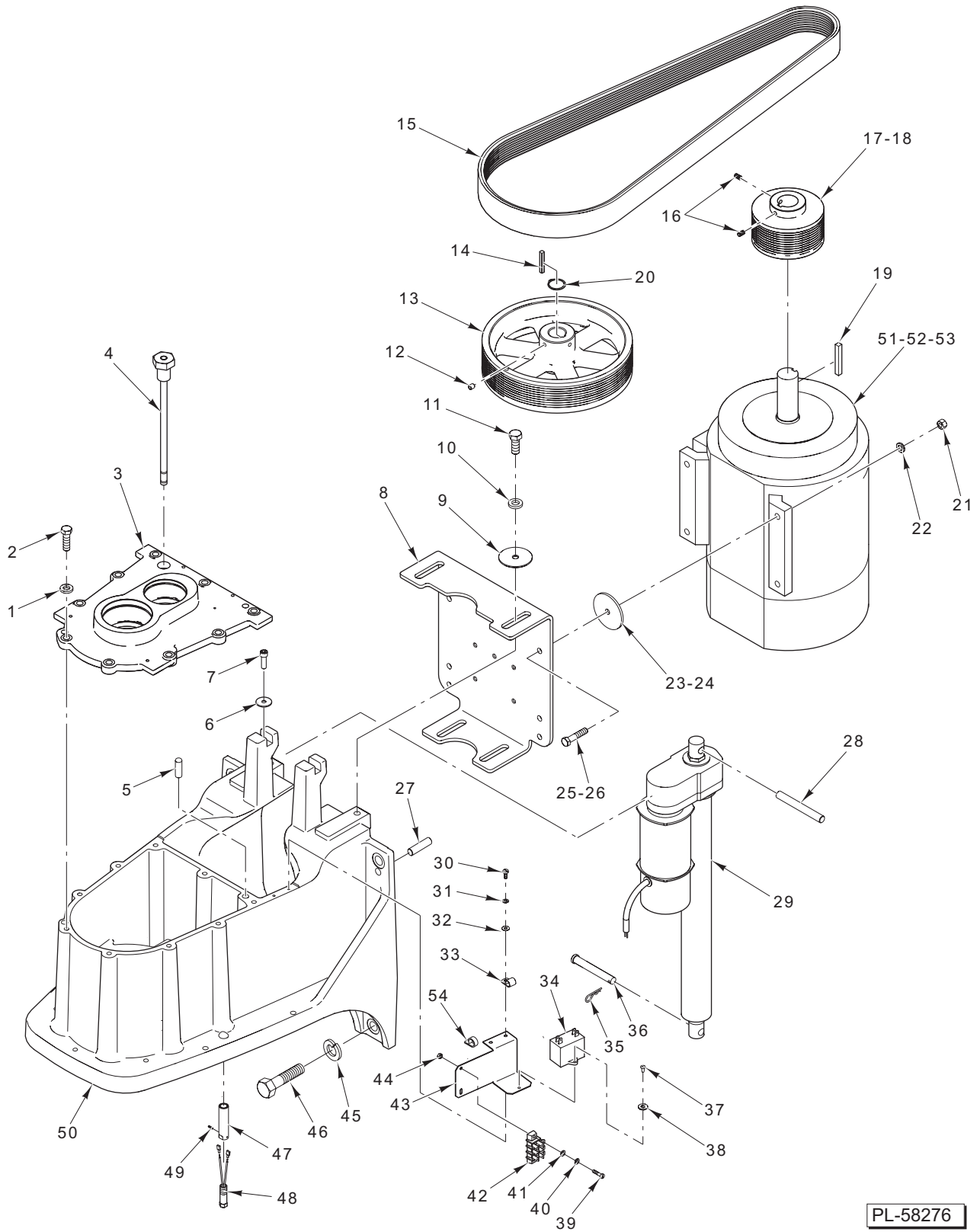
ILLUS. PL-58274	PART NO.	NAME OF PART	AMT.
1	00-916021	Pin – Bowl.....	1
2	00-916022	Bushing – Bowl Support.....	2
3	00-916351	Pin – Upper Bowl.....	1
4	00-874387	Pin – Limit.....	1
5	00-874492	Bushing – Bowl In.....	1
6	NS-013-14	Nut ⁵ / ₁₆ -18 Hex.....	1
7	SC-041-13	Cap Screw ⁵ / ₁₆ -18 x 1 Hex Hd. (SST).....	1
8	WS-006-36	Washer.....	3
9	00-916359	Plate – Stop Bowl Travel.....	1
10	NS-013-14	Nut ⁵ / ₁₆ -18 Hex.....	1
11	SC-041-13	Cap Screw ⁵ / ₁₆ -18 x 1 Hex Hd. (SST).....	1
12	00-873352-00002	Actuator – Bracket (ML-134300, ML-134334, & ML-134337).....	1
13	00-873352-00003	Actuator – Bracket (ML-134306, ML-134322, ML-134354, & ML-134355).....	1
14	WL-004-11	Lockwasher ¹ / ₂ Helical.....	2
15	SC-062-88	Cap Screw ¹ / ₂ -13 x 1 ¹ / ₄ Hex Hd.....	2
16	00-916087	Apron – Back (ML-134306, ML-134322, ML-134354, & ML-134355).....	1
17	00-916088	Apron – Back (ML-134300, ML-134334, & ML-134337).....	1
18	SC-041-86	Cap Screw ¹ / ₄ -20 x ³ / ₈ Hex Hd. (ML-134300, ML-134334, ML-134306, & ML-134354).....	4
19	SC-128-80	Mach. Screw 10-32 x ³ / ₈ Phil. Fil. Hd.(ML-134322, ML-134337, & ML-134355).....	4
20	WL-006-17	Lockwasher ³ / ₈ Helical.....	4
21	00-874597	Apron – Top.....	1
22	00-479619	Cap – Slideway.....	2
23	00-011800-00143	Pin – Dowel ¹ / ₂ x 1 ³ / ₄ SAE.....	2
24	00-479598	Slideway.....	2
25	00-479618	Cap – Slideway.....	2
26	00-011800-00143	Pin – Dowel ¹ / ₂ x 1 ³ / ₄ SAE.....	2
27	SC-128-12	Mach. Screw 10-24 x ¹ / ₄ Phil. Pan Hd.(ML-134334 & ML-134354).....	4
28	00-070641-00009	Screw – Thumb.....	4
29	SC-128-69	Mach. Screw 10-24 x ³ / ₈ Tx. Button Hd. (SST) (ML-134322, ML-134337, & ML-134355).....	4
30	00-874566-00002	Plate – Bowl In Switch.....	1
31	00-873377	Spring – Bowl Pin.....	1
32	00-874479	Plate – Bowl In Switch.....	1
33	00-087711-00338	Switch – Bowl In.....	1
34	WL-003-12	Lockwasher #8 Helical.....	2
35	SC-018-33	Mach. Screw 8-32 x ⁵ / ₁₆ Phil. Pan Hd.....	2
36	RP-004-28	Pin – Roll 0.250.....	1
37	00-873337	Yoke – Bowl.....	1
38	00-874390	Bushing – Bowl Lock.....	1
39	00-874376	Button – Bowl Rest.....	1
40	00-874391	Pin – Bowl.....	1
41	00-874388	Detent – Clevis Pin.....	1
42	00-874218	Clevis – Bowl Lock.....	1
43	00-874138	Bushing – Bowl Pin.....	1
44	00-874220	Handle – Bowl Pin.....	1
45	00-874197	Shaft – Bowl Pin Handle.....	1
46	00-875356	Handle – Lift Lever.....	1
47	00-874198	Spring – Bowl Pin.....	1
48	SC-092-27	Cap Screw 8-32 x 1 ³ / ₄ Hex Socket Hd.....	1
49	WL-003-12	Lockwasher #8 Helical.....	1
50	00-874380	Ramp – Wear.....	1
51	00-874199	Strap – Spring Retaining.....	1
52	WL-003-38	Lockwasher ¹ / ₄ Helical.....	2
53	SC-036-14	Cap Screw ¹ / ₄ -20 x ¹ / ₂ Hex Hd. (ML-134300, ML-134334, ML-134306, & ML-134354).....	2
54	SC-121-72	Mach. Screw ¹ / ₄ -20 x ¹ / ₂ Tx. Button Hd. (SST) (ML-134322, ML-134337, & ML134355).....	2
55	NS-013-40	Nut ⁵ / ₈ -11 Hex.....	2
56	WL-004-18	Lockwasher ⁵ / ₈ Helical.....	2
	00-874139	Handle Assy. – Bowl Lock (Incls. Items 44, 45, & 46) (ML-134300, ML-134334, ML-134306, & ML-134354).....	1
	00-874139-00002	Handle Assy. – Bowl Lock (Incls. Items 44, 45, & 46) (ML-134322, ML-134337, & ML-134355).....	1



**BOWL SUPPORT
(ML-134361)**

**BOWL SUPPORT
(ML-134361)**

ILLUS. PL-58650	PART NO.	NAME OF PART	AMT.
1	00-019195-00001	Stud – Bowl Locating	2
2	00-065922-00020	Clamp – Bowl.....	2
3	NS-013-14	Nut ⁵ / ₁₆ -18 Hex	1
4	SC-041-09	Cap Screw ⁵ / ₁₆ -18 x ¹ / ₂ Hex Hd. (SST).....	1
5	SC-041-09	Cap Screw ⁵ / ₁₆ -18 x ¹ / ₂ Hex Hd. (SST).....	1
6	00-916359	Plate – Stop Bowl Travel.....	1
7	WL-003-44	Lockwasher ⁵ / ₁₆ Helical	3
8	00-917163	Bracket – Actuator	1
9	WL-004-11	Lockwasher ¹ / ₂ Helical.....	2
10	SC-062-88	Cap Screw ¹ / ₂ -13 x ¹ / ₄ Hex Hd.	2
11	00-916683	Apron – Back	1
12	SC-041-86	Cap Screw ¹ / ₄ -20 x ³ / ₈ Hex Hd.....	4
13	WL-006-17	Lockwasher ³ / ₈ Helical.....	4
14	00-874597	Apron – Top.....	1
15	00-479619	Cap – Slideway	2
16	00-011800-00143	Pin – Dowel ¹ / ₂ x ¹ / ₄ SAE	2
17	00-479598	Slideway	2
18	00-479618	Cap – Slideway.....	2
19	00-011800-00143	Pin – Dowel ¹ / ₂ x ¹ / ₄ SAE	2
20	SC-128-12	Mach. Screw 10-24 x ¹ / ₄ Phil. Pan Hd.....	4
21	PB-005-11	Plug – Button	10
22	00-070641-00009	Screw – Thumb.....	4
23	00-916678	Yoke – Bowl	1
24	00-064394	Retainer – Bowl	1
25	WL-003-44	Lockwasher ⁵ / ₁₆ Helical	2
26	SC-120-38	Cap Screw ⁵ / ₁₆ -18 x 1 Hex Hd.....	2
27	NS-013-30	Nut ¹ / ₂ -13 Hex	1
28	WL-006-36	Lockwasher Helical (SST)	2
29	NS-046-18	Lock Nut ⁵ / ₈ -11 Hex	1
30	00-064636	Washer – Spring Bowl Clamp.....	2

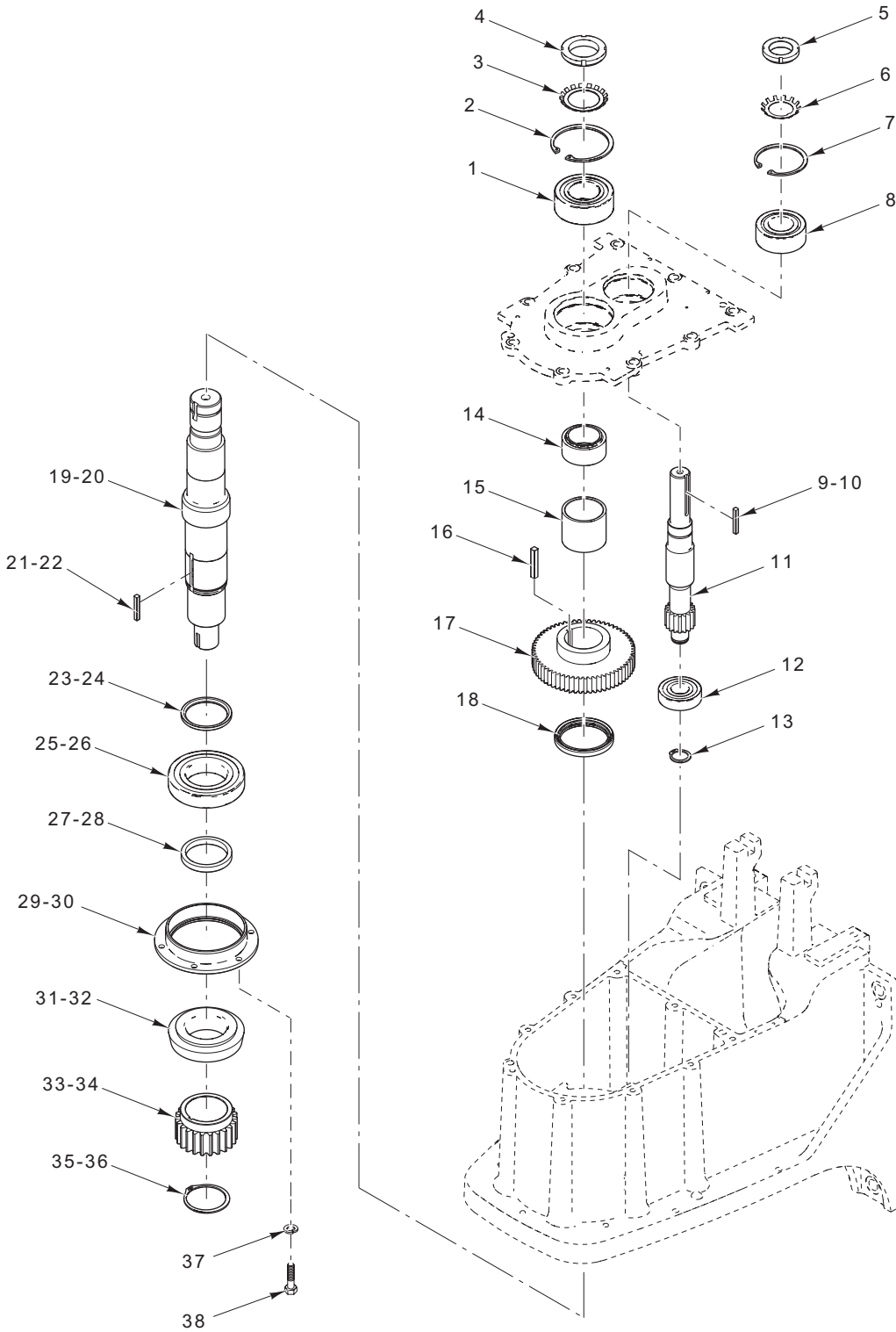


PL-58276

TRANSMISSION CASE AND MOTOR

TRANSMISSION CASE AND MOTOR

ILLUS.	PART NO.	NAME OF PART	AMT.
PL-58276			
1	WL-019-09	Lockwasher $\frac{3}{8}$ Helical.....	9
2	SC-118-09	Cap Screw $\frac{3}{8}$ -16 x $1\frac{1}{4}$ Hex Hd.....	9
3	00-874653	Cover – Transmission.....	1
4	00-916182	Dipstick – Weldment.....	1
5	00-557555	Dowel.....	2
6	00-916352	Washer – Flat.....	2
7	SC-040-15	Cap Screw $\frac{5}{16}$ -18 x $1\frac{1}{4}$ Hex Socket Hd.....	2
8	00-874441-00002	Plate – Motor Mounting.....	1
9	WS-008-40	Washer.....	4
10	WL-019-11	Lockwasher $\frac{1}{2}$ Helical.....	4
11	SC-062-88	Cap Screw $\frac{1}{2}$ -13 x $1\frac{1}{4}$ Hex Hd.....	4
12	SC-075-15	Set Screw $\frac{5}{16}$ -18 x $\frac{3}{8}$ Hex Hdls., Cup Pt.....	2
13	00-916003	Sheave – Driven (10L).....	1
14	00-875419-00069	Key – Chamfered.....	1
15	00-874493	Belt.....	1
16	SC-075-15	Set Screw $\frac{5}{16}$ x $\frac{3}{8}$ Hex Hdls., Cup Pt.....	2
17	00-875805	Sheave – Drive (ML-134300, ML-134334, ML-134337, & ML-134361).....	1
18	00-875939	Sheave – Motor (ML-134306, ML-134322, ML-134354, & ML-134355).....	1
19	00-875419-00081	Key $\frac{5}{16}$ x $\frac{5}{16}$ x $2\frac{3}{8}$	1
20	RR-007-02	Retaining Ring.....	1
21	NS-013-22	Nut $\frac{3}{8}$ -16 Hex.....	4
22	WL-004-06	Lockwasher $\frac{3}{8}$ Helical.....	4
23	00-875940	Spacer (ML-134306, ML-134322, ML-134354, & ML-134355).....	4
24	00-873363	Spacer (ML-134300).....	4
25	SC-118-08	Cap Screw $\frac{3}{8}$ -16 x $1\frac{3}{4}$ Hex Hd. (ML-134306, ML-134322, ML-134354, & ML-134355).....	4
26	SC-124-91	Cap Screw $\frac{3}{8}$ -16 x $2\frac{1}{2}$ Hex Hd. (ML-134300, ML-134334, ML-134337, & ML-134361).....	4
27	00-508208	Pin – Dowel.....	2
28	00-874315	Pin – Actuator (Upper).....	1
29	00-916565	Actuator Assy.....	1
30	SC-018-20	Mach. Screw 10-24 x $\frac{1}{2}$ Slotted Pan Hd.....	2
31	WL-003-22	Lockwasher #10 Helical.....	2
32	WS-002-51	Washer.....	2
33	00-078752-00012	Clamp ($\frac{3}{8}$ In.).....	1
34	00-110979-00100	Capacitor.....	1
35	PC 003-50	Pin – Cotter.....	1
36	00-874117-00002	Pin – Clevis.....	1
37	SD-009-41	Self-Tapping Screw 8-32 x $\frac{3}{8}$ Phil. Pan Hd. (SST).....	1
38	WS-023-22	Washer.....	1
39	SC-009-68	Mach. Screw 8-32 x $\frac{3}{4}$ Slotted Rd. Hd.....	2
40	WL-003-15	Lockwasher #8 Helical.....	2
41	WS-023-22	Washer.....	2
42	00-916269	Block – Terminal $\frac{1}{4}$ QC.....	1
43	00-916270	Mount – Capacitor.....	1
44	NS-009-12	Mach. Hex Nut 8-32 STL.....	2
45	WL-004-19	Lockwasher $\frac{5}{8}$ Helical.....	4
46	SC-129-34	Cap Screw $\frac{5}{8}$ -11 x $1\frac{1}{2}$ Hex Hd.....	4
47	00-874128	Extension – Bowl Guard Switch.....	1
48	00-874958-00001	Reed – Switch & Plug.....	1
49	SC-075-14	Set Screw 6-32 x $\frac{1}{8}$ Hex Hdls., Cup Pt.....	1
50	00-874641	Case – Transmission.....	1
51	00-875993-00002	Motor Assy. (5 Hp.) (ML-134300, ML-134334, & ML-134337).....	1
52	00-875995-00002	Motor Assy. (3 Hp.) (ML-134306 & ML-134322) (ML-134354 & ML-134355 Use On Serial Numbers 31-1398705 And Up).....	1
53	00-916869-00001	Motor Assy. (5Hp.) (ML-134361).....	1
54	00-294677-00002	Clamp – Wire.....	1
	00-916730-00001	Harness – Main Control.....	1
	00-916361-00001	Harness – Main Control.....	1
	00-916553	Puller Assy. – Motor.....	1

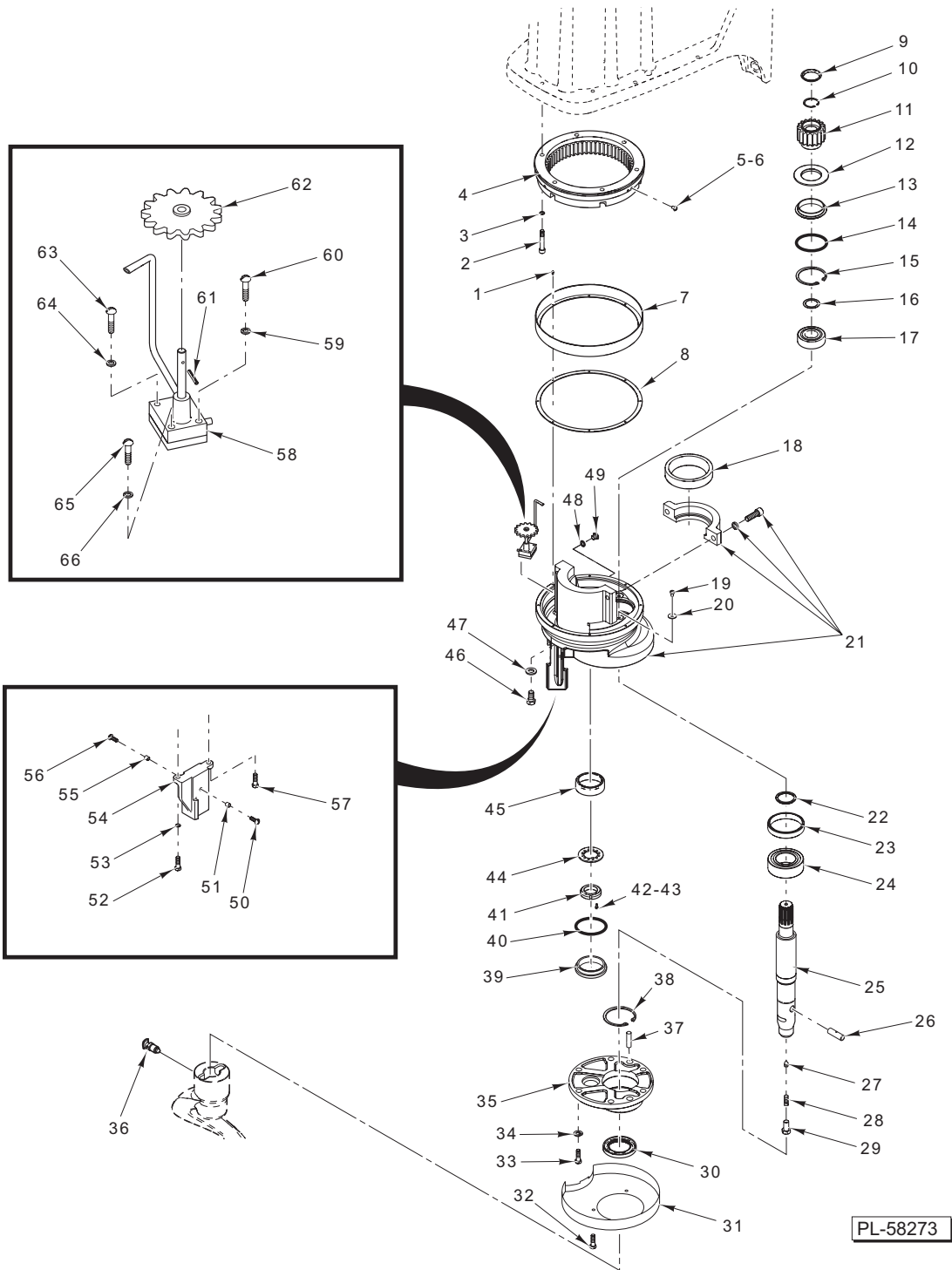


PL-58098

TRANSMISSION

TRANSMISSION

ILLUS.	PART NO.	NAME OF PART	AMT.
PL-58098			
1	BB-021-59	Bearing – Ball	1
2	RR-012-21	Retaining Ring	1
3	WL-012-10	Lockwasher	1
4	NS-034-10	Lock Nut.....	1
5	NS-034-08	Lock Nut.....	1
6	WL-012-08	Lockwasher.....	1
7	RR-004-24	Retaining Ring	1
8	BB-021-56	Bearing – Ball	1
9	00-875419-00079	Key – $\frac{5}{16} \times \frac{5}{16} \times 1\frac{1}{2}$	1
10	00-875419-00078	Key – Chamfered (ML-134306, ML-134322, ML-134354, & ML-134355)	1
11	00-916178	Shaft – Input	1
12	BB-018-22	Bearing – Ball	1
13	RR-009-07	Retaining Ring	1
14	00-874564	Spacer – Upper (Without Att. Hub)	1
15	00-874565	Spacer – Lower (Without Att. Hub)	1
16	00-875419-00079	Key $\frac{5}{16} \times \frac{5}{16} \times 1\frac{1}{2}$	1
17	00-874448	Gear	1
18	00-874454	Seal – Oil	1
19	00-875855	Shaft – Planetary (ML-134306, ML-134322, ML-134354, & ML-134355).....	1
20	00-874452	Shaft – Planetary (ML-134300, ML-134334, ML-134337, & ML-134361).....	1
21	00-875419-00078	Key – Chamfered (ML-134306, ML-134322, ML-134354, & ML-134355)	1
22	00-875419-00066	Key – Chamfered (ML-134300, ML-134334, ML-134337, & ML-134361)	1
23	00-064467	Spacer – Upper (Lower Planetary) (ML-134306, ML-134322, ML-134354, & ML-134355).....	1
24	00-067900	Spacer – Upper (Lower Planetary) (ML-134300, ML-134334, ML-134337, & ML-134361).....	1
25	BB-007-07	Bearing – Ball Sgl. Rod (ML-134306, ML-134322, ML-134354, & ML-134355).....	1
26	BB-021-49	Bearing – Ball Sgl. Rod (ML-134300, ML-134334, ML-134337, & ML-134361).....	1
27	00-875858	Spacer – Lower (Lower Planetary) (ML-134306, ML-134322, ML-134354, & ML-134355).....	1
28	00-874567	Spacer – Lower (Lower Planetary) (ML-134300, ML-134334, ML-134337, & ML-134361).....	1
29	00-875857	Carrier – Lower Bearing (ML-134306, ML-134322, ML-134354, & ML-134355)	1
30	00-874451	Carrier – Lower Bearing (ML-134300, ML-134334, ML-134337, & ML-134361).....	1
31	BR-003-11	Bearing – Roller Cone (ML-134306, ML-134322, ML-134354, & ML-134355).....	1
32	BR-003-29	Bearing – Roller Cone (ML-134300, ML-134334, ML-134337, & ML-134361).....	1
33	00-064386	Gear – Sun (ML-134306, ML-134322, ML-134354, & ML-134355).....	1
34	00-067904	Gear – Sun (ML-134300, ML-134334, ML-134337, & ML-134361).....	1
35	RR-004-14	Retaining Ring (ML-134306, ML-134322, ML-134354, & ML-134355).....	1
36	RR-011-96	Retaining Ring (ML-134300, ML-134334, ML-134337, & ML-134361).....	1
37	WL-003-48	Lockwasher $\frac{5}{16}$ Helical	6
38	SC-123-75	Cap Screw $\frac{5}{16}$ -18 x $\frac{3}{4}$ Hex Button Hd.	6

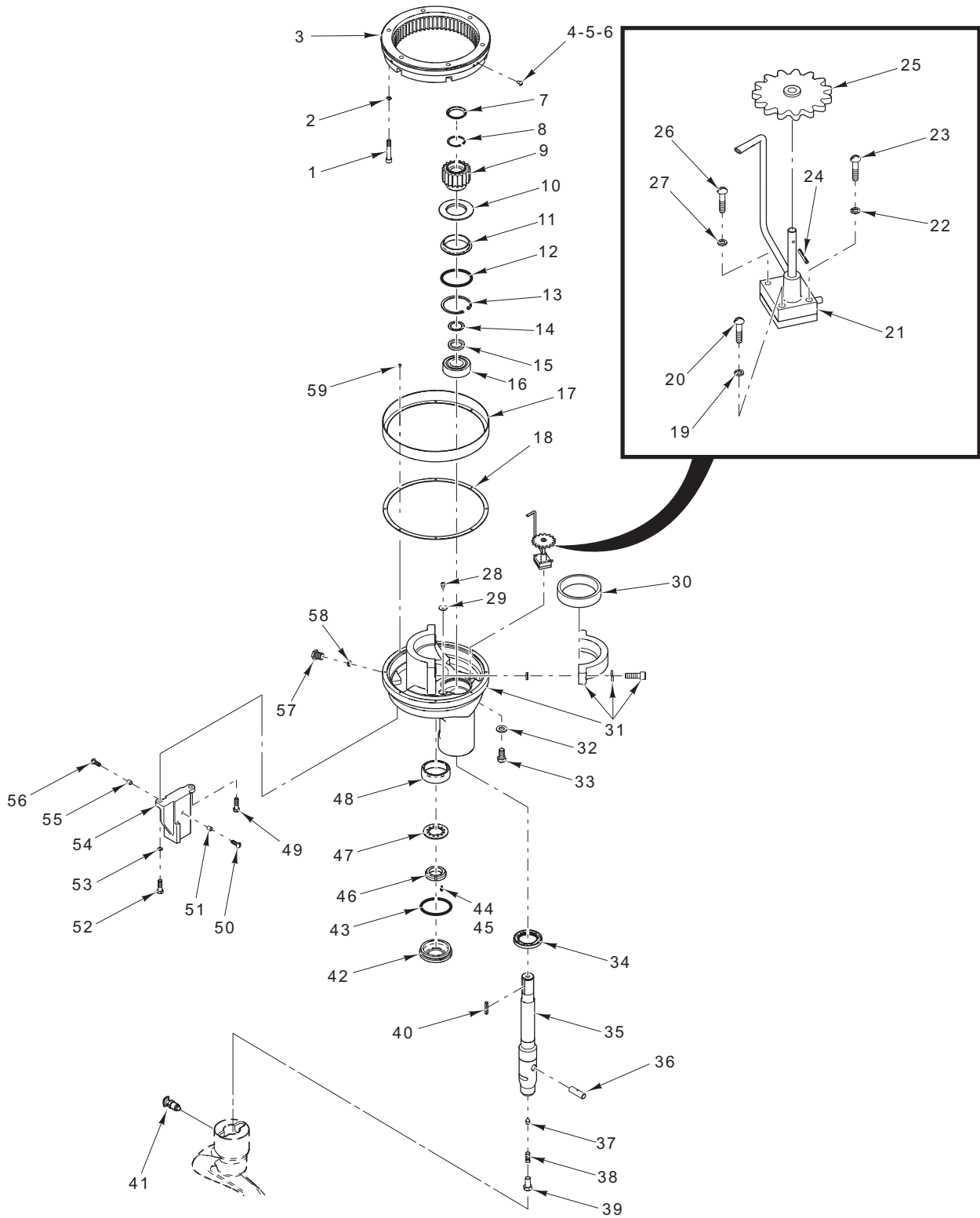


**PLANETARY (HL1400 SERIES)
(ML-134300, ML-134334, ML-134337, & ML-134361)**

ILLUS. PL-58273	PART NO.	NAME OF PART	AMT.
1	SC-009-70	Mach. Screw 8-32 x 1/4 Slotted Rd. Hd. (SST).....	8
2	SC-040-28	Cap Screw 3/8-16 x 2 1/2 Hex Socket Hd.....	6
3	WL-019-92	Lockwasher 3/8 Helical.....	6
4	00-438050	Gear – Internal	1
5	SC-021-37	Mach. Screw 1/4-20 x 3/8 Slotted Rd. Hd. (SST) (ML-134300, ML-134334, & ML-134361).....	3
6	SC-128-80	Mach. Screw 1/4 -20 x 3/8 Phil. Fil. Hd. (ML-134337)	3

**PLANETARY (HL1400 SERIES)
(ML-134300, ML-134334, ML-134337, & ML-134361) (CONT.)**

ILLUS. PL-58273	PART NO.	NAME OF PART	AMT.
7	00-064478	Extension.....	1
8	00-064464	Gasket.....	1
9	00-060071	Cap – Oil Retaining.....	1
10	RR-006-08	Retaining Ring.....	1
11	00-067886	Pinion – Internal (18T) (Incls. Item 12).....	1
12	00-065372	Deflector – Oil.....	1
13	00-073011	Baffle – Planetary Oil.....	1
14	00-067500-00021	O-Ring.....	1
15	RR-004-24	Retaining Ring.....	1
16	00-068277	Shim – Internal Pinion.....	1
17	BB-021-56	Bearing – Ball.....	1
18	BR-003-30	Bearing – Roller Assy.....	1
19	SC-011-72	Mach. Screw 1/4-20 x 3/8 Slotted Phil. Hd.....	2
20	WS-003-46	Washer.....	2
21	00-874690	Planetary Assy. (Incls. Items 52, 53, 54, & Bearing Cap).....	1
22	00-067902	Spacer – Agitator Shaft.....	1
23	00-067903	Locator – Bearing.....	1
24	BB-021-55	Bearing – Ball.....	1
25	00-916037	Shaft – Agitator.....	1
26	00-873953	Pin – Agitator Shaft.....	1
27	00-007744	Set Screw Hdls., Cone Pt.....	1
28	SC-047-41	Set Screw 3/8-16 x 3/8 Hex Hdls., Cup Pt.....	1
29	00-064723	Plug – Agitator Shaft.....	1
30	00-068045	Seal – Oil.....	1
31	00-874669	Cover – Planetary.....	1
32	00-080531	Screw – Nylok Hex Hd.....	2
33	SC-120-28	Cap Screw 1/2-13 x 2 Hex Hd.....	6
34	WL-004-11	Lockwasher 1/2 Helical.....	6
35	00-067921-00001	Plate – Bearing.....	1
36	00-874145	Plunger Assy.....	1
37	00-011800-00237	Dowel.....	2
38	RR-006-07	Retaining Ring.....	1
39	00-437496-00002	Cap – Seal.....	1
40	00-067500-00021	O-Ring.....	1
41	00-065275	Bearing – Special Lock Nut.....	1
42	00-065277	Cap Screw – Socket Hd.....	1
43	WL-003-15	Lockwasher #8 Helical.....	1
44	00-064982	Washer – Tongue.....	1
45	BR-002-15	Bearing – Roller Assy.....	1
46	SC-129-38	Cap Screw 7/16-20 x 1 Hex Hd. (SST).....	1
47	WS-021-20	Washer.....	1
48	WS-021-20	Washer.....	1
49	00-064465-00001	Plug – Oil Fill.....	1
50	SC-021-54	Mach. Screw 5/16-18 x 7/8 Slotted Rd. Hd.(SST).....	1
51	00-874181	Spacer – Scraper Arm.....	1
52	SC-041-31	Cap Screw 3/8-16 x 1 1/4 Hex Hd. (SST).....	1
53	WL-006-28	Lockwasher 3/8 Helical.....	1
54	00-874649-00002	Bracket – Bowl Scraper.....	1
55	00-874181	Spacer – Scraper Arm.....	1
56	SC-021-54	Mach. Screw 5/16-18 x 7/8 Slotted Rd. Hd. (SST).....	1
57	SC-041-49	Cap Screw 3/8-16 x 1 Hex Hd. (SST).....	1
58	00-290232-00002	Pump Assy. – Oil (Incls. Items 59, 60, & 61).....	1
59	WL-003-22	Lockwasher #10 Helical.....	1
60	SC-060-87	Mach. Screw 10-32 x 3/4 Slotted Rd. Hd. (SST).....	1
61	RP-002-08	Pin – Roll 0.078.....	1
62	00-064614	Gear – Drive Assy.....	1
63	SC-009-68	Mach. Screw 8-32 x 3/4 Slotted Rd. Hd.....	1
64	WL-003-15	Lockwasher #8 Helical.....	1
65	SC-009-51	Mach. Screw 10-32 x 7/8 Slotted Rd. Hd. (SST).....	2
66	WL-003-22	Lockwasher #10 Helical.....	2

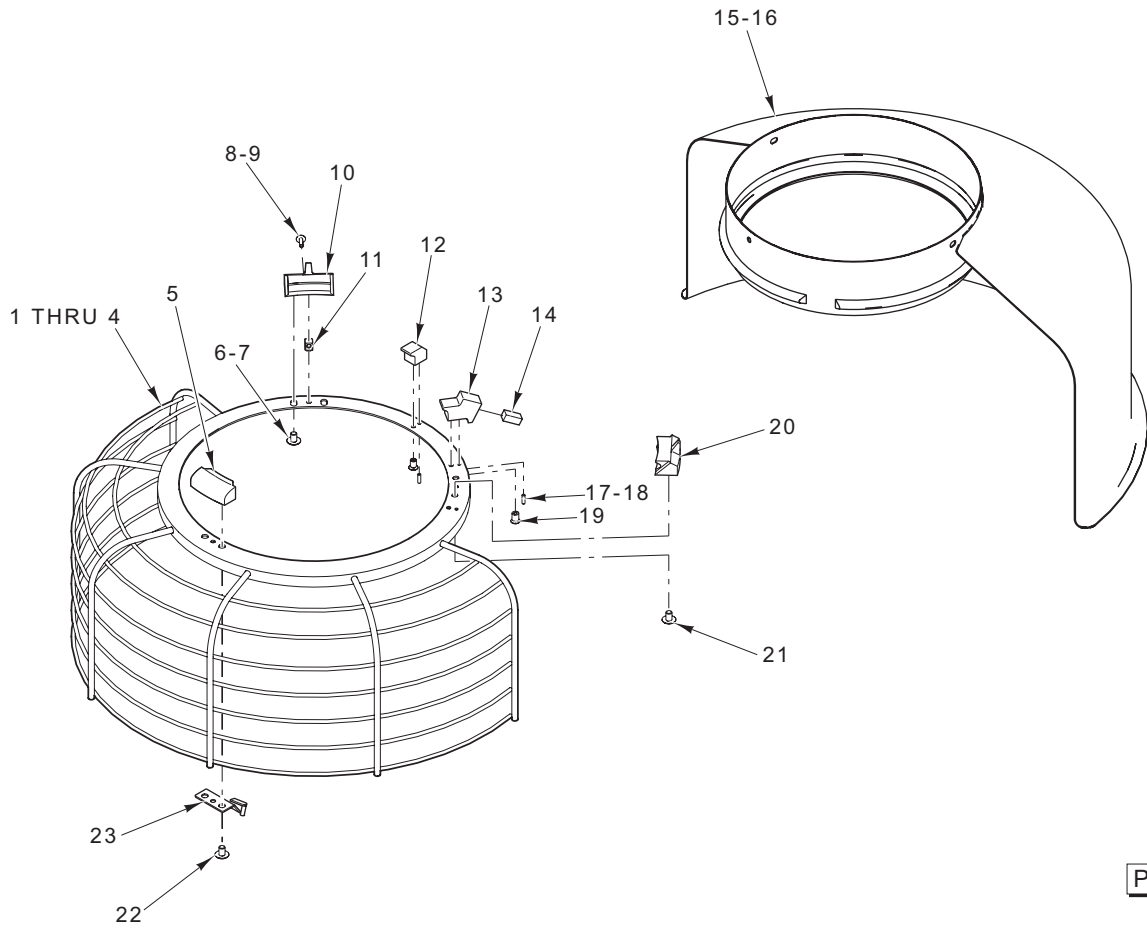


PL-58272

**PLANETARY (HL800 SERIES)
(ML-134306, ML-134322, ML-134354, & ML-134355)**

PLANETARY (HL800 SERIES)
(ML-134306, ML-134322, ML-134354, & ML-134355)

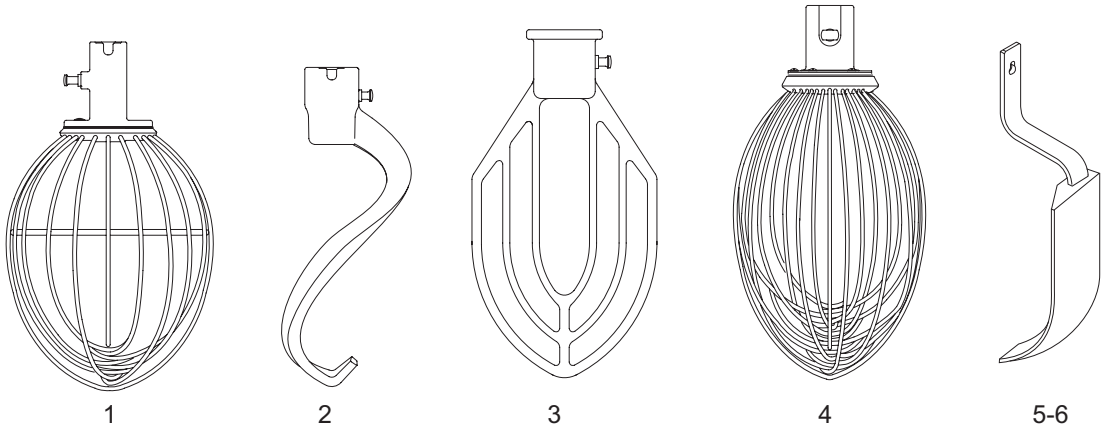
ILLUS.	PART NO.	NAME OF PART	AMT.
PL-58272			
1	SC-040-27	Cap Screw 3/8-16 x 2 1/4 Hex Socket Hd.....	6
2	WL-019-92	Lockwasher 3/8 Helical.....	6
3	00-438121	Gear – Internal.....	1
4	SC-128-74	Mach. Screw 1/4-20 x 5/8 Tx. Button Hd. (SST) (ML-134322 & ML-134355).....	3
5	SC-021-39	Mach. Screw 1/4-20 X 5/8 Slotted Rd. Hd. (ML-134306 & ML-134354).....	3
6	SC-128-80	Mach. Screw 1/4-20 X 3/8 Tx. Button Hd. (SST) (ML-134355).....	3
7	00-060071	Cap – Oil Retaining.....	1
8	RR-005-08	Retaining Ring.....	1
9	00-064732	Pinion – Internal Oil Assy. (Incls. Item 10).....	1
10	00-065372	Deflector – Oil.....	1
11	00-073011	Baffle – Planetary Oil.....	1
12	00-067500-00021	O-Ring.....	1
13	RR-004-24	Retaining Ring.....	1
14	00-060768	Shim – Internal Pinion.....	1
15	00-065408	Spacer – Agitator Shaft.....	1
16	BB-006-36	Ball Bearing.....	1
17	00-064478	Extension.....	1
18	00-064464	Gasket.....	1
19	WL-003-22	Lockwasher #10 Helical.....	2
20	SC-009-51	Mach. Screw 10-32 x 7/8 Slotted Rd. Hd. (SST).....	2
21	00-290232-00002	Pump Assy. – Oil (Incls. Items 22 thru 27).....	1
22	WL-003-22	Lockwasher #10 Helical.....	1
23	SC-060-87	Mach. Screw 10-32 x 3/4 Slotted Rd. Hd. (SST).....	1
24	RP-002-08	Pin – Roll 0.078.....	1
25	00-064614	Gear – Drive Assy.....	1
26	SC-009-68	Mach. Screw 8-32 x 3/4 Slotted Rd. Hd.....	1
27	WL-003-15	Lockwasher #8 Helical.....	1
28	SC-011-72	Mach. Screw 1/4-20 x 3/8 Slotted Phil. Hd.....	2
29	WS-003-46	Washer.....	2
30	BR-003-12	Bearing – Roller Cap.....	1
31	00-916068	Planetary Assy. (Incls. Items 52, 53, 54, & Bearing Cap).....	1
32	WS-021-20	Washer.....	1
33	SC-129-38	Cap Screw 7/16-20 x 1 Hex Hd. (SST).....	1
34	00-916065	Seal – Oil.....	1
35	00-916048	Shaft – Agitator.....	1
36	00-873953	Pin – Agitator Shaft.....	1
37	00-007744	Set Screw Hex Hdls., Cone Pt.....	1
38	SC-047-41	Set Screw 3/8-16 x 3/8 Hex Hdls., Cup Pt.....	1
39	00-064723	Plug – Agitator Shaft.....	1
40	00-875958	Key – Chamfered.....	1
41	00-874145	Plunger Assy.....	1
42	00-437496-00002	Cap – Seal.....	1
43	00-067500-00021	O-Ring.....	1
44	00-065277	Cap Screw – Socket Hd.....	1
45	WL-003-15	Lockwasher #8 Helical.....	1
46	00-065275	Bearing – Special Lock Nut.....	1
47	00-064982	Washer – Tongue.....	1
48	BR-002-15	Bearing – Roller Assy.....	1
49	SC-047-49	Cap Screw 3/8-16 x 1 3/8 Hex Hd. (SST).....	1
50	SC-021-54	Mach. Screw 5/16-18 x 7/8 Slotted Rd. Hd. (SST).....	1
51	00-874181	Spacer – Scraper Arm.....	1
52	SC-041-31	Cap Screw 3/8-16 x 1 1/4 Hex Hd.....	1
53	WL-006-28	Lockwasher 3/8 Helical.....	1
54	00-873284-00002	Bracket – Bowl Scraper.....	1
55	00-874181	Spacer – Scraper Arm.....	1
56	SC-021-54	Mach. Screw 5/16-18 x 7/8 Slotted Rd. Hd. (SST).....	1
57	00-064465-00001	Plug – Oil Fill.....	1
58	WS-021-20	Washer.....	1
59	SC-009-70	Mach. Screw 8-32 x 1/4 Slotted Rd. Hd. (SST).....	8



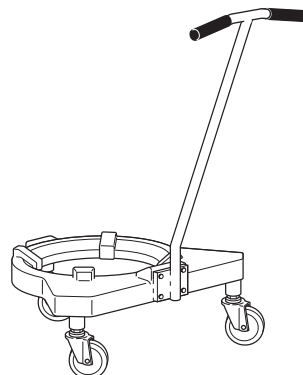
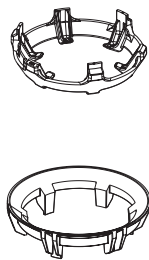
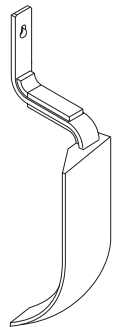
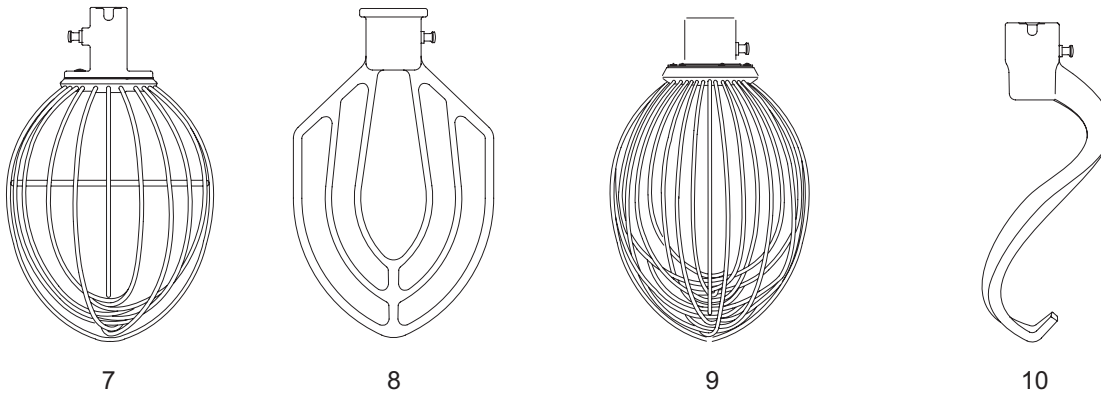
BOWL GUARD

BOWL GUARD

ILLUS.	PART NO.	NAME OF PART	AMT.
1	00-916155-00001	Wire – Cage (ML-134306 & ML-134354).....	1
2	00-916155-00002	Wire – Cage (ML-134322 & ML-134355).....	1
3	00-874953-00001	Wire – Cage (ML-134300, ML-134334, & ML-134361)	1
4	00-874953-00002	Wire – Cage (ML-134337)	1
5	00-874126	Shoe – Front	1
6	SC-122-45	Mach. Screw 1/4-20 x 3/8 Slotted Truss Hd.....	6
7	SC-128-65	Mach. Screw 1/4-20 x 1/2 Tx. Button Hd. (SST) (ML-134322 & ML-134355).....	6
8	SC-123-07	Mach. Screw 8-32 x 1/2 Slotted Truss Hd. (ML-134300, ML-134306, ML-134334, ML-134354, & ML-134361)	1
9	SC-128-66	Mach. Screw 8-32 x 1/2 Tx. Button Hd. (SST) (ML-134322, ML-134337, & ML-134355).....	1
10	00-437433-00003	Shoe – Adjustable.....	1
11	00-437720	Key – Shoe	1
12	00-438055	Bumper – Cage.....	1
13	00-437442	Retainer – Magnet	1
14	00-111941	Magnet.....	1
15	00-916152	Guard – Splash & Drip (ML-134306, ML-134322, ML-134354, & ML-134355)	1
16	00-874951	Guard – Splash & Drip (ML-134300, ML-134334, ML-134337, & ML-134361)	1
17	SC-122-44	Mach. Screw 8-32 x 3/8 Slotted Truss Hd. (ML-134300, ML-134306, ML-134334, ML-134354, & ML-134361)	2
18	SC-121-71	Mach. Screw 8-32 x 3/8 Tx. Button Hd. (SST) (ML-134322, ML-134337, & ML-134355).....	2
19	SC-009-68	Mach. Screw 8-32 x 3/4 Slotted Rd. Hd.	2
20	00-437433-00002	Shoe – Fixed.....	1
21	SC-122-45	Mach. Screw 1/4-20 x 3/8 Slotted Truss Hd.....	2
22	SC-122-45	Mach. Screw 1/4-20 x 3/8 Slotted Truss Hd.....	4
23	00-875795	Stop – Cage.....	1
	00-916277-00001	Cage – Wire Assy. (ML-134334, ML-134300, & ML-134361)	1
	00-916277-00002	Cage – Wire Assy. (ML-134337).....	1
	00-916154-00001	Cage – Wire Assy. (ML-134306 & ML-134354)	1
	00-916154-00002	Cage – Wire Assy. (ML-134322 & ML-134355)	1



40-QUART AGITATORS



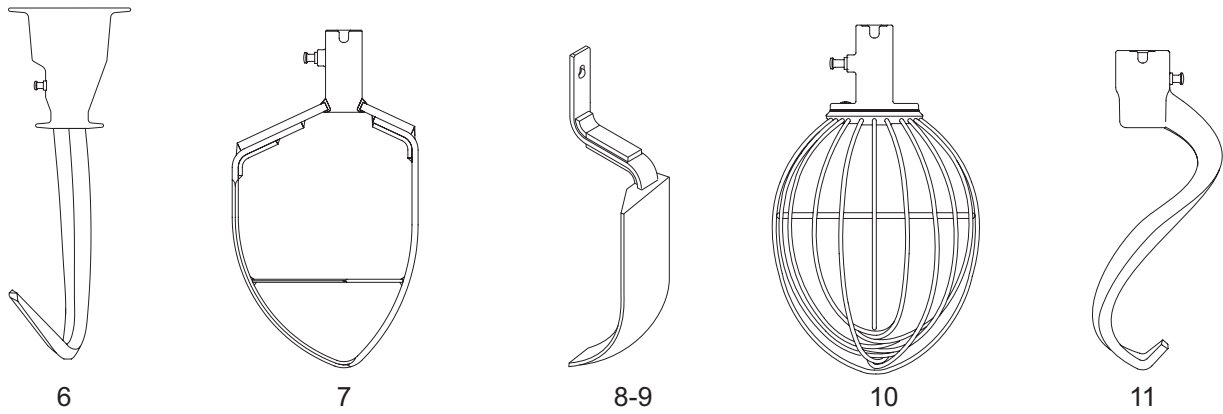
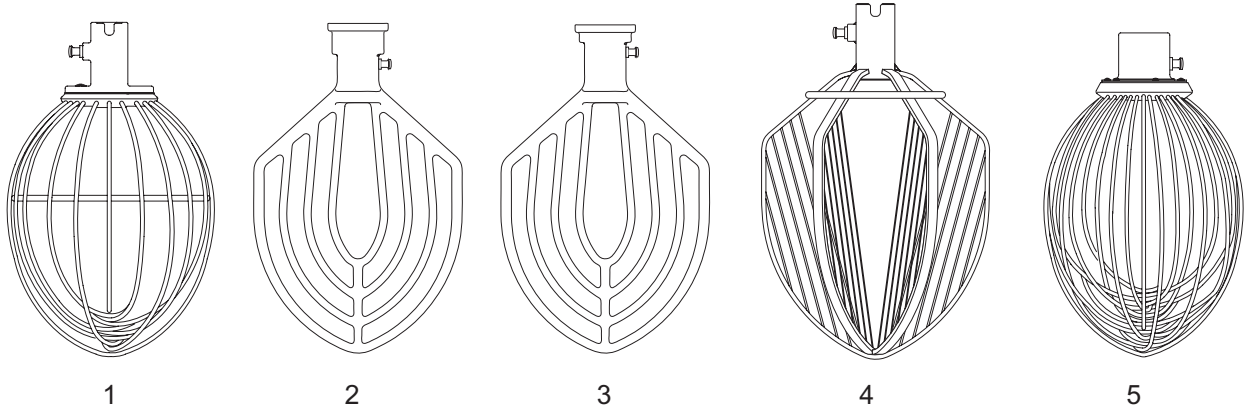
BOWL TRUCK

PL-58292

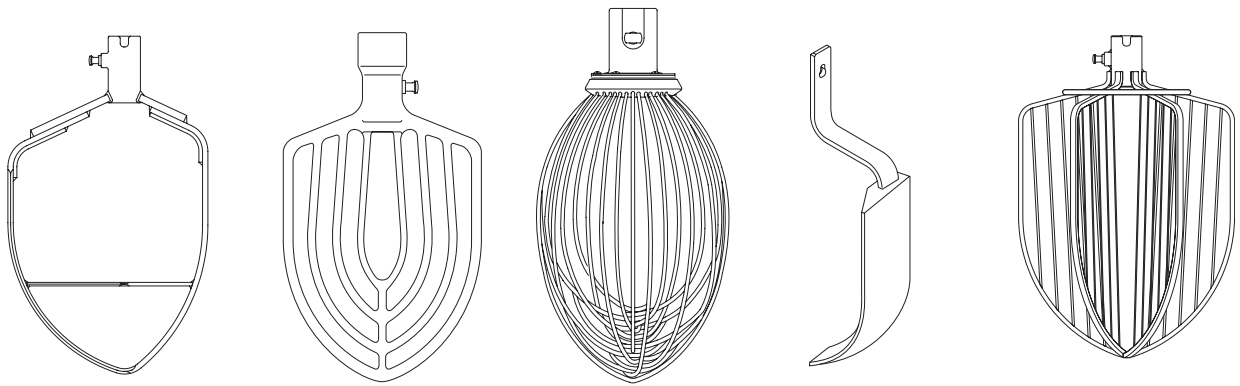
AGITATORS AND ACCESSORIES (40 & 60 QUART)

AGITATORS AND ACCESSORIES (40 & 60 QUART)

ILLUS.	PART NO.	NAME OF PART	AMT.
PL-58292			
1	00-916321	"I" Wire Whip (40 Quart) (Packaged).....	1
2	00-916316	"ED" Dough Arm (40 Quart) (Packaged).....	1
3	00-916313	"B" Flat Beater (40 Quart) (Packaged).....	1
4	00-916319	"D" Wire Whip (40 Quart) (Packaged).....	1
5	00-874268	Bowl Scraper (40 Quart) (Incls. Item 6) (Packaged).....	1
6	00-435637-00004	Scraper – Bowl	1
7	00-916268	"I" Wire Whip (60 Quart) (Packaged).....	1
8	00-916257	"B" Flat Beater (60 Quart) (Packaged).....	1
9	00-916265	"D" Wire Whip (60 Quart) (Packaged).....	1
10	00-916260	"ED" Dough Arm (60 Quart) (Packaged).....	1
11	00-874267	Bowl Scraper (60 Quart) (Incls. Item 14) (Packaged).....	1
12	00-435637-00001	Scraper – Bowl	1
13	00-916493	Bowl Truck Adapter (60-80-140 Quart) (Packaged).....	1
14	00-916495	Bowl Truck Adapter (40-60 Quart) (Packaged).....	1
15	00-873307	Bowl Truck (Packaged) (ML-134306, ML-134322, ML-134354, & ML-134355).....	1
16	00-873308	Bowl Truck (Packaged) (ML-134300, ML-134334, & ML-134337).....	1
17	00-874288	Caster – Bowl Truck.....	3
18	00-916585	Bowl Truck (Packaged) (ML-134300 & ML-134334).....	1
	00-433047	Ingredient Chute (Packaged).....	1



80-QUART AGITATORS



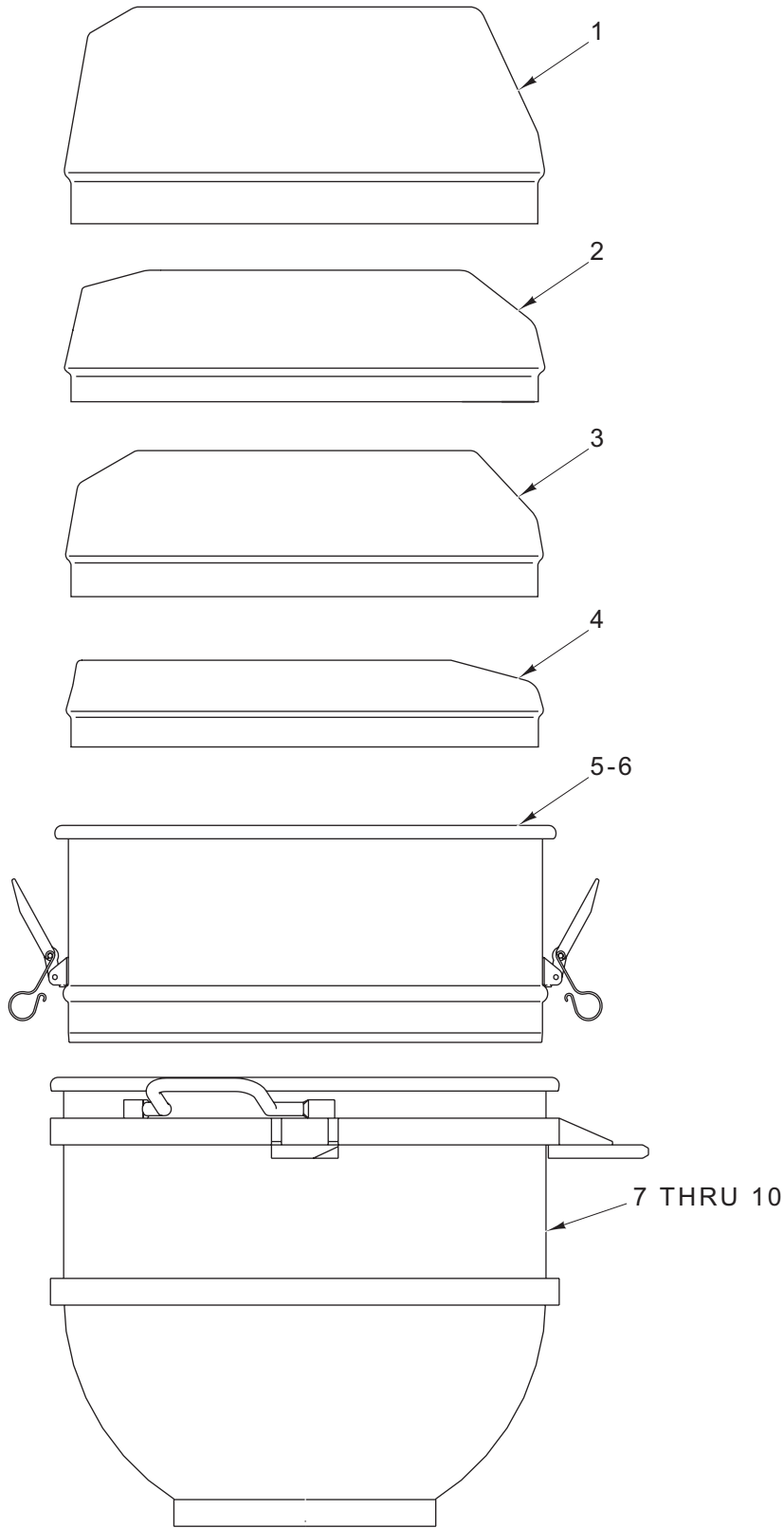
140-QUART AGITATORS

PL-57888

AGITATORS AND ACCESSORIES (80 & 140 QUART)

AGITATORS AND ACCESSORIES (80 & 140 QUART)

ILLUS.	PART NO.	NAME OF PART	AMT.
PL-57888			
1	00-875931	"I" Wire Whip (80 Quart) (Packaged).....	1
2	00-874654	"B" Beater (80 Quart) (Packaged).....	1
3	00-916095	"B" Beater (80 Quart) (Packaged).....	1
4	00-875946	"C" Wire Whip (80 Quart) (Packaged).....	1
5	00-875866	"D" Wire Whip (80 Quart) (Packaged).....	1
6	00-874647	"ED" Dough Arm (80 Quart) (Packaged).....	1
7	00-875914	Pastry Knife (80 Quart) (Packaged).....	1
8	00-874700	Bowl Scraper (80 Quart) (Incls. Item 9) (Packaged).....	1
9	00-435637-00002	Scraper – Bowl	1
10	00-875929	"I" Wire Whip (140 Quart) (Packaged).....	1
11	00-875847	"ED" Dough Arm(140 Quart) (Packaged).....	1
12	00-875906	Pastry Knife (140 Quart) (Packaged).....	1
13	00-874409	"B" Flat Beater (140 Quart) (Packaged).....	1
14	00-916018	"B" Flat Beater (140 Quart) (Packaged).....	1
15	00-875863	"D" Wire Whip (140 Quart) (Packaged).....	1
16	00-874699	Bowl Scraper (140 Quart) (Incls. Item 18) (Packaged).....	1
17	00-435637-00003	Scraper – Bowl	1
18	00-875938	"C" Wire Whip (140 Quart) (Packaged).....	1



PL-57889

BOWL AND EXTENSIONS

BOWL AND EXTENSIONS

ILLUS.	PART NO.	NAME OF PART	AMT.
PL-57889			
1	00-438081	Cover – Splash (40 Quart) (Packaged)	1
2	00-438082	Cover – Splash (60 Quart) (Packaged)	1
3	00-438083	Cover – Splash (80 Quart) (Packaged)	1
4	00-438084	Cover – Splash (140 Quart) (Packaged)	1
5	00-438104-00004	Bowl Extension Assy. (60 Quart) (Packaged)	1
6	00-438104-00002	Bowl Extension Assy. (80 Quart) (Packaged)	1
7	00-916175	Bowl Assy. (40 Quart) (Packaged)	1
8	00-916174	Bowl Assy. (60 Quart) (Packaged)	1
9	00-875846	Bowl Assy. (80 Quart) (Packaged)	1
10	00-875845	Bowl Assy. (140 Quart) (SST) (Packaged)	1
11	00-917142-00001	Bowl Assy. (140 Quart) (SST) (Packaged)	1
	00-917344	Bowl Adapter Assy. (140-80 Quart) (Packaged) (ML-134361)	1
	00-917345	Bowl Adapter Assy. (80-60 Quart) (Packaged) (ML-134361)	1
	00-917346	Bowl Adapter Assy. (80-40 Quart) (Packaged) (ML-134361)	1

