

ET
TOASTER



INSTRUCTIONS

ET SERIES TOASTERS

ML-43312 ET13
ML-43313 ET26
ML-43314 ET27



EXECUTIVE OFFICES
TROY, OHIO 45374

Installation, Operation and Care of MODEL ET SERIES TOASTERS

SAVE THESE INSTRUCTIONS

GENERAL

The Hobart ET Series Toasters are available in two- or four-slice models. The model ET13 is a two-slice toaster which is provided with a cord and plug as standard equipment. The models ET26 and ET27 are four-slice toasters; the ET27 is provided with a cord and plug as standard equipment. All models are available for 120, 208, 240, 120/208, or 120/240 volts, single phase electrical service.

Accessories include a stand which combines two or four ET26 models. The model ET262 is a combination of the stand and two ET26 toasters, and the model ET264 is two ET262 combinations.

INSTALLATION

UNPACKING

Immediately after unpacking, check the toaster for possible shipping damage. If this unit is found to be damaged after unpacking, save the packaging material and contact the carrier within 15 days of delivery.

Prior to installation, test the electrical service to assure that it agrees with the specifications on the machine data plate.

ELECTRICAL CONNECTIONS (Cord Connected Toasters)

WARNING: THE SUPPLY CORD ON THIS TOASTER IS PROVIDED WITH EITHER A THREE- OR FOUR-PRONG GROUNDING PLUG. THE PLUG MUST BE CONNECTED TO A MATING RECEPTACLE THAT IS PROPERLY GROUNDED. IF THE RECEPTACLE IS NOT THE PROPER GROUNDING TYPE, AN ELECTRICIAN SHOULD BE CONTACTED.

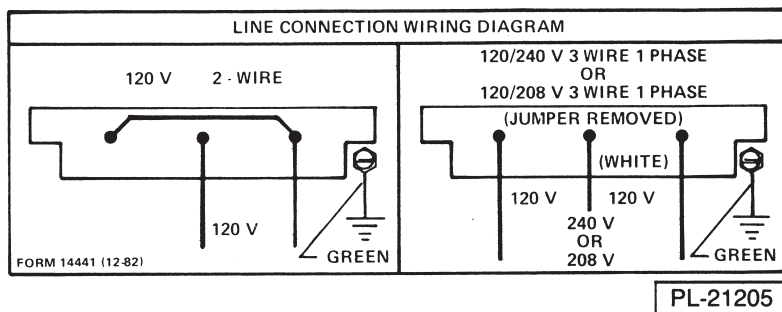
If the toaster is furnished with a cord and a permanent connection is preferred, the cord may be removed and the toaster connected by following instructions in the next section, ELECTRICAL CONNECTIONS (Permanently Connected Toasters).

ELECTRICAL CONNECTIONS (Permanently Connected Toasters)

WARNING: ELECTRICAL AND GROUNDING CONNECTIONS MUST COMPLY WITH THE APPLICABLE PORTIONS OF THE NATIONAL ELECTRICAL CODE AND/OR OTHER LOCAL ELECTRICAL CODES.

WARNING: DISCONNECT ELECTRICAL POWER SUPPLY AND PLACE A TAG AT THE DISCONNECT SWITCH INDICATING THAT YOU ARE WORKING ON THE CIRCUIT.

Make electrical connections to the junction box per the electrical connection diagram.



OPERATION

CONTROLS

The *CARRIAGE LEVER(S)*, when depressed, lowers the product and begins toasting. When the desired darkness is reached, the carriage lever(s) automatically pops up. To interrupt the toasting operation prior to its completion, gently lift the carriage lever to release the product.

The *COLOR CONTROLS KNOB(S)* regulate the degree of darkness of the product.



CLEANING

WARNING: IF TOASTER IS CORD-CONNECTED, UNPLUG CORD BEFORE CLEANING. IF TOASTER IS PERMANENTLY CONNECTED, DISCONNECT ELECTRICAL POWER SUPPLY AND PLACE A TAG AT THE DISCONNECT SWITCH INDICATING THAT YOU ARE WORKING ON THE CIRCUIT BEFORE CLEANING.

The toaster body may be wiped clean with a damp cloth.

The *CRUMB TRAYS(S)* may be removed, emptied, and washed as any ordinary cooking utensil.

