

VULCAN

*CATALOG OF
REPLACEMENT PARTS*

*ELECTRIC AND
GAS BRAISING PANS*

MODELS

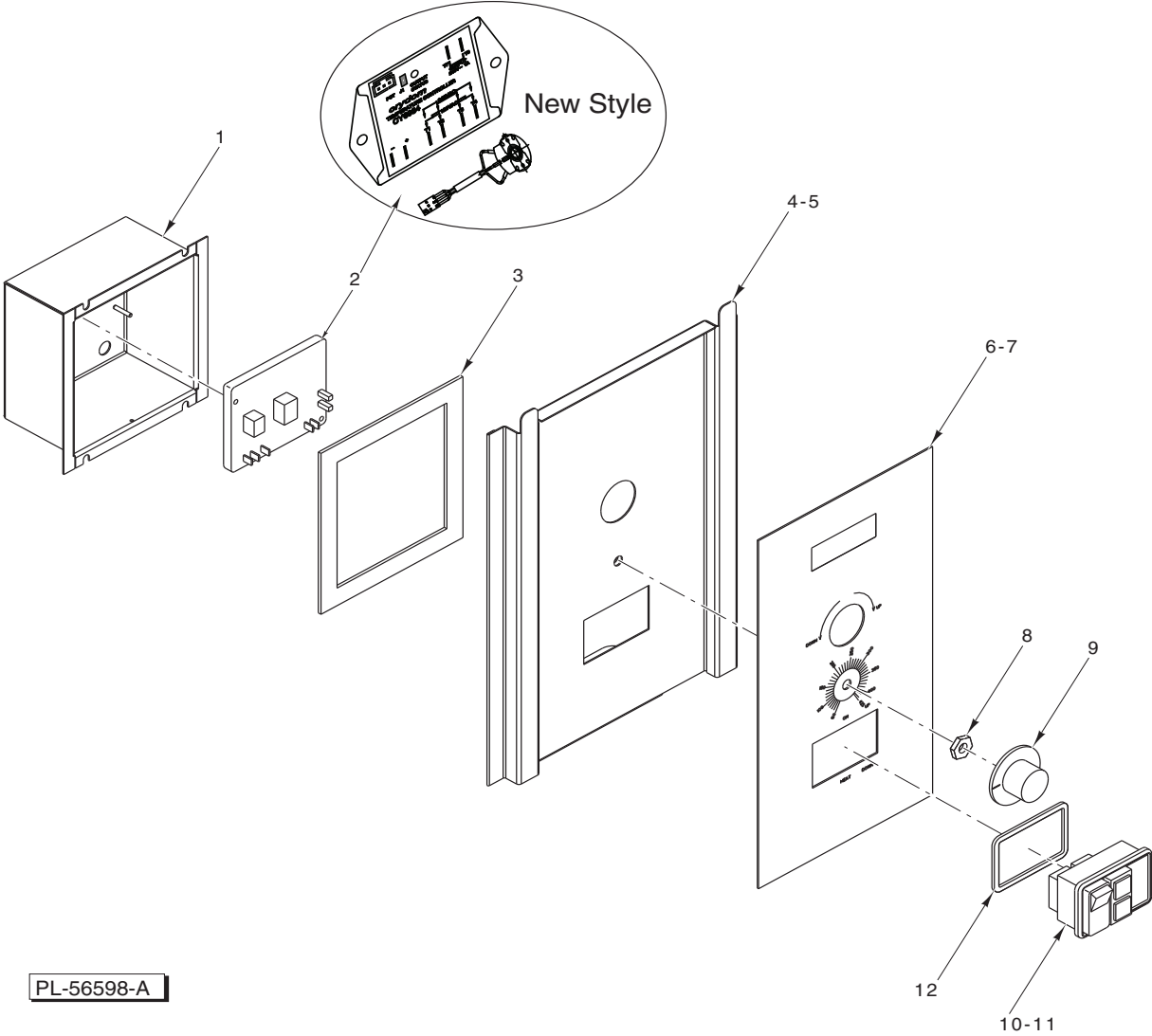
<i>VG30</i>	<i>ML-126847</i>
<i>VG40</i>	<i>ML-126848</i>
<i>VE30</i>	<i>ML-126849</i>
<i>VE40</i>	<i>ML-126850</i>



For additional information on Vulcan-Hart Company or to locate an authorized parts and service provider in your area, visit our website at www.vulcanhart.com

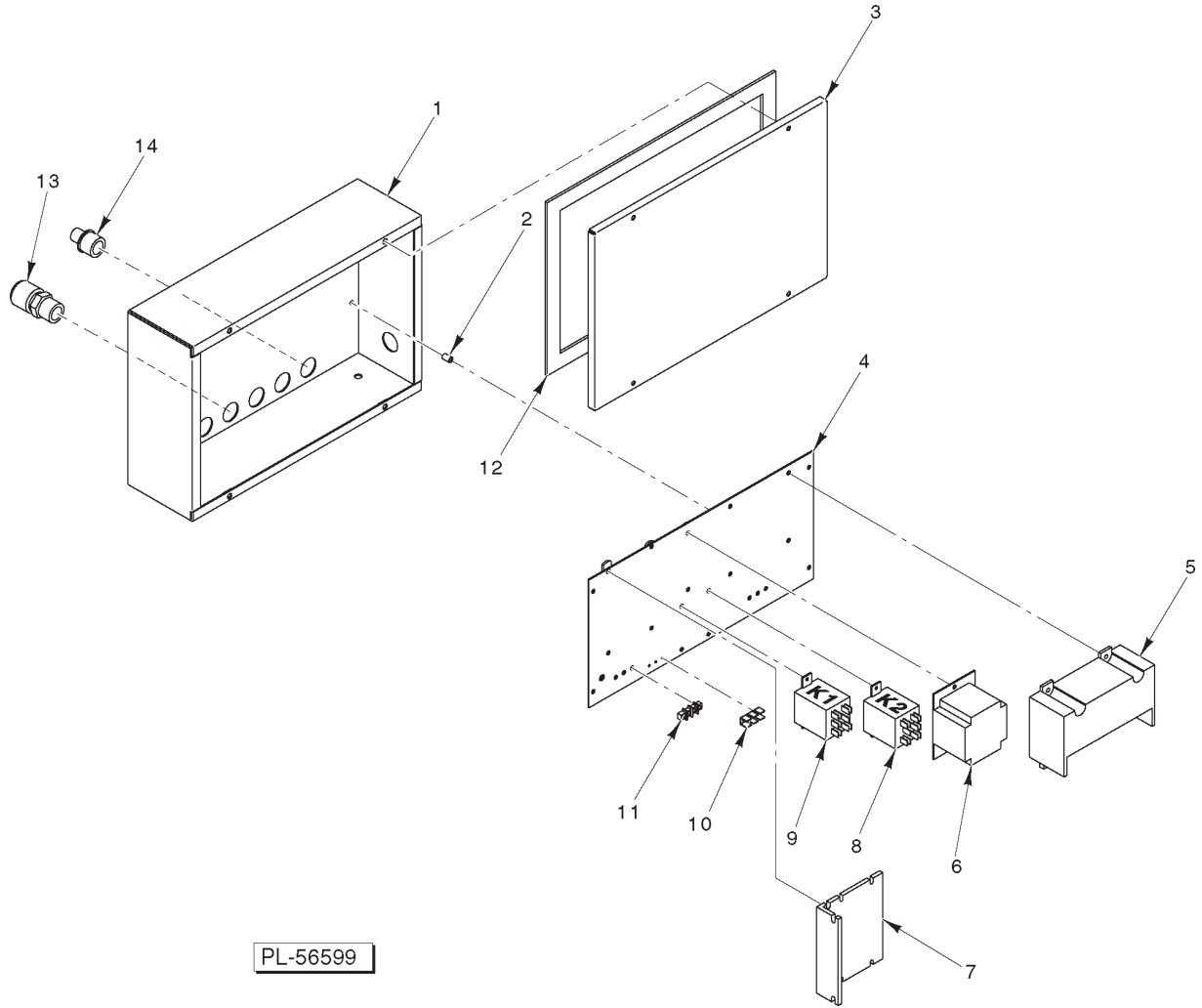
Table of Contents

Page	Description
3	Control Panel
4	Power Box – Gas (ML-126847 & ML-126848)
6	Power Boxes – Electric (ML-126849 & ML-126850)
8	Lid Assembly
9	Lid Bearing (Right Side)
11	Lid Bearing (Left Side)
13	Panels
15	Pan and Lift Unit
17	Heating Elements (ML-126849 & ML-126850)
19	Gas Burners (ML-126847 & ML-126848)
21	Gas Piping (ML-126847 & ML-126848)
23	Draw Off Valve Parts
24	Recommended Spare Parts



CONTROL PANEL

ILLUS.	PART NO.	NAME OF PART	AMT.
PL-56598-A			
1	00-854817-00001	Box – Control	1
2	00-857112-00002	Board – Temperature (From 12-31-07 to Present)	1
	00-857389-00001	Potentiometer (Use With 00-857112-00002 Temperature Controller)	1
	00-857398-00001	Temperature Controller Replacement Kit (To Replace Temp. Board Used Prior to 12-31-07) ..	1
3	00-854664-00003	Gasket – Control Panel	1
4	00-854814-00001	Panel – Control Weldment (Short)	1
5	00-854814-00002	Panel – Control Weldment (Long)	1
6	00-854661-00001	Overlay – Control Panel (Manual)	1
7	00-854661-00002	Overlay – Control Panel (Automatic)	1
8	00-854693-00001	Seal Nut – Rotary Switch	1
9	00-854647-00001	Knob	1
10	00-854537-00001	Switch – Control (Manual)	1
11	00-854495-00001	Switch – Control (Automatic)	1
12	00-854696-00001	Gasket – Switch	1
	00-854703-00001	Harness – Control	1

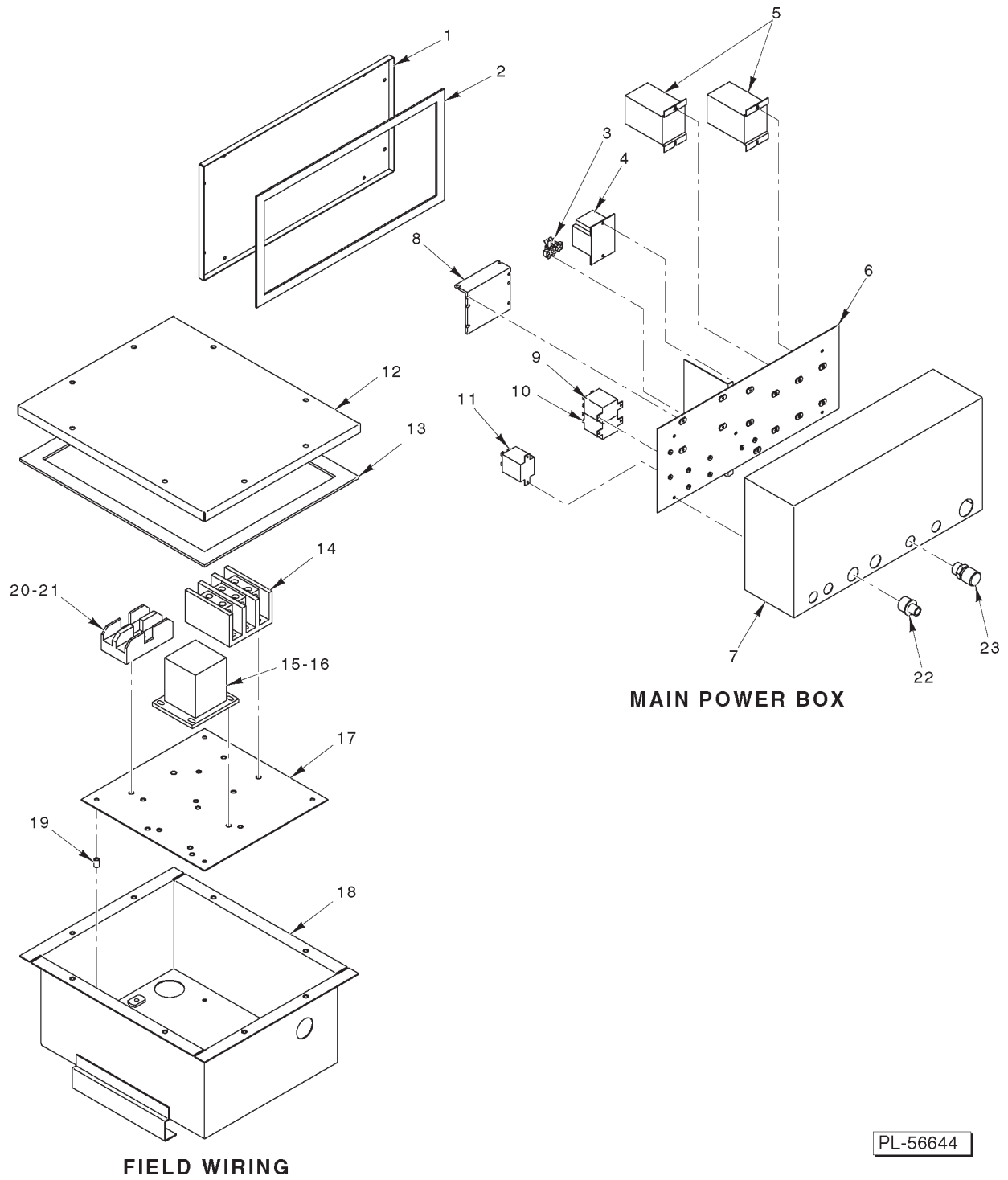


PL-56599

**POWER BOX – GAS
(ML-126847 & ML-126848)**

**POWER BOX – GAS
(ML-126847 & ML-126848)**

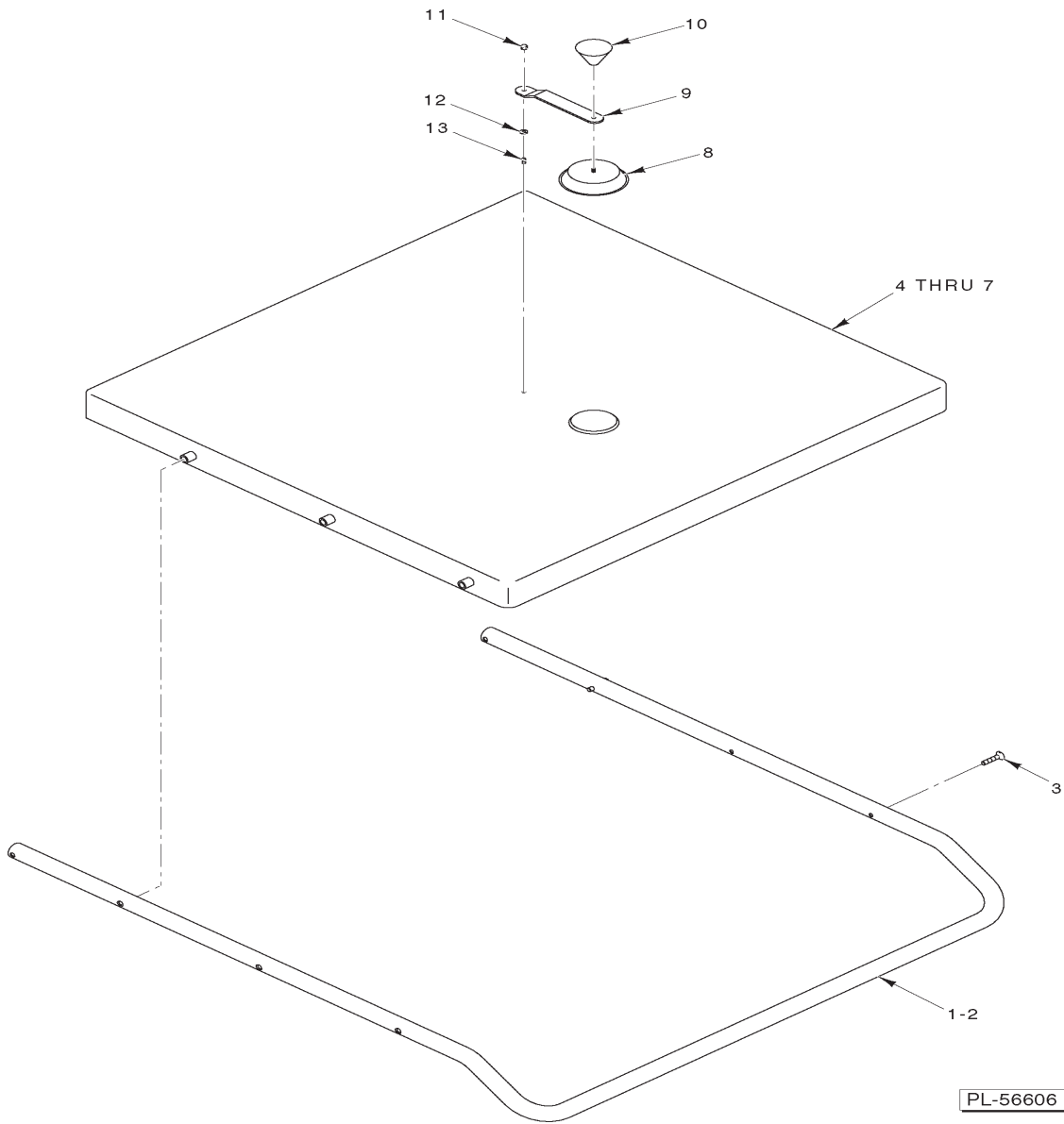
ILLUS.	PART NO.	NAME OF PART	AMT.
PL-56599			
1	00-854633-00001	Box – Power (Weldment)	1
2	00-853781-00001	Standoff	4
3	00-854637-00001	Cover – Power Box (Gas)	1
4	00-854635-00001	Panel – Component	1
5	00-857207-00001	Module – Ignitor	1
6	00-411500-00012	Transformer (120:24)	1
7	00-854671-00001	Controller – Speed (Auto Lift)	1
8	00-854545-00001	Relay (Auto Lift Up)	1
9	00-854545-00001	Relay (Auto Lift Down)	1
10	00-419317	Terminal – Stationary (Male)	1
11	00-854707-00002	Terminal Block (2 Pole)	1
12	00-854664-00002	Gasket – Power Box	1
13	00-854761-00002	Strain Relief (1/2 In.)	6
14	00-854764-00001	Plug – Strain Relief	0/3
	00-419315	Cord – Power (Not Shown)	1
	00-854708-00001	Harness – Gas Main	1
	00-854706-00001	Harness – Lift Motor (Optional)	1



**POWER BOXES – ELECTRIC
(ML-126849 & ML-126850)**

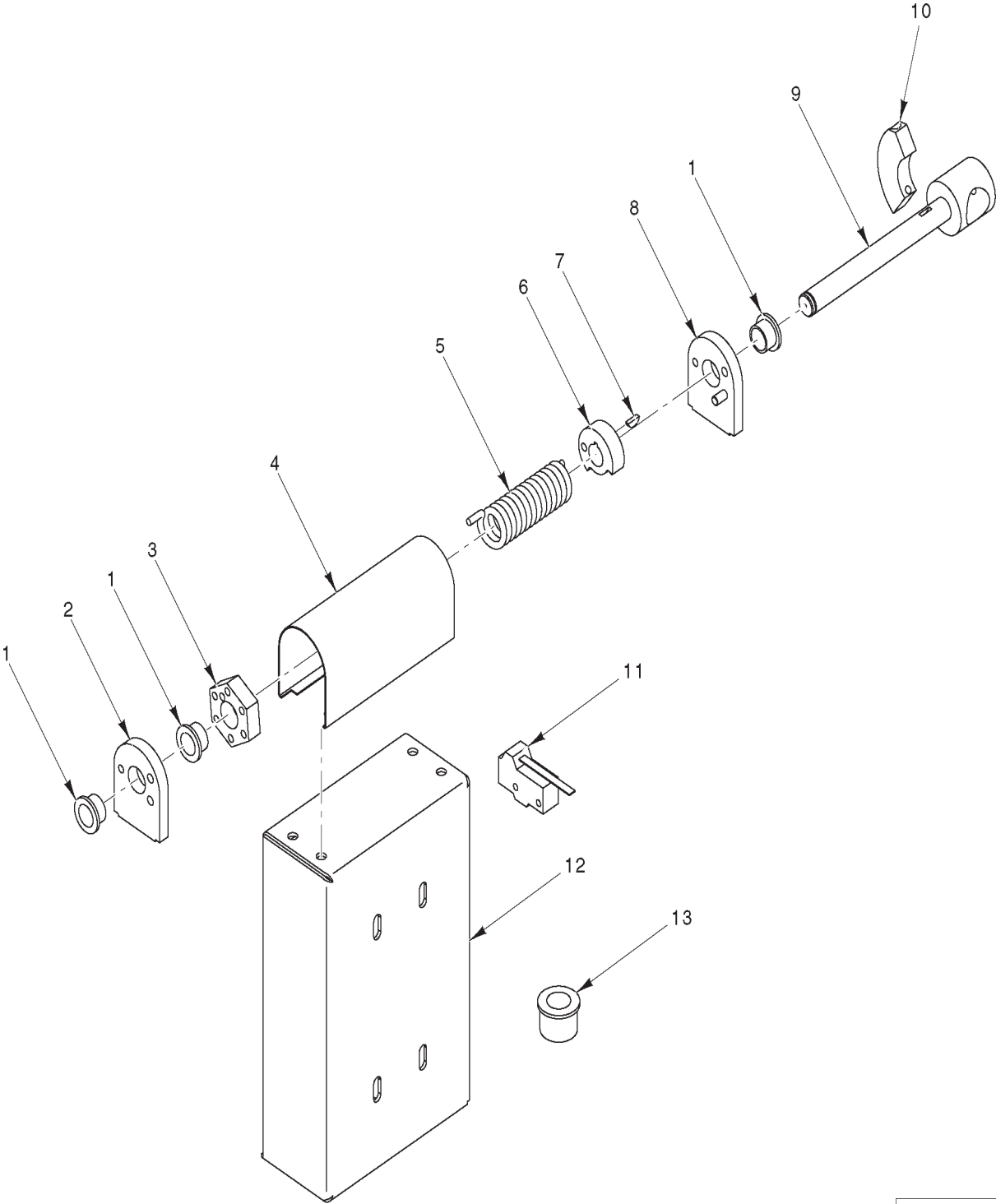
**POWER BOXES – ELECTRIC
(ML-126849 & ML-126850)**

ILLUS.	PART NO.	NAME OF PART	AMT.
PL-56644			
1	00-854609-00001	Lid – Power Box	1
2	00-854664-00001	Gasket – Power Box	1
3	00-854707-00002	Terminal Block (2 Pole)	1
4	00-411500-00012	Transformer (120:24)	1
5	00-840115	Contactor (25 Amp.)	2/3
6	00-854554-00001	Panel – Weldment	1
7	00-854607-00001	Box – Power	1
8	00-854671-00001	Controller – Speed (Auto Lift)	1
9	00-854545-00001	Relay (Auto Lift Up)	1
10	00-854545-00001	Relay (Auto Lift Down)	1
11	00-854545-00001	Relay	1
12	00-855037-00001	Lid – Field Connection Box	1
13	00-854664-00004	Gasket – Field Connection Box	1
14	00-410472-00008	Terminal Block (3 Pole)	1
15	00-855036-00001	Transformer (240 V.)	1
16	00-855035-00001	Transformer (Auto Lift) (240 V.)	1
17	00-855033-00001	Panel – Weldment	1
18	00-855031-00001	Box – Field Connection	1
19	00-853781-00001	Standoff	4
20	00-855028-00001	Fuse Block	1
21	00-423986-00001	Fuse (KTK-R-3)	2
22	00-854764-00001	Plug – Strain Relief	0/3
23	00-854761-00001	Strain Relief (1/4 In.)	6
	00-854711-00001	Harness – Electric Main	1
	00-854706-00001	Harness – Lift Motor (Optional)	1
	00-854716-00001	Harness – Power (40 Gallon)	1
	00-854716-00002	Harness – Power (30 Gallon)	1



LID ASSEMBLY

ILLUS.	PART NO.	NAME OF PART	AMT.
PL-56606			
1	00-854573-00001	Handle – Lid (30 Gallon)	1
2	00-854573-00002	Handle – Lid (40 Gallon)	1
3	SC-023-23	Mach. Screw 1/4-20 x 1 1/4 Slotted Oval Hd.	6
4	00-854578-00001	Lid Weldment (W/O Vent) (30 Gallon)	1
5	00-854578-00002	Lid Weldment (W/Vent) (30 Gallon)	1
6	00-854579-00001	Lid Weldment (W/O Vent) (40 Gallon)	1
7	00-854579-00002	Lid Weldment (W/Vent) (40 Gallon)	1
8	00-358004-00001	Cover – Vent (Optional)	1
9	00-358005	Spring – Vent Cover (Optional)	1
10	00-120054-00002	Knob (Optional)	1
11	NS-025-04	Crown Nut 1/4-20	1
12	WS-022-06	Washer	4
13	00-911035-00004	Stud 1/4-20 x 1/2	1

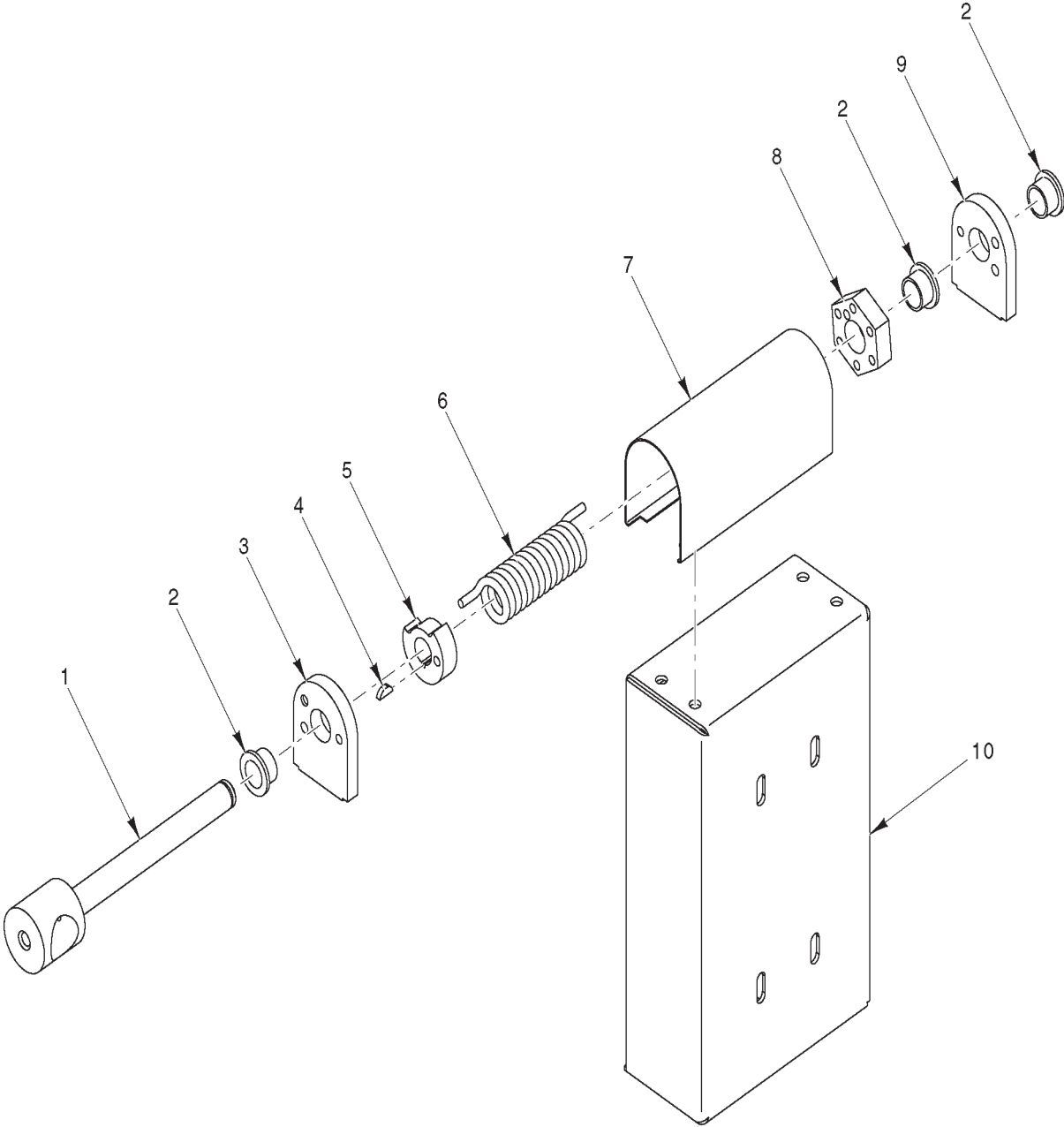


PL-56605

LID BEARING (RIGHT SIDE)

LID BEARING (RIGHT SIDE)

ILLUS.	PART NO.	NAME OF PART	AMT.
PL-56605			
1	00-854567-00001	Bearing – Lid	3
2	00-854562-00001	Housing – Lid Bearing	1
3	00-854565-00001	Lock Nut – Lid Spring	1
4	00-854558-00001	Lid – Bearing Cover	1
5	00-854569-00001	Spring – Torsion (LH)	1
6	00-854564-00001	Retainer – Lid Spring	1
7	KW-003-04	Key – Woodruff	1
8	00-854639-00002	Housing Assy. – Lid Bearing	1
9	00-854561-00001	Mandrel – Lid Spring	1
10	00-854804-00001	Trigger – Lid Switch (Auto Lift)	1
11	00-411496-000F1	Switch – Micro (Auto Lift)	1
12	00-854559-00002	Bracket – Lid Support	1
13	00-854765-00001	Bushing – Snap (Auto Lift)	2
	00-854704-00001	Harness – Lid Switch (Optional)	1
	00-854678-00001	Lock Pin	1
	SC-041-01	Screw, Cap 1/4-20 X 3/4 Hex	4

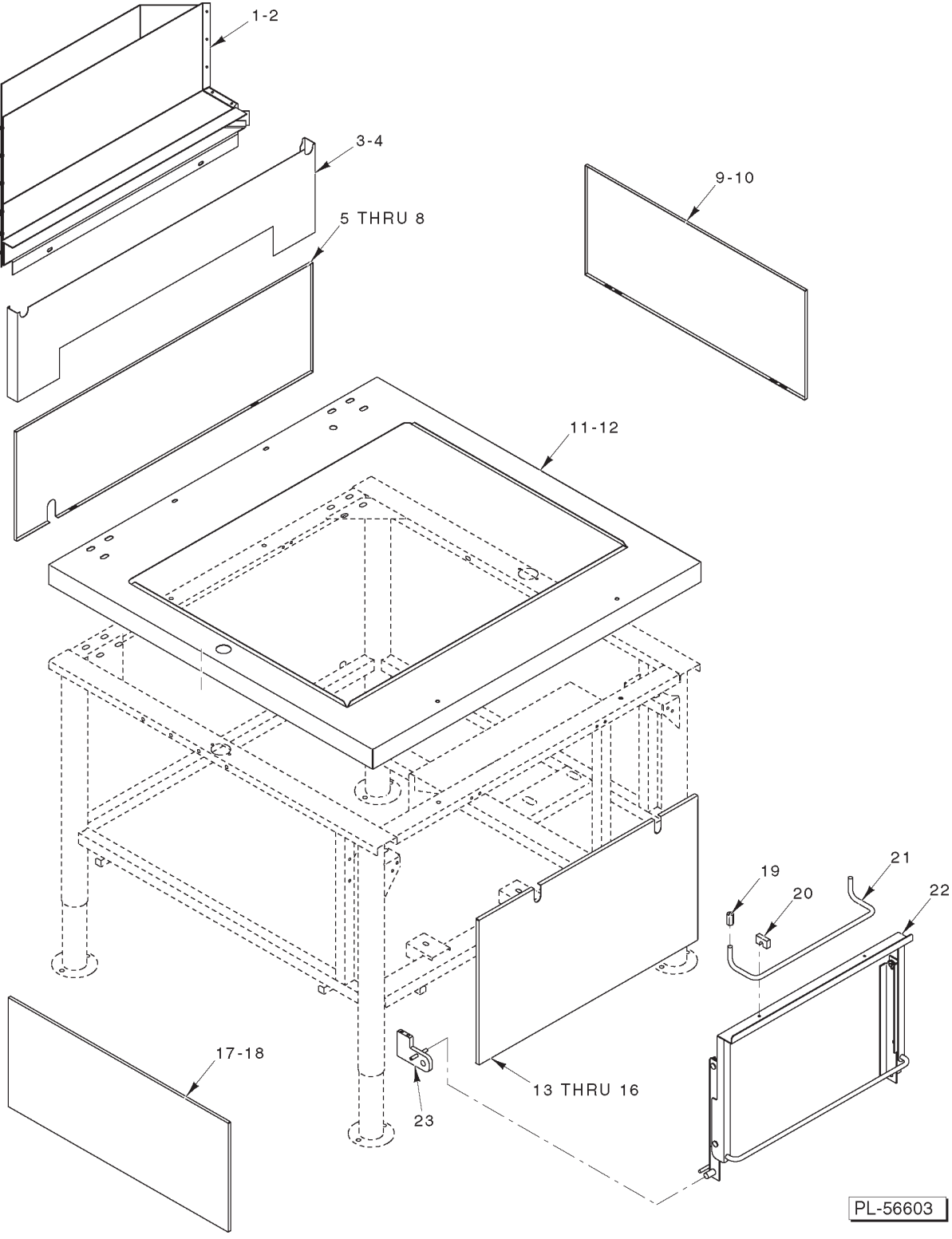


PL-56604

LID BEARING (LEFT SIDE)

LID BEARING (LEFT SIDE)

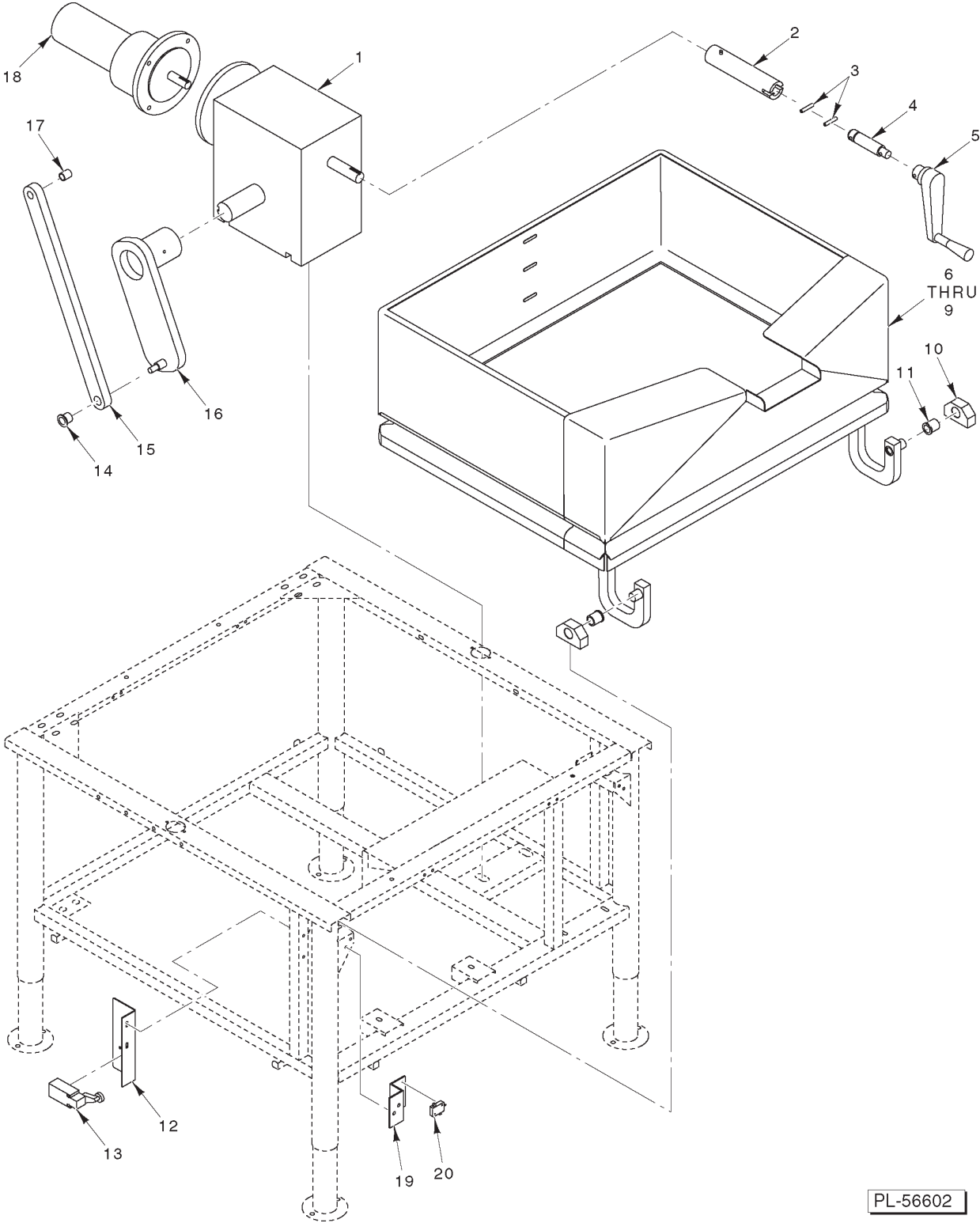
ILLUS.	PART NO.	NAME OF PART	AMT.
PL-56604			
1	00-854561-00001	Mandrel – Lid Spring	1
2	00-854567-00001	Bearing – Lid	3
3	00-854639-00001	Housing Assy. – Lid Bearing	1
4	KW-003-04	Key – Woodruff	1
5	00-854564-00001	Retainer – Lid Spring	1
6	00-854569-00002	Spring – Torsion (RH)	1
7	00-854558-00001	Lid – Bearing Cover	1
8	00-854565-00001	Lock Nut – Lid Spring	1
9	00-854562-00001	Housing – Lid Bearing	1
10	00-854559-00001	Bracket – Lid Support	1
	00-854678-00001	Lock Pin	1
	SC-041-01	Screw, Cap 1/4-20 X 3/4 Hex	4



PANELS

PANELS

ILLUS.	PART NO.	NAME OF PART	AMT.
	PL-56603		
1	00-854550-00001	Flue Assy. (30 Gallon) (ML-126847)	1
2	00-854555-00001	Flue Assy. (40 Gallon) (ML-126848)	1
3	00-854546-00001	Back Splash Assy. (30 Gallon)	1
4	00-854547-00001	Back Splash Assy. (40 Gallon)	1
5	00-854585-00002	Panel – Back (30 Gallon)	1
6	00-854585-00003	Panel – Back (40 Gallon)	1
7	00-854881-00003	Panel – Back (30 Gallon) (Modular)	1
8	00-854881-00004	Panel – Back (40 Gallon) (Modular)	1
9	00-854585-00001	Panel – Side	1
10	00-854881-00005	Panel – Side (Modular)	1
11	00-854508-00001	Table – Top (30 Gallon)	1
12	00-854506-00001	Table – Top (40 Gallon)	1
13	00-854587-00001	Panel – Front (30 Gallon)	1
14	00-854587-00002	Panel – Front (40 Gallon)	1
15	00-854881-00001	Panel – Front (30 Gallon) (Modular)	1
16	00-854881-00002	Panel – Front (40 Gallon) (Modular)	1
17	00-854585-00001	Panel – Side	1
18	00-854881-00005	Panel – Side (Modular)	1
19	00-854752-00001	Nut – Reducing	2
20	00-854684-00001	Clamp – Pan Hanger	2
21	00-854689-00001	Hanger – Pan	1
22	00-854720-00001	Hanger – Pan Assy.	1
23	00-854697-00001	Support – Pan Hanger	2
	00-854733-00001	U-Bolt 1/4-20 (Gas Only)	2

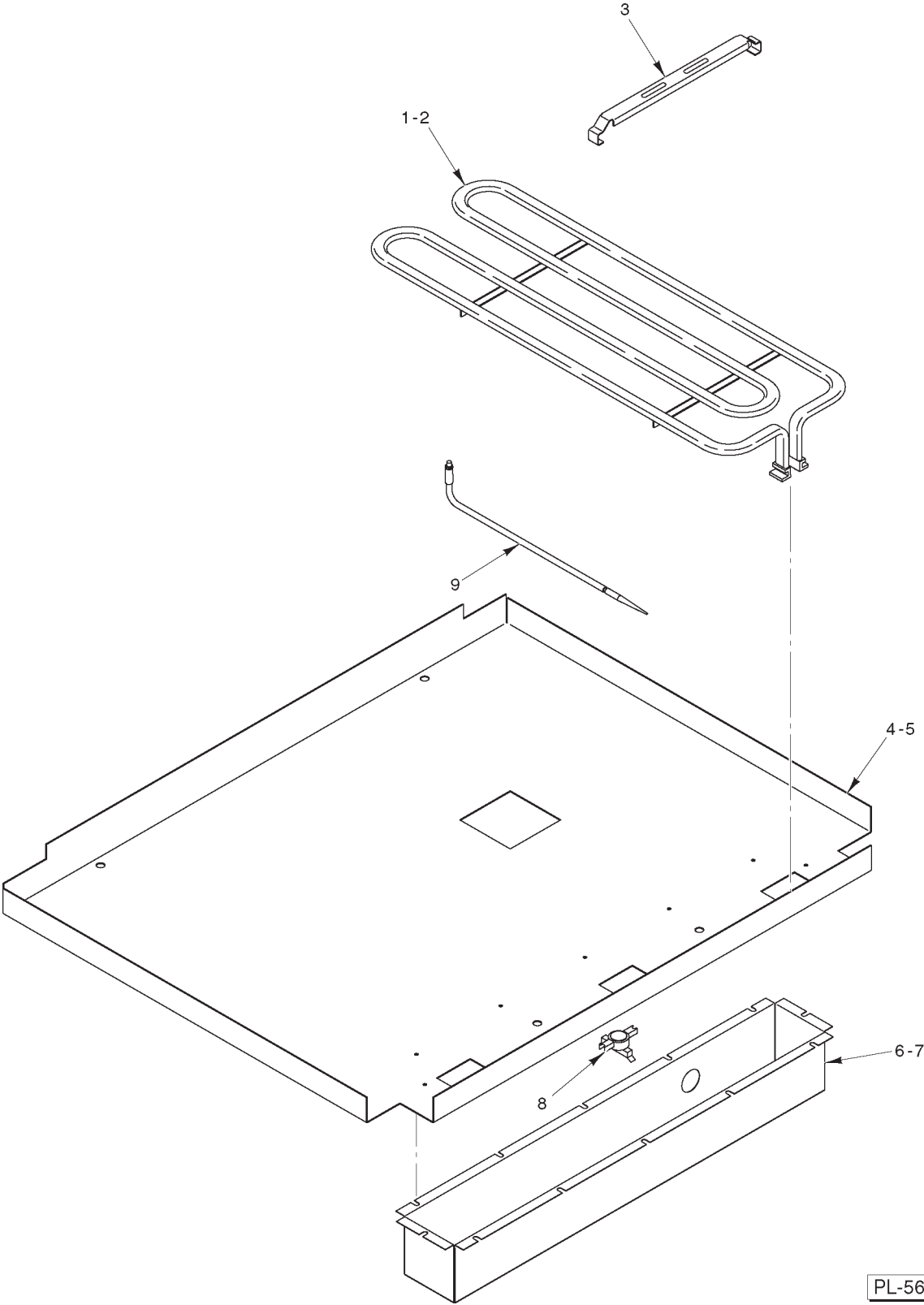


PL-56602

PAN AND LIFT UNIT

PAN AND LIFT UNIT

ILLUS.	PART NO.	NAME OF PART	AMT.
	PL-56602		
1	00-854577-00001	Gear – Reducer	1
2	00-854648-00001	Extension – Gear Reducer Shaft (Prior to 12-1-03)	1
	00-854644-00001	Extension – Gear Reducer Shaft (From 12-1-03 to Present)	1
3	RP-002-46	Roll Pin 1/4	2
4	00-854652-00001	Shaft – Handle	1
5	00-854651-00001	Handle – Crank	1
6	00-854600-00002	Pan – Braising (ML-126847)	1
7	00-854641-00002	Pan – Braising (ML-126848)	1
8	00-854600-00001	Pan – Braising (ML-126849)	1
9	00-854641-00001	Pan – Braising (ML-126850)	1
10	00-854507-00001	Block – Bearing	2
11	00-854617-00001	Bearing	2
12	00-854524-00001	Bracket – Limit Switch	1
13	00-854517-00001	Switch – Limit	1
14	00-854654-00001	Bearing – Lift Arm	1
15	00-854514-00001	Arm – Lift	1
16	00-854580-00001	Crank Assy.	1
17	00-854655-00001	Bearing – Lift Arm (Pan Side)	1
18	00-854653-00001	Motor – Gear (Auto Lift)	1
19	00-854611-00001	Bracket – Up Switch (Auto Lift)	1
20	00-411496-000F3	Switch – Micro (Auto Lift)	1
	00-854679-00001	Bearing – Block Lift	2
	00-854666-00001	Strainer – Pour Lip	1
	00-854751-00001	Cover – Thermocouple Insulation	2
	00-854674-00001	Clamp – Holder	8/12
	00-854619-00001	Clip – Thermocouple	1
	00-854614-00001	Support – Thermocouple	1
	00-854613-00001	Bracket – Thermocouple	1
	00-854543-00001	Bracket – Insulation Cover	4
	00-854705-00001	Harness – Up Limit Switch (Auto Lift) (Optional)	1
	00-854702-00001	Harness – Pan Switch	1
	00-854584-00001	Pin – Lift Arm to Pan	1

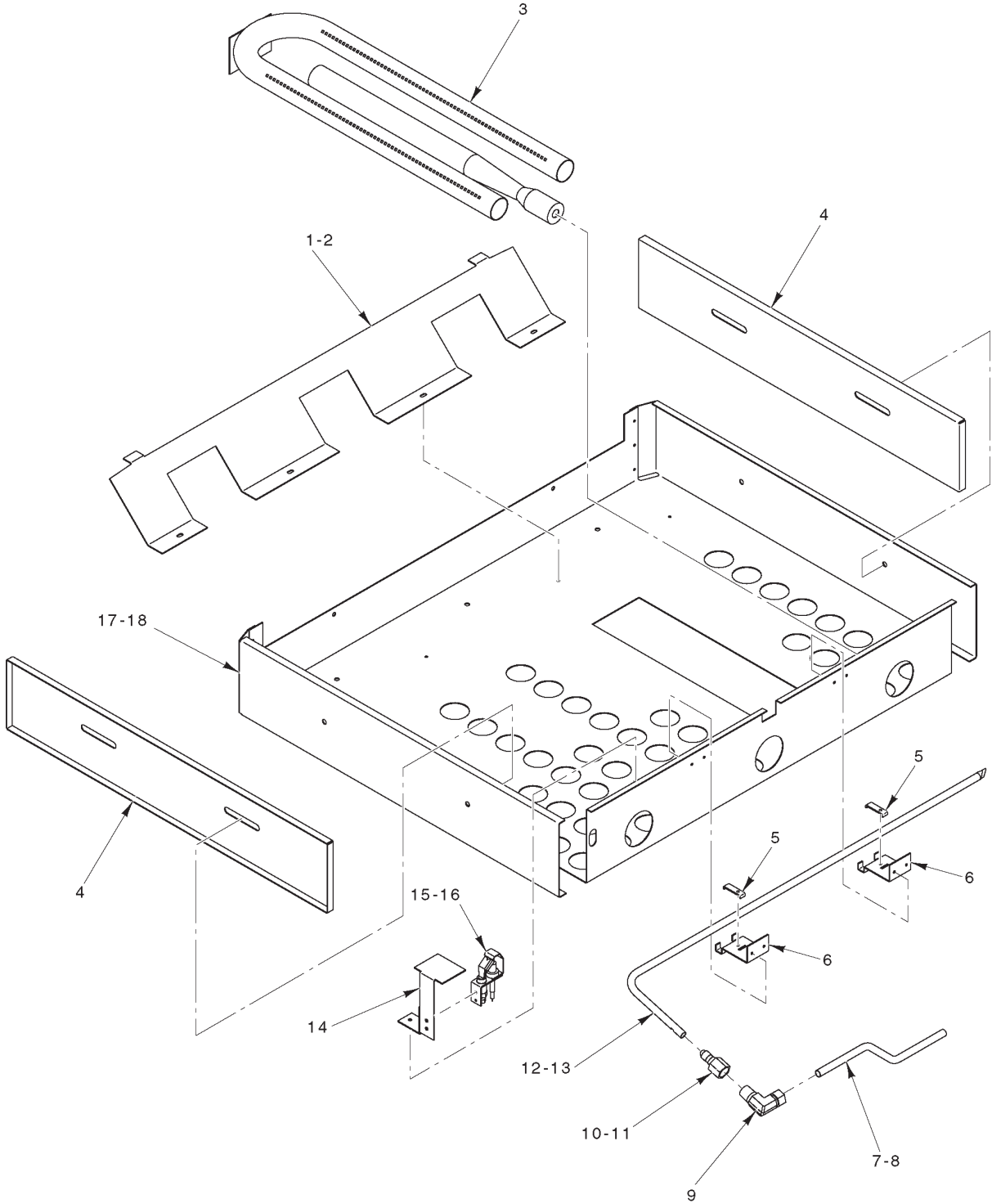


PL-56645

**HEATING ELEMENTS
(ML-126849 & ML-126850)**

**HEATING ELEMENTS
(ML-126849 & ML-126850)**

ILLUS. PL-56645	PART NO.	NAME OF PART	AMT.
1	00-854511-00001	Element – Heating (240 V.)	3/4
2	00-854511-00002	Element – Heating (480 V.)	3/4
3	00-854509-00001	Clamp – Heater	12/16
4	00-854542-00001	Cover – Insulation (30 Gallon)	1
5	00-854542-00002	Cover – Insulation (40 Gallon)	1
6	00-854544-00001	Cover – Harness (30 Gallon)	1
7	00-854544-00002	Cover – Harness (40 Gallon)	1
8	00-821762	Thermostat – Hi-Limit	1
9	00-854646-00001	Thermocouple (E-Type) (Prior to 12-31-07)	1
	00-857388-00001	Thermocouple (K-Type) (With Temp. Board 00-857112-00002) (12-31-07 to Present)	1
	00-854713-00001	Harness – Element (VE40)	1
	00-854713-00002	Harness – Element (VE30)	1

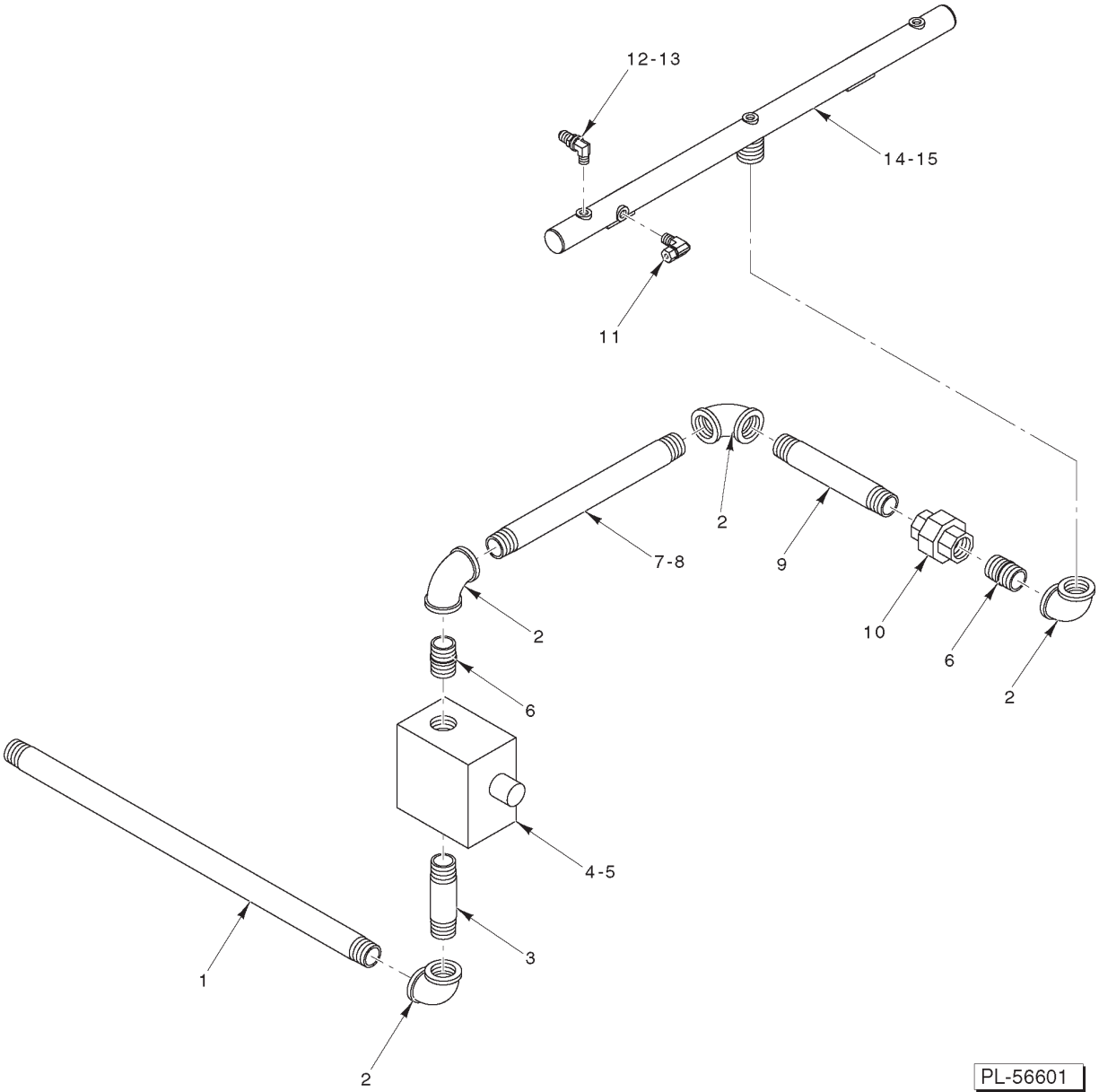


PL-56600

**GAS BURNERS
(ML-126847 & ML-126848)**

**GAS BURNERS
(ML-126847 & ML-126848)**

ILLUS. PL-56600	PART NO.	NAME OF PART	AMT.
1	00-854592-00001	Flue – Transition Plate (30 Gallon)	1
2	00-854627-00001	Flue – Transition Plate (40 Gallon)	1
3	00-840144	Burner – Air Shutter Assy.	3/4
4	00-854593-00001	Cover – Insulation	2
5	00-854830-00001	Clamp – Runner Tube	2
6	00-854594-00001	Bracket – Runner Tube	2
7	00-854665-00001	Tube – Gas Supply (30 Gallon)	1
8	00-854665-00002	Tube – Gas Supply (40 Gallon)	1
9	FP-012-21	Fitting 1/4 Tube	1
10	00-920186-00014	Orifice – Spud (Nat)	1
11	00-920186-00012	Orifice – Spud (LP)	1
12	00-854626-00001	Tube – Runner (30 Gallon)	1
13	00-854626-00002	Tube – Runner (40 Gallon)	1
14	00-854595-00001	Bracket – Pilot	1
15	00-856615-00001	Pilot – Burner (Nat) (Electronic Ignition) (With Ignition Cable)	1
16	00-856615-00002	Pilot – Burner (LP) (Electronic Ignition) (With Ignition Cable)	1
17	00-854591-00001	Box – Burner (30 Gallon)	1
18	00-854625-00001	Box – Burner (40 Gallon)	1
	00-854646-00001	Thermocouple (E-Type) (Prior to 12-31-07)	1
	00-857388-00001	Thermocouple (K-Type) (With Temp. Board 00-857112-00002) (12-31-07 to Present)	1
	00-856616-00001	Pilot Burner Kit (For Units Built Before S/N 271152844)	1
	00-854751-00001	Thermocouple Cover	2



PL-56601

GAS PIPING

**GAS PIPING
(ML-126847 & ML-126848)**

ILLUS. PL-56601	PART NO.	NAME OF PART	AMT.
1	FP-077-47	Pipe 3/4 x 20 1/4	1
2	FP-013-22	Elbow Pipe 3/4 x 90 Deg.	4
3	FP-036-06	Pipe 3/4 x 3 1/2	1
4	00-844133-00001	Valve – Combination (Nat)	1
5	00-844133-00002	Valve – Combination (LP)	1
6	FP-036-92	Pipe 3/4 x 1 3/8	2
7	FP-036-98	Pipe 3/4 x 10 1/4 (30 Gallon)	1
8	FP-083-52	Pipe 3/4 x 16 (40 Gallon)	1
9	FP-059-65	Pipe 3/4 x 6	1
10	FP-022-17	Union – Pipe	1
11	FP-012-21	Fitting 1/4 Tube	1
12	00-840096-00039	Fitting – Burner (Nat. Gas) (#39)	1/2
	00-840096-00022	Fitting – Burner (L.P. Gas) (#52)	1/2
13	00-840096-00037	Fitting – Burner (Nat. Gas) (#37)	2
	00-840096-00050	Fitting – Burner (L.P. Gas) (#50)	2
14	00-854597-00001	Manifold Assy. (30 Gallon)	1
15	00-854630-00001	Manifold Assy. (40 Gallon)	1
	00-854668-00001	Cover – Gas Valve	1
	00-854669-00001	Cap – Gas Valve	1
	00-426505-00018	Tube – Flex 1/4 O.D. x 18 In. Lg.	1
	00-854701-00001	Harness – Gas Valve	1

ORIFICE ARRANGEMENT

Natural Gas: VG30 = 39-37-39
 VG40 = 39-37-37-39

L.P. Gas: VG30 = 50-52-50
 VG40 = 50-52-52-50

2" TANGENT DRAW-OFF VALVE PARTS

PART NO.	NAME OF PART	AMT.
00-854605-00002	Valve Body	1
00-854605-00003	O-Ring	1
00-854605-00004	Disc & Stem Assy.	1
00-854605-00005	Bonnet	1
00-854605-00006	Hex Nut	1
00-854605-00007	Handle	1
00-854605-00008	Wing Nut	1

RECOMMENDED SPARE PARTS LIST (VG30 & VG40)

PART NO.	NAME OF PART	AMT.
00-856616-00001	Pilot Assy. Kit (Old Style)	1
00-856615-00001	Pilot Burner (Nat. Gas) (With Cable 9-16-05)	2
00-856615-00002	Pilot Burner (L.P. Gas) (With Cable 9-16-05)	2
00-844133-00001	Valve (Nat. Gas)	2
00-844133-00002	Valve (L.P. Gas)	2
00-854495-00001	Control Switch (Auto-Lift)	2
00-854537-00001	Control Switch (Manual Lift)	2
00-857112-00002	Temperature Control Board (12-31-07 to Present)	2
00-857398-00001	Temperature Controller Replacement Kit (To Replace Temp. Board Used Prior to 12-31-07) ..	1
00-854646-00001	Thermocouple / Temperature Probe (E-Type) (Prior to 12-31-07)	2
00-857388-00001	Thermocouple (K-Type) (With Temp. Board 00-857112-00002) (12-31-07 to Present)	1
00-854545-00001	Auto-Lift Relay	2
00-411500-00012	Transformer (120/24)	2
00-854517-00001	Pan Limit Switch	2
00-857207-00001	Ignitor Module	2
00-844130-00001	Ignitor Cable (Old Style)	2
00-411496-000F1	Lid Switch Auto-Lift	2

RECOMMENDED SPARE PARTS LIST (VE30 & VE40)

PART NO.	NAME OF PART	AMT.
00-840115	Contactora (25-amp)	2
00-854511-00001	Element (208/240V)	2
00-854511-00002	Element (480V)	1
00-854646-00001	Thermocouple / Temperature Probe (E Type) (Prior to 12-31-07)	2
00-857388-00001	Thermocouple (K-Type) (With Temp. Board 00-857112-00002) (12-31-07 to Present)	1
00-854517-00001	Pan Limit Switch	2
00-857112-00002	Temperature Control Board (12-31-07 to Present)	1
00-857398-00001	Temperature Controller Replacement Kit (To Replace Temp. Board Used Prior to 12-31-07) ..	1
00-854537-00001	Control Switch (Manual Lift)	2
00-854545-00001	Heat Relay (24VAC)	2
00-821762	High Limit Thermostat	2
00-411500-00012	Transformer (120/24)	1
00-855035-00001	Transformer (240/480/120) (50VA) (Manual)	1
00-854700-00001	Fuse (3-amp Time Delay 480V)	2
00-854545-00001	Relay (Auto-Lift)	2
00-854495-00001	Control Switch (Auto-Lift)	1
00-854671-00001	Speed Controller	1
00-854717-00001	Up Limit Micro Switch	1
00-855036-00001	Transformer (240/480/120) (150VA)	1
00-854653-00001	Gear Motor	1
00-411496-000F1	Lid Micro Switch (Auto-Lift)	2