



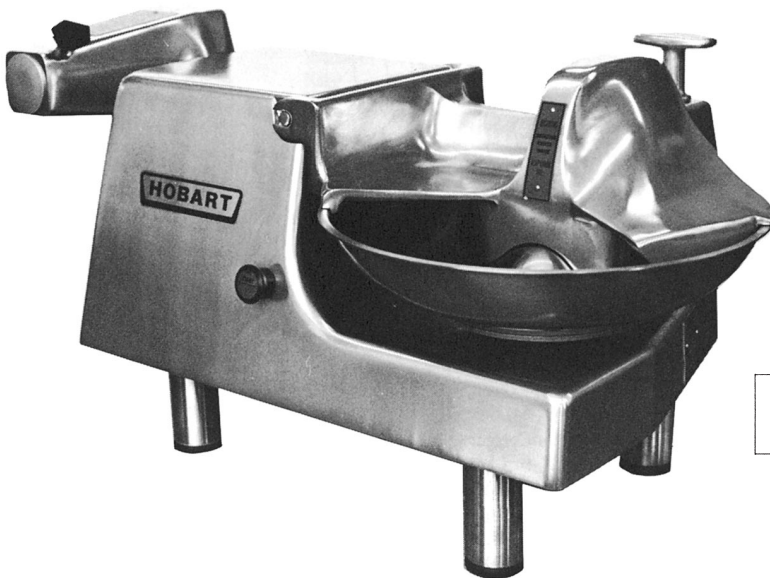
# CATALOG OF REPLACEMENT PARTS

## MODELS 8145 & 84145 FOOD CUTTERS

(INCLUDES MOTOR PARTS)

ML-33220 Model 8145  
(Without Gear Attach.)

ML-33221 Model 84145  
(With Gear Attach.)



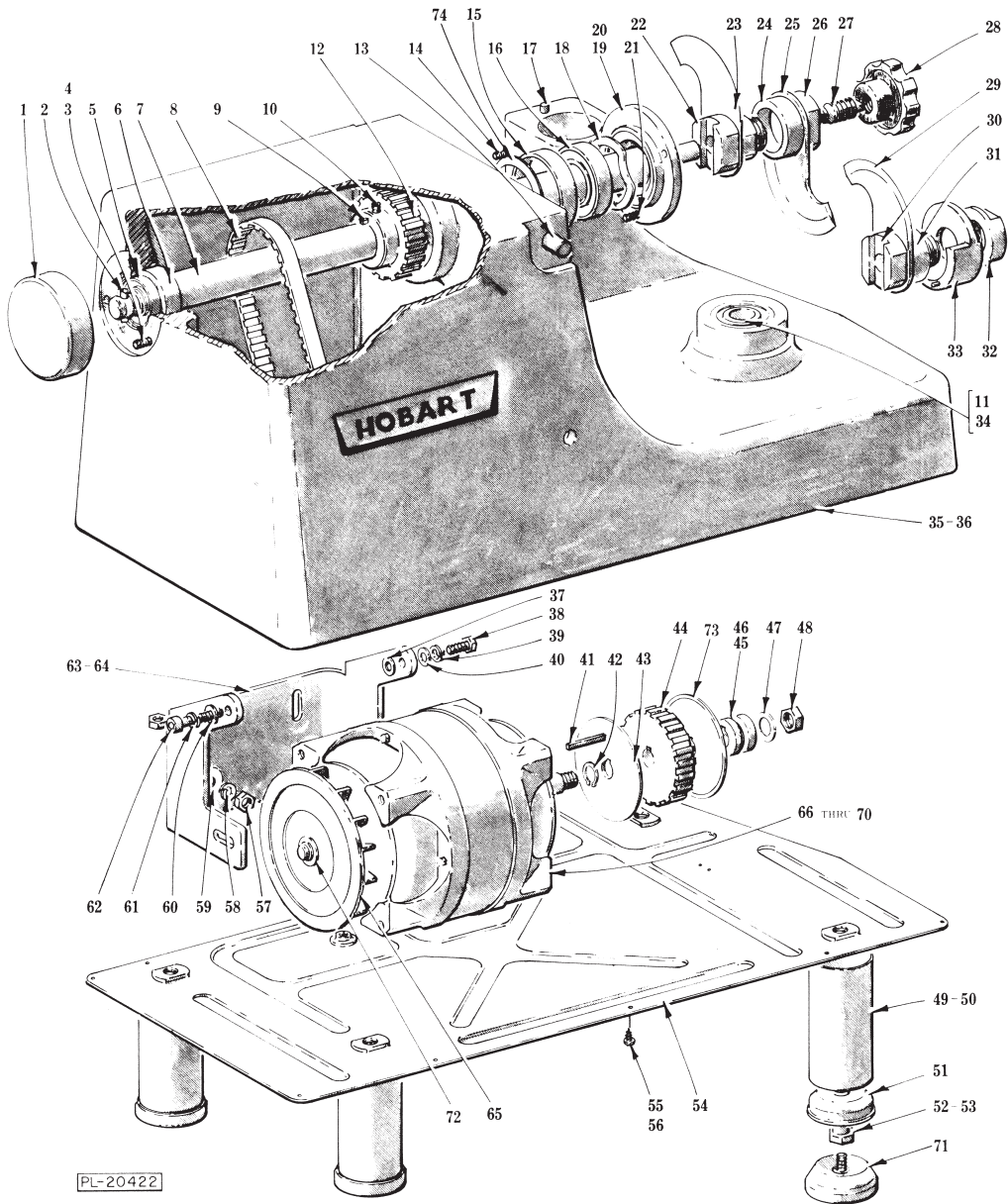
THIS MANUAL REPLACES AND SHOULD BE USED  
INSTEAD OF FORMS 14474 (Rev. A, 4-87) & 12046C (12-81).

PRIOR ML'S COVERED IN THIS MANUAL:

ML-18492 MODEL 8145  
(WITHOUT GEAR ATTACH.)

ML-18595 MODEL 84145  
(WITH GEAR ATTACH.)

8145 REPLACEMENT PARTS



MOTOR AND BASE UNIT

ILLUS. PL-20422	PART NO.	NAME OF PART <sup>23</sup>	AMT.
*1	116636	Cover - Trim	1
2	RP-2-5	Rollpin 1/4 Dia. x 7/8 Lg	1
*3	SD-27-17	Self-Tapping Screw 10-14 x 1 1/2 Pan Hd. "Plastite"	3
*4	WS-3-1	Washer	3
5	116657	Seal - Knife Shaft (Attachment End)	1
6	BB-7-52	Ball Bearing - Fafnir #205!KDD	1
7	116622	Shaft - Knife	1
8	116634	Belt - Timing (42T)	1
9	12430-143	Key	1
10	SC-88-70	Set Screw 10-24 x 1/4 Soc. Hdls., !Kn. Cup Pt	2
11	RR-7-7	Retaining Ring	2
12	116632	Pulley - Knife Shaft (20T)	1
13	116644	Shaft - Bowl Cover Hinge	1
14	SC-47-82	Set Screw 10-32 x 3/16 Soc. Hdls., Cup Pt	1
15	77362	Insert - Bearing	1

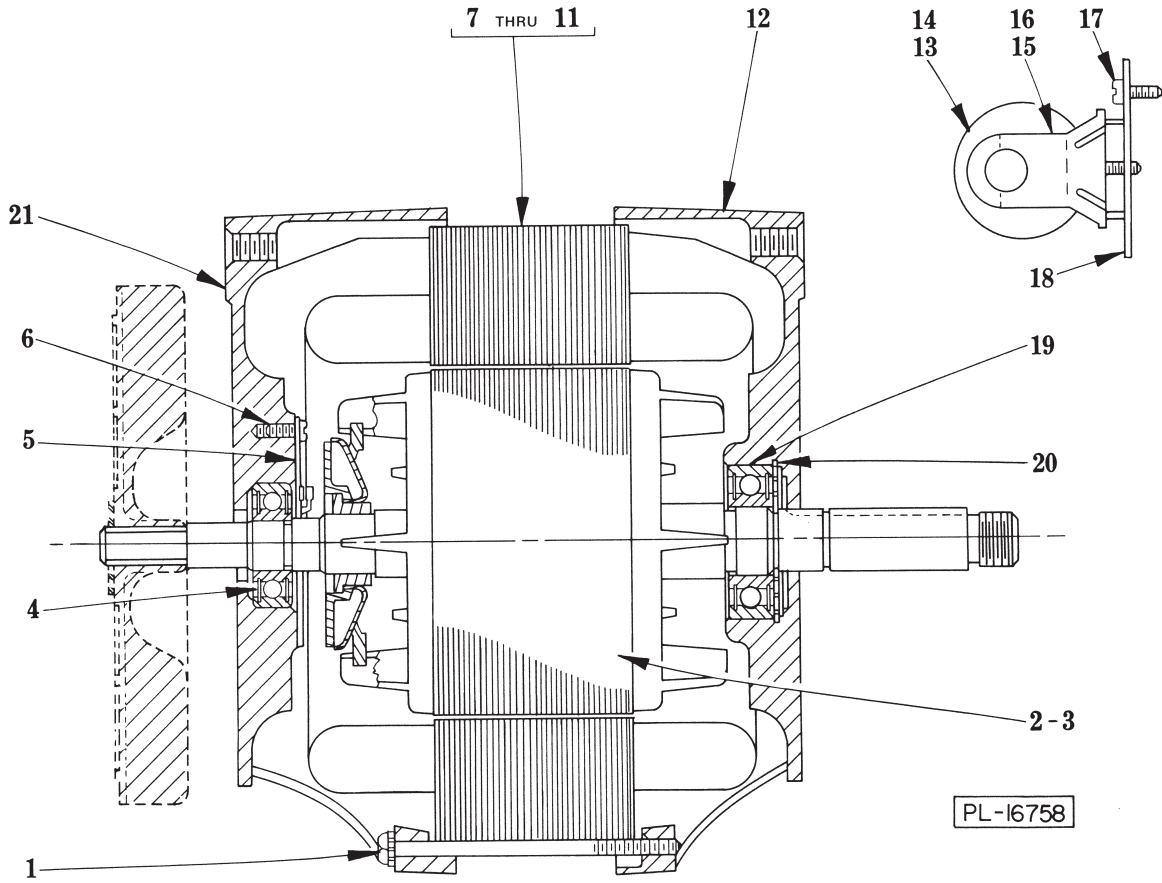
\*For Machines without Gear Attachment ONLY.

## MOTOR AND BASE UNIT (Cont.)

ILLUS. PL-20422	PART NO.	NAME OF PART <sup>23</sup>	AMT.
16	BB-15-22	Ball Bearing - Fafnir #9107KDD	1
17	11800-242	Dowel	1
18	SL-3-10	Loading Spring - Wavy	1
19	116633	Cap - End (!Knife End)	1
20	124669	Seal - !Knife Shaft (!Knife End)	1
21	SC-67-9	Mach. Screw 10-32 x 5/8 Trimm'd Hex Hd	3
22	71313	Bushing - !Knife Retaining	1
23	71309	!Knife - Rotary (Leader)	1
24	71312	Collar - !Knife Retaining Bushing	1
25	71310	!Knife - Rotary (Follower)	1
26	71311	Collar - Locking	1
27	78398	Insert - !Knife Shaft	1
28	77371	!Knob - Fluted	1
*29	17909	!Knife - Rotary (Follower)	1
*30	7157	Bushing - !Knife Retaining	1
*31	103903	Collar - !Knife Retaining Bushing	1
*32	103904	Locking Collar - !Knife Ret. Bushing	1
*33	23680	Balance - !Knife	1
34	BB-5-34	Ball Bearing - MRC 204SZZ	2
35	118088-1	Base, Bearing & Logo Assy. (1 Ph.) (Give Serial No., Mach. Model & Elec. Spec.)	1
36	118088-2	Base, Bearing & Logo Assy. (3 Ph.) (Give Serial No., Mach. Model & Elec. Spec.)	1
37	WS-6-48	Washer	AR
38	SC-36-27	Cap Screw 5/16-18 x 1 Hex Hd	2
39	WL-3-44	Lock Washer 5/16 Medium	2
40	WS-4-25	Washer	2
41	12430-64	!Key	1
42	RR-7-21	Retaining Ring - Heavy Duty	1
43	116649	Flange - Motor Pulley	1
44	116650	Pulley - Motor Timing (20T)	1
45	291589	Pulley - Motor Drive (ML-33220 & ML-33221)	1
46	117506	Pulley - Motor Drive (ML-18492 & ML-18595)	1
47	WS-29-28	Washer	1
48	NS-17-30	Jam Nut 1/2-20 Hex Fin	1
49	77772-2	Leg (3")	4
50	77772-1	Leg (4")	4
51	64814	End Cap - Leg	4
52	290061-3	Stud - Leg (3")	4
53	290061-2	Stud - Leg (4")	4
54	116712	Bottom Cover & Weld Nut Assy	1
55	SD-24-44	Self-Tapping Scw 10-24 x 1/2 Pan Hd. Type TT	10
56	WL-10-6	Lock Washer 10 Ext. Shakeproof	1
57	NS-13-14	Full Nut 5/16-18 Hex Fin	4
58	WL-3-44	Lock Washer 5/16 Medium	4
59	291284	Washer	4
60	WS-4-25	Washer	2
61	WL-3-44	Lock Washer 5/16 Medium	2
62	SC-40-16	Cap Screw 5/16-18 x 1 Soc. Hd	2
63	117037-1	Motor Bracket Assy. (Domestic) (60 Hz.)	1
64	117037-2	Motor Bracket Assy. (Export) (50 Hz.)	1
65	292466-2	Fan - Ventilating	1
*66	— — —	Hobart Built Motor Assy. (All Voltages)	1
67	293924-1	Other than Hobart Built Motor Assy. (100 V., 50 Hz., 1 Ph.) (115/230 V., 60 Hz., 1 Ph.)	1
68	293924-2	Other than Hobart Built Motor Assy. (115/220/240 V., 50 Hz., 1 Ph.)	1
69	293925-1	Other than Hobart Built Motor Assy. (230/460 V., 60 Hz., 3 Ph.) (220/380/240/415 V., 50 Hz., 3 Ph.)	1
70	293925-2	Other than Hobart Built Motor Assy. (200 V., 60 Hz., 3 Ph.)	1
71	83681	Foot - Rubber	4
72	RR-7-18	Retaining Ring - Gripping	1
73	116649	Flange - Motor Pulley	1
74	RR-11-20	Retaining Ring	1
**71386		Single !Knife & !Knife Balance Assy. (Incls. items 29 thru 33)	1
70487-1		Capacitor (Howell Motor)	1
66621-1		Bracket - Capacitor (Howell Motor)	1

\*Hobart Built Motor Assy. Discontinued. To replace order:  
 270473-1 — (60 Hz., 1 Ph. & 100 V., 50 Hz., 1 Ph.)  
 270473-2 — (50 Hz., 1 Ph. except 100 V., 50 Hz., 1 Ph.)  
 270473-3 — (60 Hz., 3 Ph. except 208 V., 60 Hz., 3 Ph.)  
 270473-4 — (60 Hz., 3 Ph. 208 V.)  
 270473-5 — (50 Hz., 3 Ph.)

\*\*Single !Knife Unit (Not NSF Approved). See page 9 for Comb.

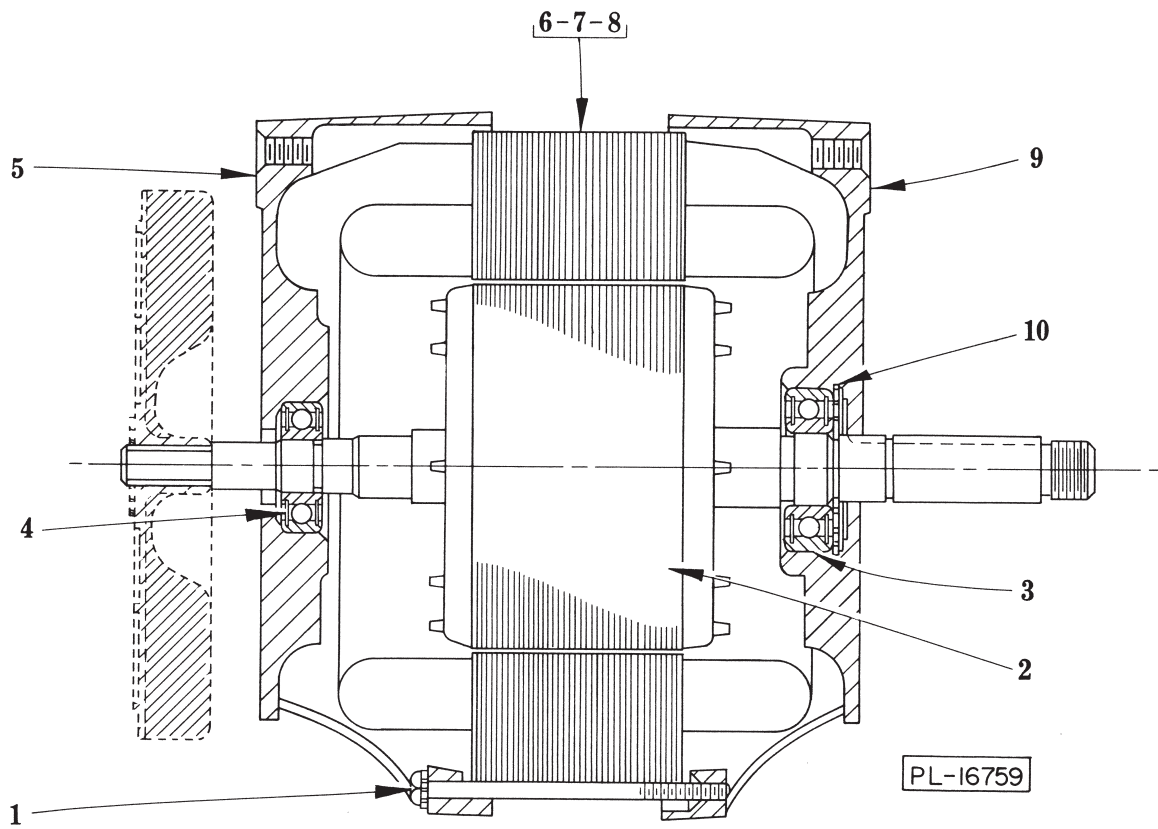


**HOBART BUILT MOTOR PARTS  
(1 PH.)**

## HOBART BUILT MOTORS PARTS (1 PH.)

ILLUS. PL-16758	PART NO.	NAME OF PART <sup>13</sup>	AMT.
1	101233-3	Bolt 8-32 x 3 Hex Hd . . . . .	4
2	22275-196	Rotor Assy. (60 Hz.) . . . . .	1
3	22275-200	Rotor Assy. (50 Hz.) . . . . .	1
4	BB-18-12	Ball Bearing - Fafnir #P201KDD . . . . .	1
5	111688-4	Switch - Starting (Stationary Part) . . . . .	1
6	SD-9-34	Self-Tapping Screw 6-32 x 3/8 Phil. Pan Hd., Type F . . . . .	2
7	65477-110-1	Stator Assy. (115 V., 60 Hz.; 100 V., 50 Hz.) . . . . .	1
8	65477-115-1	Stator Assy. (200 V., 60 Hz.) . . . . .	1
9	65477-115-2	Stator Assy. (230 V., 60 Hz.) . . . . .	1
10	65477-126-1	Stator Assy. (115 V., 50 Hz.) . . . . .	1
11	65477-126-2	Stator Assy. (220/240 V., 50 Hz.) . . . . .	1
12	111834	Bracket - Bearing (Drive End) . . . . .	1
13	70487-15	Capacitor . . . . .	1
14	70486-1	Cap - Capacitor End . . . . .	1
15	66621-3	Bracket - Capacitor . . . . .	1
16	SD-24-16	Self-Tapping Screw 10-24 x 1/2 Phil. Flat Hd., Type TT . . . . .	2
17	SD-15-4	Self-Tapping Screw 10-24 x 1/2 Phil. Hd., Type TT . . . . .	2
18	116655	Plate - Elec. Mtg . . . . .	1
19	BB-20-18	Ball Bearing - ND #77503 . . . . .	1
20	278380	Washer - Wavy . . . . .	1
21	111835-2	Bracket - Bearing (Switch End) . . . . .	1

Above motor parts are for Hobart Built Motors Only.  
Component parts for other than Hobart Built Motors are not available from Hobart.

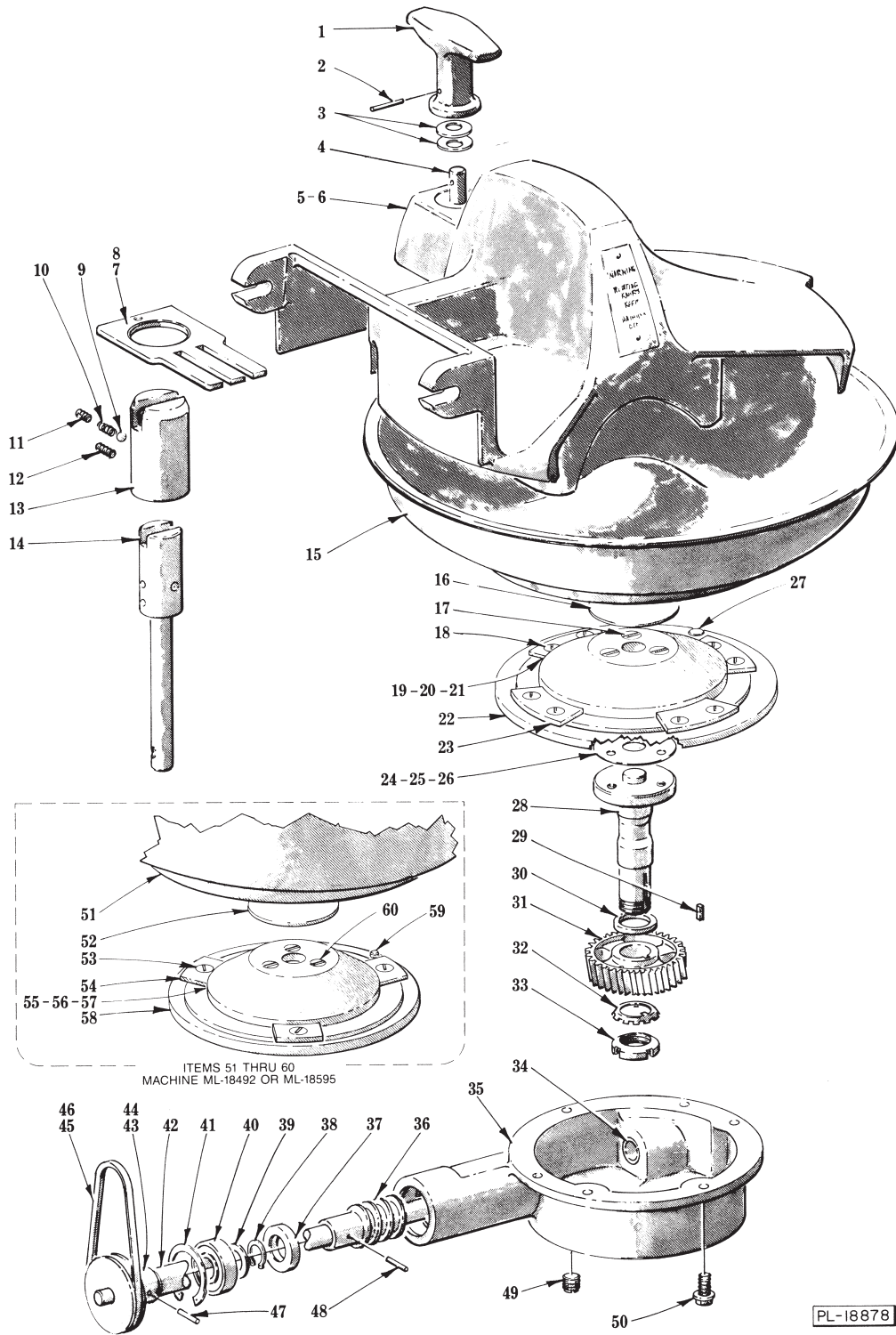


**HOBART BUILT MOTOR PARTS  
(3 PH.)**

### HOBART BUILT MOTOR PARTS (3 PH.)

ILLUS. PL-16759	PART NO.	NAME OF PART <sup>13</sup>	AMT.
1	101233-3	Bolt 8-32 x 3 Hex Hd .....	4
2	15747-286	Rotor Assy .....	1
3	BB-20-18	Ball Bearing - ND #77503 .....	1
4	BB-18-12	Ball Bearing - Fafnir #P201 !KDD .....	1
5	113905-2	Bracket - Bearing (Fan End) .....	1
6	65478-107-1	Stator Assy. (200 V., 60 Hz.) .....	1
7	65478-115-1	Stator Assy. (230/460 V., 60 Hz.) .....	1
8	65478-116-1	Stator Assy. (220/240/380/415 V., 50 Hz.) .....	1
9	113904-3	Bracket - Bearing (Drive End) .....	1
10	278380	Washer - Wavy .....	1

Above motor parts are for Hobart Built Motors Only.  
Component parts for other than Hobart Built Motors are not available from Hobart.

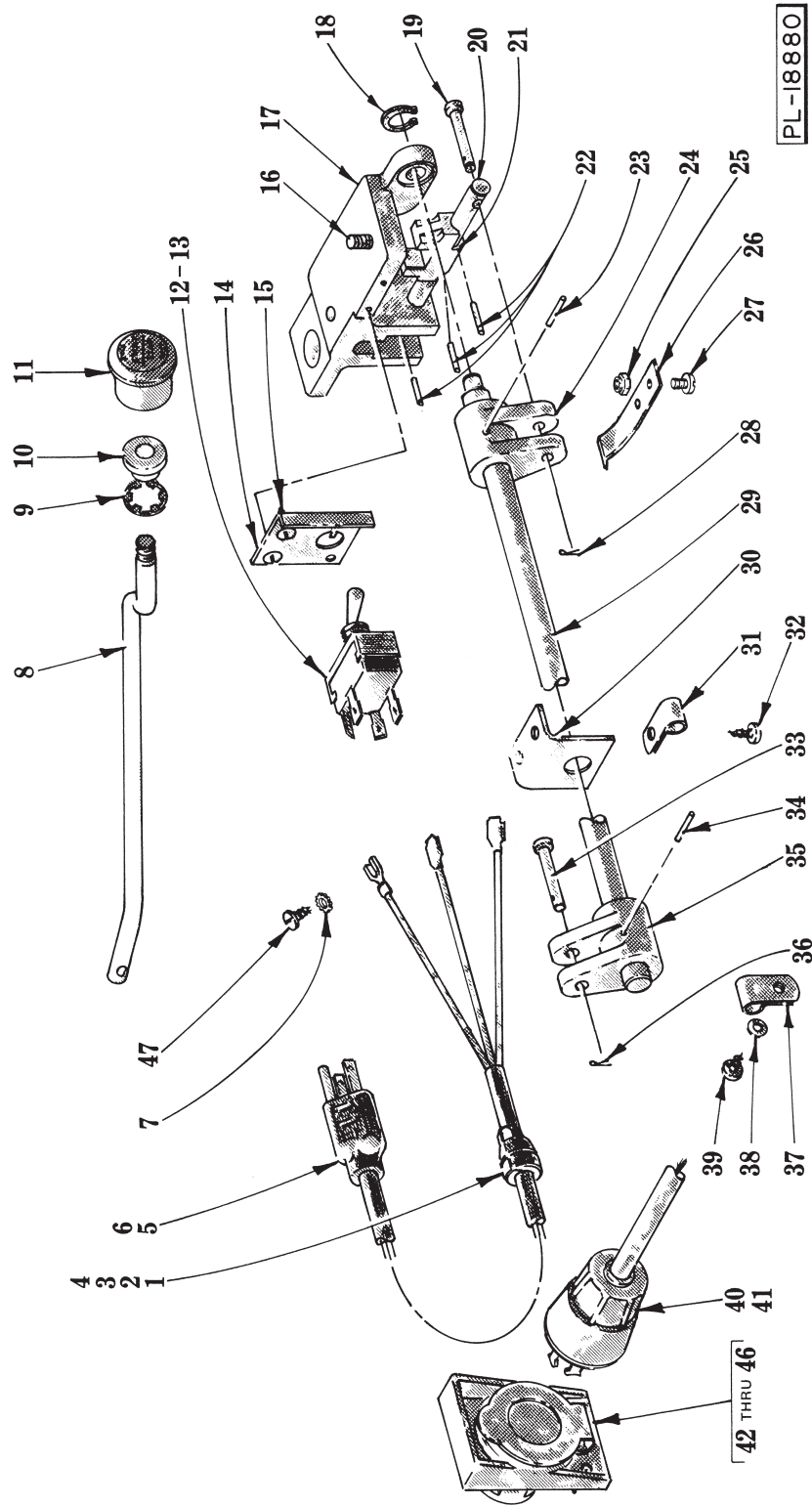


**BOWL UNIT**



## BOWL UNIT

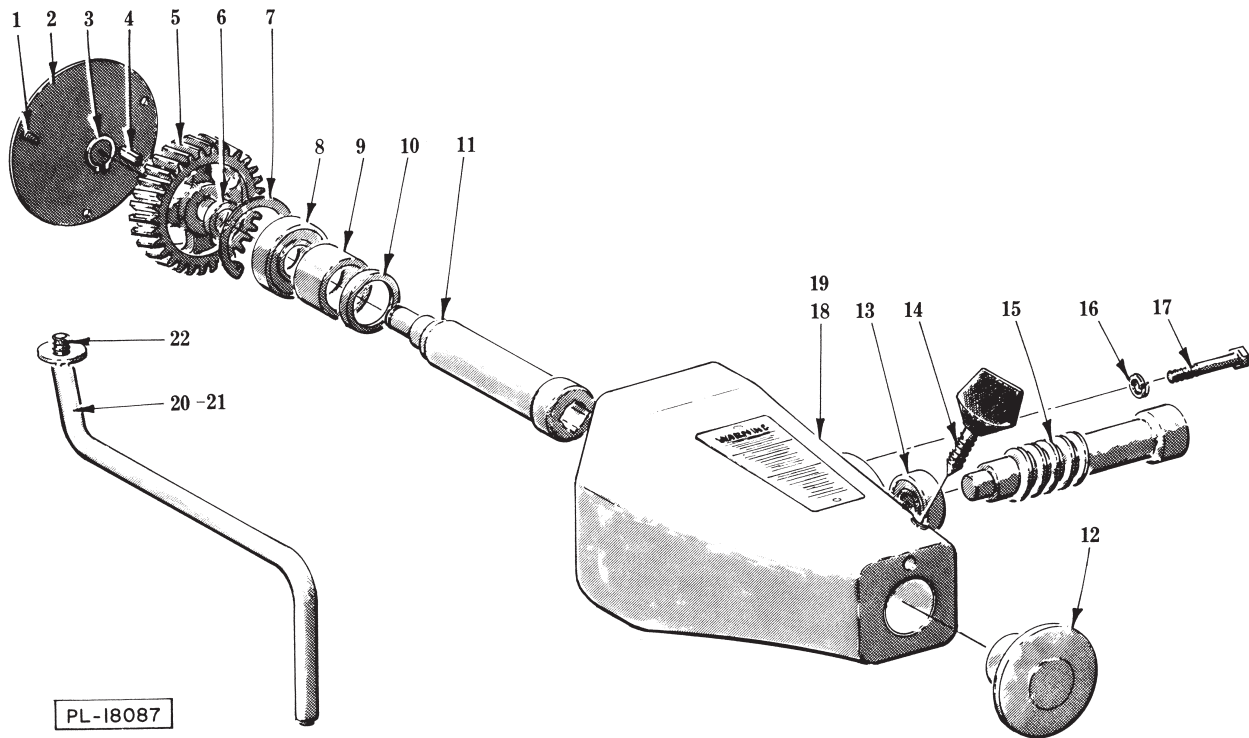
ILLUS. PL-18878	PART NO.	NAME OF PART <sup>13</sup>	AMT.
1	116814	Knob - Locking	1
2	PG-3-27	Groov-Pin - Type A, 3/16 x 7/8	1
3	77374	Washer - Belleville	2
4	117168	Bolt - Interlock	1
5	118254	Bowl Cover & Warning Plate Assy. (60 Hz.)	1
6	120262-2	Bowl Cover (50 Hz.)	1
7	116642	Comb	1
8	118959	Comb (For Single Knife Only) (Not Shown)	1
9	BA-2-10	Ball 1/4 Dia	1
10	77381	Spring - Ball Detent	1
11	SC-110-99	Set Screw 5/16-18 x 3/8 Soc. Hdls., Oval Pt	1
12	SC-111-1	Set Screw 5/16-18 x 1/2 Soc. Hdls., Cup Pt	1
13	77376	Adapter - Locking	1
14	116829	Interlock Control Shaft Assy	1
15	291586-1	Bowl & Adapter Assy. (ML-33220 & ML-33221)	1
16	116651	Cover - Bowl Support	1
17	SC-22-32	Mach. Screw 1/4-20 x 1/2 Flat Hd	3
18	SC-53-9	Mach. Screw 1/4-28 x 1/2 Truss Hd	8
19	116653-3	Shim - Clamp (.001" Thk., Amber)	AR
20	116653-1	Shim - Clamp (.002" Thk., Red)	AR
21	116653-2	Shim - Clamp (.003" Thk., Green)	AR
22	291587-2	Support - Bowl (ML-33220 & ML-33221)	1
23	78061	Clamp - Bowl Retaining (ML-33220 & ML-33221)	4
24	116654-1	Shim - Support Shaft (.003" Thk., Green)	AR
25	116654-2	Shim - Support Shaft (.005" Thk., Blue)	AR
26	116654-3	Shim - Support Shaft (.010" Thk., Brown)	AR
27	88417	Pin - Bowl Stop (ML-33220 & ML-33221)	1
28	116627	Shaft - Bowl Support	1
29	12430-43	Key	1
30	116647	Spacer - Bowl Drive Shaft	1
31	116625	Gear - Bowl Drive (40T)	1
32	WL-12-4	Lock Washer - N.D. #W-03	1
33	NS-34-4	Lock Nut - N.D. #N-03	1
34	BN-2-8	Needle Bearing - Torrington #B-108	1
35	116623	Case - Gear	1
36	77349	Worm - Bowl Drive (1T)	1
37	116658	Seal - Bowl Drive	1
38	RR-4-18	Retaining Ring	1
39	WS-10-1	Washer	1
40	BB-5-30	Ball Bearing - N.D. #Z99503	1
41	RR-7-8	Retaining Ring	1
42	116626	Shaft - Bowl Drive	1
43	117507	Pulley - Bowl Drive (ML-18492 & ML-18595)	1
44	291588-2	Pulley - Bowl Drive (ML-33220 & ML-33221)	1
45	117503	"V" Belt (ML-18492 & ML-18595)	1
46	BV-13-21	"V" Belt (ML-33220 & ML-33221)	1
47	RP-3-14	Rollpin 3/16 Dia. x 7/8 Lg	1
48	RP-3-14	Rollpin 3/16 Dia. x 7/8 Lg	1
49	FP-28-42	Plug 1/8 Hex Soc. Hd. Pipe	1
50	SD-15-25	Self-Tapping Screw 1/4-20 x 5/8 Hex Washer Hd., Type TT	4
51	117107-1	Bowl & Adapter Assy. (ML-18492 & ML-18595)	1
52	116651	Cover - Bowl Support	1
53	SC-53-9	Mach. Screw 1/4-28 x 1/2 Truss Hd	3
54	116639	Clamp - Bowl Retaining (ML-18492 & ML-18595)	3
55	116653-3	Shim - Clamp (.001" Thk., Amber)	AR
56	116653-1	Shim - Clamp (.002" Thk., Red)	AR
57	116653-2	Shim - Clamp (.003" Thk., Green)	AR
58	116619	Support - Bowl (ML-18492 & ML-18595)	1
59	116660	Pin - Bowl Stop (ML-18492 & ML-18595)	1
60	SC-22-32	Mach. Screw 1/4-20 x 1/2 Flat Hd.	3
	118801	Scraper - Bowl	1



SWITCH UNIT

## SWITCH UNIT

ILLUS. PL-18880	PART NO.	NAME OF PART <sup>13</sup>	AMT.
1	FE-7-21	Strain Relief (1 Ph.)	1
2	FE-15-38	Strain Relief (230/460 V., 60 Hz., 3 Ph.)	1
3	FE-8-21	Strain Relief (200 V., 60 Hz., 3 Ph.)	1
4	FE-14-47	Strain Relief (3 Ph.) (50 Hz.)	1
5	117542-21	Cord & Plug Assy. (115 V., 50/60 Hz., 1 Ph.)	1
6	117542-22	Cord & PLug Assy. (230 V., 60 Hz., 1 Ph.)	1
7	WL-7-12	Lock Washer #10 Ext. Shakeproof	1
8	116755	Rod - Upper Switch Control	1
9	RR-4-17	Retaining Ring	1
10	117705	Bushing - Switch Rod	1
11	120126	Pull Knob & Label Assy	1
12	87711-148-1	Switch (1 Ph.)	1
13	87711-140-1	Switch (3 Ph.)	1
14	116759	Bracket - Switch Mounting	1
15	SD-24-44	Self-Tapping Screw 10-24 x 1/2 Phil. Pan Hd., Type TT	2
16	SD-15-25	Self-Tapping Screw 1/4-20 x 5/8 Hex Washer Hd., Type TT	2
17	121844	Frame - Switch Interlock	1
18	RR-7-10	Retaining Ring	1
19	77390	Pin - Clevis	1
20	116640-1	Shaft - Switch Interlock	1
21	118953	Block - Switch Actuator	1
22	RP-2-12	Rollpin 1/8 Dia. x 1/2 Lg	3
23	RP-2-36	Rollpin 1/8 Dia. x 1 Lg	1
24	116713	Clevis (Switch Frame End)	1
25	NS-31-3	Stop Nut 6-32 "Elastic"	2
26	117636	Spring	1
27	SC-25-23	Mach. Screw 6-32 x 1/4 Bind. Hd	2
28	PC-3-23	Cotter Pin 1/16 x 1/2	1
29	121843	Shaft - Switch Control	1
30	117633	Bracket - Switch Control Rod	1
31	78752-4	Clamp	1
32	SD-15-4	Self-Tapping Screw 10-24 x 1/2 Pan Hd., Type TT	2
33	77390	Pin - Clevis	1
34	RP-2-36	Rollpin 1/8 Dia. x 1 Lg	1
35	116713	Clevis (Switch Rod End)	1
36	PC-3-23	Cotter Pin 1/16 x 1/2	1
37	78752-4	Clamp	1
38	WS-2-12	Washer	1
39	SD-24-13	Self-Tapping Screw 8-32 x 3/8 Pan Hd., Type TT	1
40	122292-3	Cord & Plug Assy (200 V., 60 Hz., 3 Ph.)	1
41	117612-5	Cord & Plug Assy. (230 V., 60 Hz., 3 Ph.)	1
42	123816-3	Receptacle & Cover Assy. (200 V., 60 Hz., 3 Ph.)	1
43	123805-3	Connector & Cover Assy. (200 V., 60 Hz., 3 Ph.)	1
44	117631-3	Receptacle (200/230 V., 60 Hz., 3 Ph.)	1
45	117625-3	Connector - Pendent (200/230 V., 60 Hz., 3 Ph.)	1
46	117625-2	Connector - Pendent (460 V., 60 Hz., 3 Ph.)	1
47	SD-24-1	Self-Tapping Screw 10-24 x 3/8 Pan Hd., Type TT	1
	121848-1	Frame & Switch Assy. (100 V., 50 Hz., 1 Ph.) (115/230 V., 60 Hz., 1 Ph.) (Incls. items 12, 14 & 17)	1
	121848-2	Frame & Switch Assy. (200/230/460 V., 60 Hz., 3 Ph.) (Incls. items 13, 14 & 17)	1
	121848-4	Frame & Switch Assy. (115/230/240 V., 50 Hz., 1 Ph.) (Incls. items 12, 14 & 17)	1
	121848-5	Frame & Switch Assy. (220/240/380/415 V., 50 Hz., 3 Ph.) (Incls. items 13, 14 & 17)	1
	117612-7	Cord & Plug Assy. (460 V., 60 Hz., 3 Ph.) (Not Shown)	1
	117631-2	Receptacle (460 V., 60 Hz., 3 Ph.) (Not Shown)	1
	117542-25	I.E.C. Cord (Not Shown)	1



**ATTACHMENT HUB & EXTENSION FOOT**  
**D-117100-1 (MACH. WITH 4 INCH LEGS) (DOMESTIC)**  
**D-117110-2 (MACH. WITH 4 INCH LEGS) (EXPORT)**  
**D-117100-3 (MACH. WITH 3 INCH LEGS) (DOMESTIC)**  
**D-117100-4 (MACH. WITH 3 INCH LEGS) (EXPORT)**

ILLUS.	PART NO.	NAME OF PART <sup>13</sup>	AMT.
1	SC-53-2	Mach. Screw 10-24 x 1/2 Truss Hd	3
2	116641	Plate - Back (Attachment Hub)	1
3	RR-4-18	Retaining Ring	1
4	12430-44	Key	1
5	116630	Gear - Attachment Drive (33T)	1
6	116652	Spacer - Gear	1
7	RR-7-7	Retaining Ring	1
8	BB-18-43	Ball Bearing - Hoover #6204	1
9	83440	Bearing (Oil-less)	1
10	70090	Seal - Oil	1
11	116629	Shaft - Attachment Hub Drive	1
12	114824-1	Plug - Attachment Hole	1
13	BB-5-16	Ball Bearing #202K	1
14	108197-2	Thumb Screw Assy	1
15	116631	Shaft - Worm	1
16	WL-3-44	Lock Washer 5/16 Medium	3
17	SC-40-74	Cap Screw 5/16-18 x 2 Hex Soc. Hd	3
18	118255-1	Attachment Hub (Domestic) (Incls. items 7, 8, 9 & 10)	1
19	118255-2	Attachment Hub (Export) (Incls. items 7, 8, 9 & 10)	1
20	117712-2	Extension Foot Assy. (Mach. with 3" Legs)	1
21	117712-1	Extension Foot Assy. (Mach. with 4" Legs)	1
22	119757	Shoulder Screw Assy	1