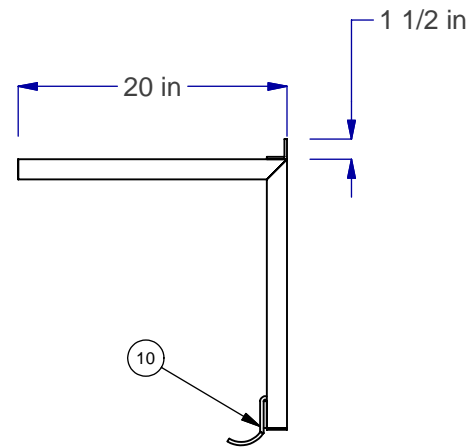
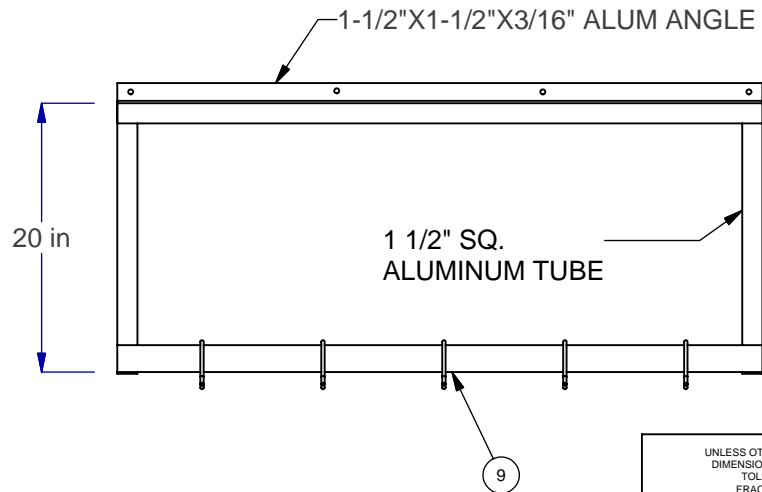
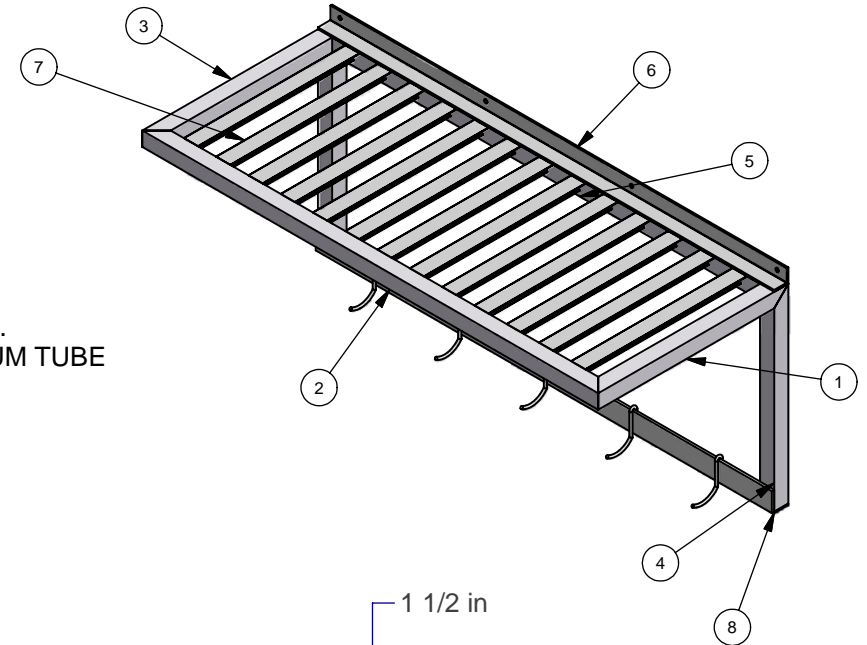
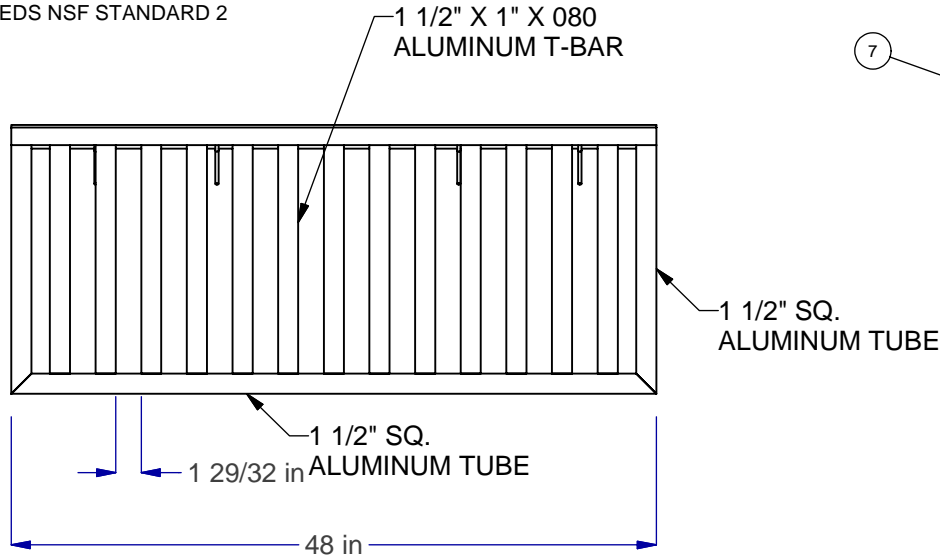


# GENERAL NOTES


- \* OVERALL SIZE: 20" DEEP X 48" WIDE X 20" HIGH
- \* HEAVY DUTY ALL WELDED ALUMINUM
- \* FRAME: 1 1/2" SQ. 6061 ALUMINUM
- \* T-BAR: 1 1/2" X 1" X .080 6061 ALUMINUM
- \* POT PACK ON BOTTOM WITH 5 HOOKS
- \* MEETS OR EXCEEDS NSF STANDARD 2

REVISIONS			
REV	DESCRIPTION	DATE	APPROVED



Parts List		
ITEM	QTY	PART NUMBER
1	1	LEFT SIDE SPREADER
2	1	FRONT SPREADER
3	1	RIGHT SIDE SPREADER
4	2	UPRIGHT
5	1	REAR SPREADER
6	1	TOP MOUNTING ANGLE
7	13	T-BAR 21"
8	2	441
9	1	HOOK HANGER
10	5	POT RACK HOOK

UNLESS OTHERWISE SPECIFIED DIMENSIONS ARE IN INCHES TOLERANCES ARE: FRACTIONAL ± 1/32 3 PLACE DECIMAL ± .015 ANGULAR ± 1°	ITEM:	
	IBM #:	
	ER#:	
	CUSTOMER:	
BREAK SHARP CORNERS	BY OR APPROVED	DATE
ALL SURFACES TO BE	DWN: ANTHONY S.	4/14/10
MATERIAL ALUMINUM	ENGRG:	
FINISH	CHK:	
	QA:	
DO NOT SCALE DRAWING	MFG:	



WIN-HOLT EQUIPMENT CORP.  
ENGINEERING  
PHONE: (516) 222-0335 FAX: (516) 222-0371

TITLE		
<b>20" X 48" ALUM. T-BAR WALL SHELF</b>		
SIZE	DWG NO	REV
A	626476 ALWMST-2048P	A
SCALE NTS	SHEET 1 OF 9	

PROPRIETARY  
EXCEPT AS OTHERWISE AGREED TO IN WRITING, THE INFORMATION AND DESIGN DISCLOSED HEREIN ARE THE PROPERTY OF WIN-HOLT EQUIPMENT CORP. AND MUST NOT BE COPIED OR DISTRIBUTED OUTSIDE WIN-HOLT EQUIPMENT EXCEPT TO AUTHORIZED PERSONS WITH A GENUINE NEED-TO-KNOW WHO BY THE USE HEREOF ACKNOWLEDGE WIN-HOLT EQUIPMENT OWNERSHIP AND AGREE TO MAINTAIN THIS INFORMATION AND DESIGN IN STRICT CONFIDENCE.