



# CATALOG OF REPLACEMENT PARTS



## BXA SERIES ELECTRIC RACK OVEN

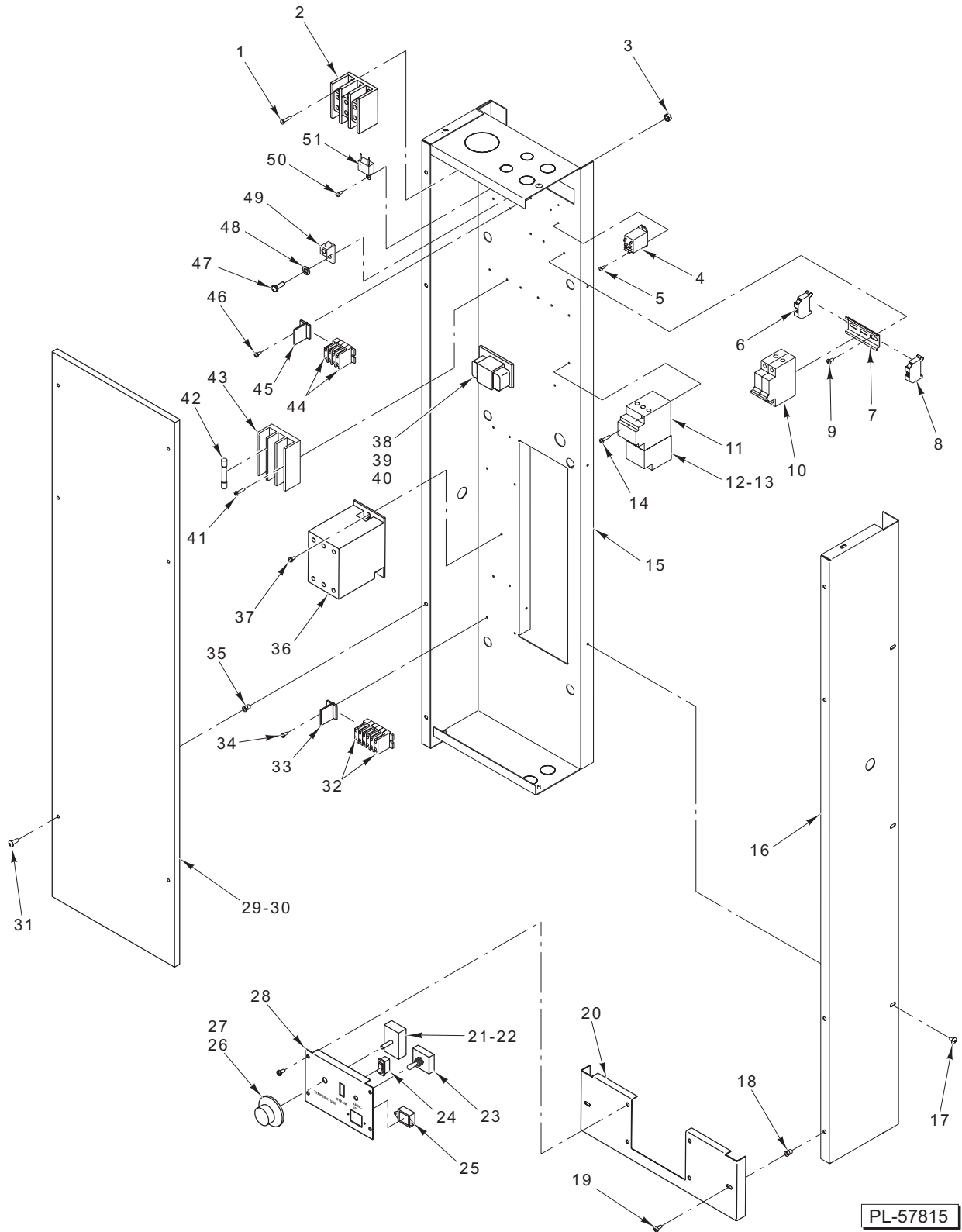
BXA1E  
BXA2E

MI-132362  
MI-132356



### Table of Contents

5	COMPONENT BOX (ML-132362)
7	COMPONENT BOX (ML-132356)
9	CABINET (ML-132362) (PREVIOUS CONSTRUCTION BEFORE 8/1/05)
11	CABINET (ML-132362) (CURRENT CONSTRUCTION ON OR AFTER 8/1/05)
13	CABINET (ML-132356) (PREVIOUS CONSTRUCTION BEFORE 8/1/05)
15	CABINET (ML-132356) (CURRENT CONSTRUCTION ON OR AFTER 8/1/05)
16	HOOD (ML-132362)
17	HOOD (ML-132356)
19	LOADING DOOR (ML-132362)
21	LOADING DOOR (ML-132356)
23	DOOR ASSEMBLY (PUSH LOCK TYPE)
25	CONTROL CABINET, DOOR, AND CONTROLLER (ML-132362)
27	CONTROL CABINET, DOOR, AND CONTROLLER (ML-132356)
29	BLOWER, PANELS, AND VENTS (ML-132362)
31	BLOWER, PANELS, AND VENTS (ML-132356)
32	LIFTER AND ROTATOR
34	STEAMER ASSEMBLY (ML-132362)
35	STEAMER ASSEMBLY (ML-132356)
37	EXTERIOR WATER SUPPLY
39	HEATING ELEMENTS



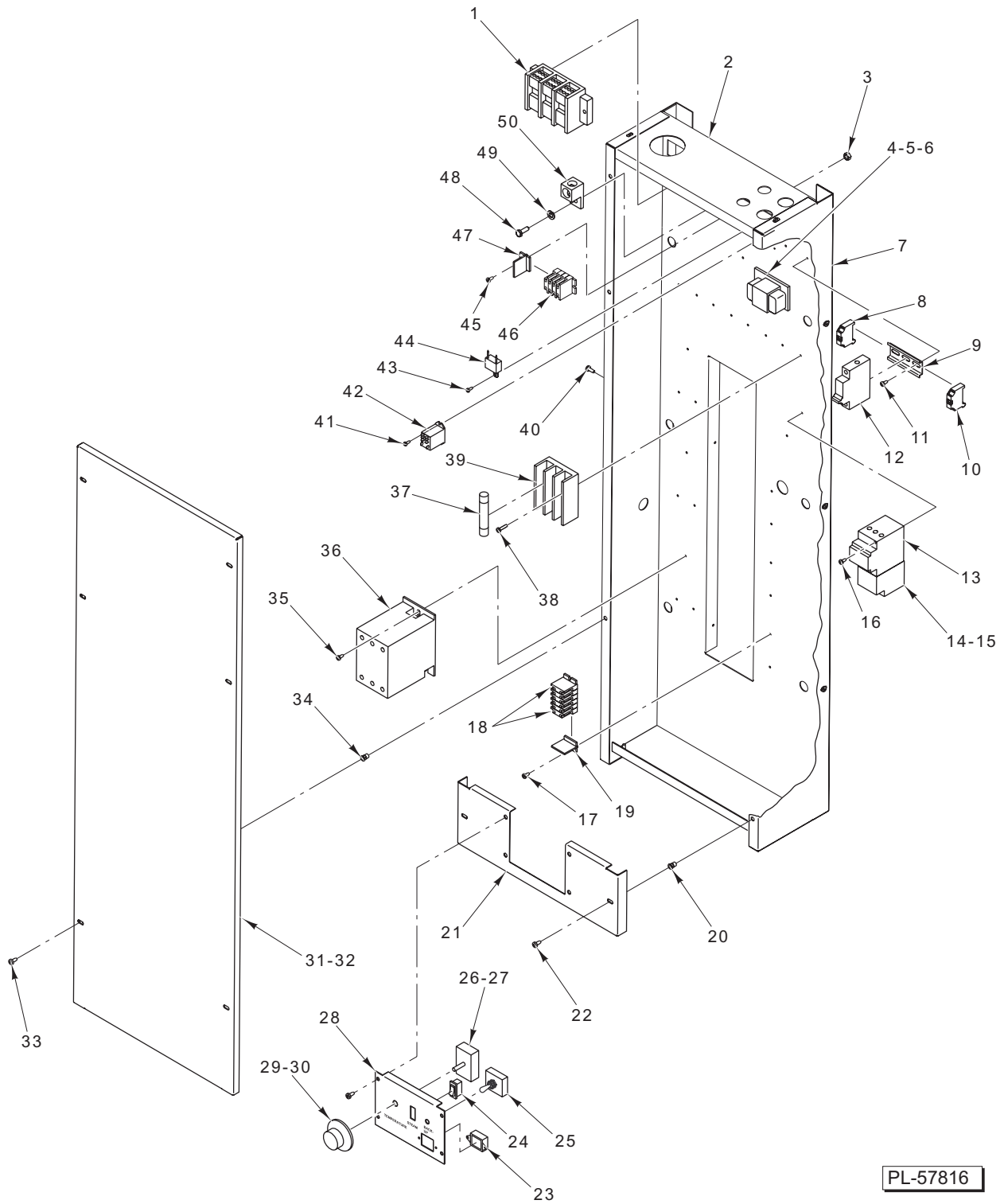
PL-57815

**COMPONENT BOX (ML-132362)**

**COMPONENT BOX (ML-132362)**

ILLUS.	PART NO.	NAME OF PART	AMT.
	PL-57815		
1	-	Self-Tapping Screw 6-32 x 3/8 Phil. Pan Hd., Type F.....	3
2	01-1000V5-00096	Block – Distribution.....	1
3	-	Nut 1/4-20 Hex.....	1
4	01-1000V6-00070	Relay.....	1
5	-	Self-Tapping Screw 6-32 x 3/8 Phil. Pan Hd., Type F.....	2
6	01-1000V6-00252	End Stop – Din Rail.....	1
7	01-100V18-00115	Din Rail 9080-M H 3 In. ....	1
8	01-1000V6-00252	End Stop – Din Rail.....	1
9	-	Self-Tapping Screw 6-32 x 3/8 Phil. Pan Hd., Type F.....	3
10	01-1000V6-00251	Circuit Breaker (10 Amp.).....	2
11	01-1000V6-00231	Contactora LC1D09 (50 Amp.).....	1
12	01-1000V6-00232	Overload (4 – 6 Amp.).....	1
13	01-1000V6-00235	Overload (1.2 – 2.5 Amp.) (440-480/50/60/3, 120/50/60/1).....	1
14	-	Self-Tapping Screw 8-32 x 3/4 Phil. Pan Hd., Type F.....	2
15	01-1M5415-00002	Back – Electric Box.....	1
16	01-1M5416-00001	Side – Electric Box.....	2
17	-	Self-Tapping Screw 10-32 x 3/8 Phil. Truss Hd., Type F.....	3
18	01-1000V4-00121	Insert – Threaded 10-32 Hex.....	2
19	-	Mach. Screw 10-32 x 1/2 Phil. Truss Hd. ....	2
20	01-1M5418-00004	Cover – Bottom Electric Box.....	1
*21	-	Thermostat 500 Deg. (108 In. Capillary) (Machines Built Before 8/25/06).....	1
*22	01-1000V6-00265	Thermostat 500 Deg. (108 In. Capillary) (Machines Built On or After 8/25/06).....	1
23	01-1000V6-00220	Switch – Toggle 4 PDT.....	1
24	01-1000V6-00221	Switch – MOM Transfer.....	1
25	01-1000V6-00070	Relay DPDT (1/4 Hp., 120 V.).....	1
26	01-100V18-00149	Knob – Thermostat (Machines Built On or After 8/25/06).....	1
27	01-100V18-00173	Knob – Thermostat (Machines Built Before 8/25/06).....	1
28	01-1M5084-00001	Plate – Backup Controls.....	1
29	01-1M5418-00003	Cover – Electric Box (Without Backup Controls).....	1
30	01-1M5090-00002	Cover – Electric Box (With Backup Controls) (Shown).....	1
31	-	Mach. Screw 10-32 x 1/2 Phil. Truss Hd. ....	6
32	01-1000V5-00105	Strip – Terminal.....	6
33	01-1000V5-00106	Strip End – Terminal.....	1
34	-	Self-Tapping Screw 6-32 x 3/8 Phil. Pan Hd., Type F.....	2
35	01-1000V4-00121	Insert – Threaded 10-32 Hex.....	6
36	01-1000V6-00185	Contactora (60 Amp.).....	2
37	-	Self-Tapping Screw 6-32 x 3/8 Phil. Pan Hd., Type F.....	2
38	01-100V10-00120	Transformer (1/2 KVA).....	1
39	01-100V10-00119	Transformer (1 KVA).....	1
40	01-1M2734-00001	Plate – Transformer.....	1
41	-	Self-Tapping Screw 8-32 x 3/4 Phil. Pan Hd., Type F.....	6
42	01-100V10-00239	Fuse (60 Amp., 600 V., Class G).....	9
43	01-100V10-00240	Fuse – Block (60 Amp., 480 V.).....	3
44	01-1000V5-00105	Strip – Terminal.....	4
45	01-1000V5-00106	Strip End – Terminal.....	1
46	-	Self-Tapping Screw 6-32 x 3/8 Phil. Pan Hd., Type F.....	2
47	-	Cap Screw 1/4-20 x 3/4 Hex.....	1
48	-	Lockwasher 1/4 Internal.....	1
49	01-1000V5-00037	Lug – Ground.....	1
50	-	Self-Tapping Screw 8-32 x 3/4 Phil. Pan Hd., Type F.....	1
51	01-100V10-00242	Filter – EMI.....	1
	01-1M5083-00002	Unit – Backup Controls (Incls. Items 23, 24, 25, & 28).....	1
	01-100V17-00259	Plug – Pipe 3/8 In. NPT (Brass) (Without Backup Controls).....	1
	01-1M5598-00005	Box Assy. – Component (208-240/50/60/3, 120/50/60/1).....	1
	01-1M5598-00006	Box Assy. – Component (440-480/50/60/3, 120/50/60/1).....	1
	01-1M5598-00007	Box Assy. – Component (380/50/60/3, 208-240/50/60/1).....	1
	01-1M5598-00008	Box Assy. – Component (200/50/60/3).....	1
	01-1M5083-00001	Unit – Backup Controls (Incls. Items 4, 23, 24, 27, & 28) (Machines Built Before 8/25/06).....	1
	01-1M5828-00005	Module – Electric (208-240 V.).....	1
	01-1M5828-00006	Module – Electric (480-440 V.).....	1
	01-1000V6-00269	Breaker – Circuit (3P., 35 Amp.).....	1
	01-1000V6-00266	Breaker – Circuit (3P., 63 Amp.).....	1
	01-1M5946-00001	Kit –Circuit Breaker.....	1

\* Order backup control unit 01-1M5083-00001 for thermostat replacement on machines built before 8/25/06.

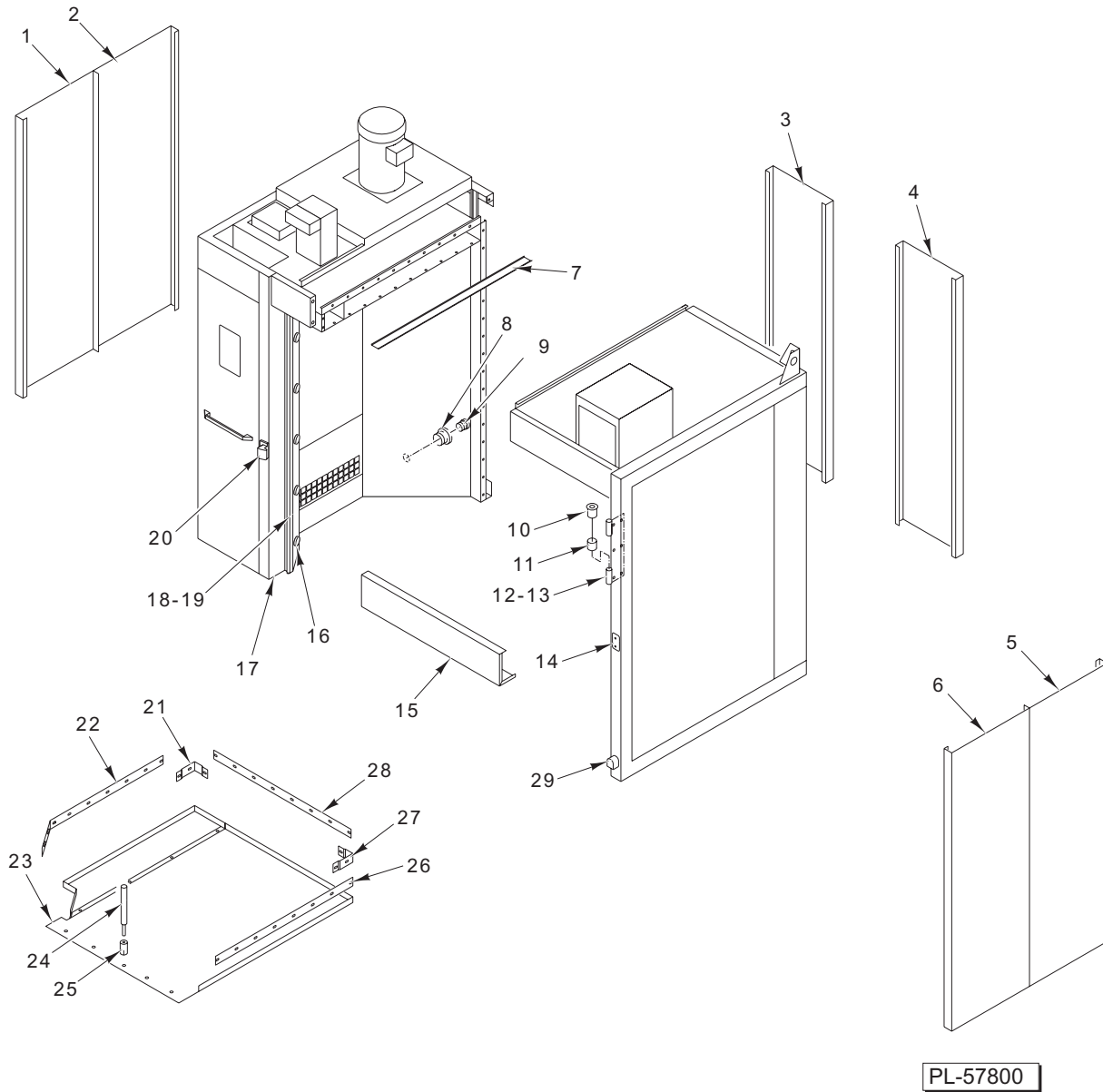


**COMPONENT BOX (ML-132356)**

**COMPONENT BOX (ML-132356)**

ILLUS.	PART NO.	NAME OF PART	AMT.
1	01-1000V5-00063	Block – Distribution (300 Amp.)	1
2	01-1M5415-00001	Back – Electric Box	1
3	-	Nut 1/4-20 Hex	1
4	01-100V10-00120	Transformer (1/2 KVA)	1
5	01-100V10-00119	Transformer (1 KVA)	1
6	01-1M2734-00001	Plate – Transformer	1
7	01-1M5416-00001	Side – Electric Box	2
8	01-1000V6-00252	End Stop – Din Rail	1
9	01-100V18-00115	Din Rail 9080-M H 3 In.	1
10	01-1000V6-00252	End Stop – Din Rail	1
11	-	Self-Tapping Screw 8-32 x 3/4 Phil. Pan Hd., Type F	3
12	01-1000V6-00251	Circuit Breaker (10 Amp.)	2
13	01-1000V6-00231	Contacto LC1D09 (50 Amp.)	1
14	01-1000V6-00232	Overload (4 – 6 Amp.)	1
15	01-1000V6-00235	Overload (1.2 – 2.5 Amp.) (440-480/50/60/3, 120/50/60/1)	1
16	-	Self-Tapping Screw 8-32 x 3/4 Phil. Pan Hd., Type F	2
17	-	Self-Tapping Screw 6-32 x 3/8 Phil. Pan Hd., Type F	2
18	01-1000V5-00105	Strip – Terminal	6
19	01-1000V5-00106	Strip End – Terminal	1
20	01-1000V4-00121	Insert – Threaded 10-32 Hex	2
21	01-1M5418-00002	Cover – Bottom Electric Box	1
22	-	Mach. Screw 10-32 x 1/2 Phil. Truss Hd.	2
23	01-1000V6-00070	Relay DPDT (1/4 Hp., 120 VAC)	1
24	01-1000V6-00221	Switch – MOM Transfer	1
25	01-1000V6-00220	Switch – Toggle 4 PDT	1
*26	-	Thermostat 500 Deg. (108 In. Capillary) (Machines Built Before 8/25/06)	1
27	01-1000V6-00265	Thermostat 500 Deg. (108 In. Capillary) (Machines Built On or After 8/25/06)	1
*28	01-1M5418-00002	Cover – Electric Component Box	1
29	01-100V18-00149	Knob – Thermostat (Machines Built On or After 8/25/06)	1
30	01-100V18-00173	Knob – Thermostat (Machines Built Before 8/25/06)	1
31	01-1M5418-00001	Cover – Electric Box (Without Backup Controls)	1
32	01-1M5090-00001	Cover – Electric Box (With Backup Controls) (Shown)	1
33	-	Mach. Screw 10-32 x 1/2 Phil. Truss Hd.	6
34	01-1000V4-00121	Insert – Threaded 10-32 Hex	6
35	-	Self-Tapping Screw 6-32 x 3/8 Phil. Pan Hd., Type F	2
36	01-1000V6-00185	Contacto (60 Amp.)	3
37	01-100V10-00239	Fuse (60 Amp., 600 V., Class G)	12
38	-	Self-Tapping Screw 8-32 x 3/4 Phil. Pan Hd., Type F	8
39	01-100V10-00240	Fuse – Block (60 Amp., 480 V.)	4
40	-	Self-Tapping Screw 10-32 x 3/8 Phil. Pan Hd., Type F	3
41	-	Self-Tapping Screw 6-32 x 3/8 Phil. Pan Hd., Type F	2
42	01-1000V6-00070	Relay	1
43	-	Self-Tapping Screw 8-32 x 3/4 Phil. Pan Hd., Type F	1
44	01-100V10-00242	Filter – EMI	1
45	-	Self-Tapping Screw 6-32 x 3/8 Phil. Pan Hd., Type F	2
46	01-1000V5-00105	Strip – Terminal	4
47	01-1000V5-00106	Strip End – Terminal	1
48	-	Cap Screw 1/4-20 x 3/4 Hex	1
49	-	Lockwasher 1/4 Internal	1
50	01-1000V5-00101	Lug – Ground	1
	01-100V17-00259	Plug – Pipe 3/8 In. NPT (Brass) (Without Backup Controls)	1
	01-1M5083-00002	Unit – Backup Controls (Incls. Items 25, 26, 27, 29, & 32)	1
	01-1M5598-00001	Box Assy. – Component (208-240/50/60/3, 120/50/60/1)	1
	01-1M5598-00002	Box Assy. – Component (440-480/50/60/3, 120/50/60/1)	1
	01-1M5598-00003	Box Assy. – Component (380/50/60/3, 208-240/50/60/1)	1
	01-1M5598-00004	Box Assy. – Component (200/50/60/3)	1
	01-1M5828-00001	Module – Electric (208-240 V.) (Double Rack)	1
	01-1M5828-00002	Module – Electric (440-480 V.) (Single Rack)	1
	01-1M5083-00001	Unit – Backup Controls (Incls. Items 23, 24, 25, 27, & 30) (Machines Built Before 8/25/06)	1
	01-1000V6-00269	Breaker – Circuit (3P., 35 Amp.)	1
	01-1000V6-00266	Breaker – Circuit (3P., 63 Amp.)	1
	01-1M5946-00001	Kit –Circuit Breaker	1

\* Order backup control unit 01-1M5083-00001 for thermostat replacement on machines built before 8/25/06.



**CABINET (ML-132362)  
(PREVIOUS CONSTRUCTION BEFORE 8/1/05)**



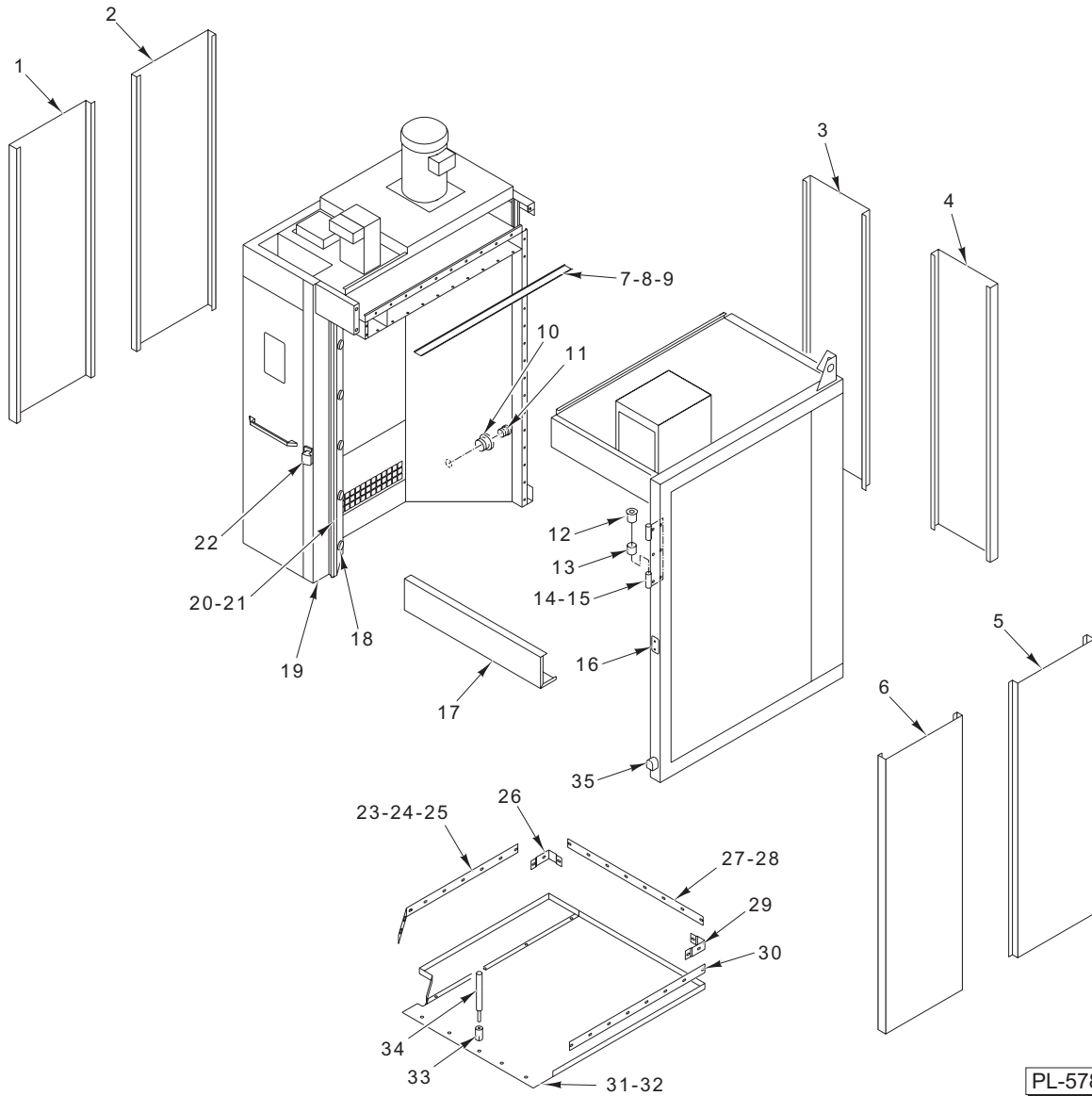
**CABINET (ML-132362)  
(PREVIOUS CONSTRUCTION BEFORE 8/1/05)**

ILLUS. PL-57800	PART NO.	NAME OF PART	AMT.
1	01-1M2120-00010	Skin – Outer.....	1
2	01-1M2120-00009	Skin – Outer.....	2
3	01-1M2120-00009	Skin – Outer.....	1
4	01-1M2120-00010	Skin – Outer.....	1
5	01-1M2120-00009	Skin – Outer.....	2
6	01-1M2120-00010	Skin – Outer.....	1
*7	01-100V21-00056	Tape – Fiberglass.....	AR
8	01-100V17-00266	Bushing <sup>3</sup> / <sub>8</sub> NPT x <sup>3</sup> / <sub>4</sub> NPT (Brass).....	1
9	01-100V17-00259	Plug – Pipe ( <sup>3</sup> / <sub>8</sub> NPT) (Brass).....	1
10	01-1000V0-00038	Bearing – Journal (Nylon).....	4
11	01-1000V0-00031	Bearing – (Nylon) (With Shoulder).....	4
***12	01-1M5918-00001	Hinge – Door (Female) (Machines Built Before 2/01/07).....	2
***13	01-1M5918-00002	Hinge Assy. Door (Machines Built On or After 2/01/07).....	1
14	01-1M1711-00003	Plate – Front Cover.....	1
15	01-1M5430-00001	Skin – Outer Header.....	1
**16	01-1000V7-00027	Lamp – Oven (Complete).....	5
17	01-1M2335-00001	Wheel (For Installation).....	1
18	01-1M5289-00003	Gasket – Loading Door (Top).....	1
19	01-1M5289-00001	Gasket – Loading Door (Side).....	2
20	01-100V18-0120A	Strike – Chrome Plated.....	1
21	01-1M2071-00002	Joint – Corner Floor Trim.....	AR
22	01-1M2072-00004	Trim – Floor (38 In.).....	1
23	01-1M2086-00001	Floor.....	1
24	01-1000V4-0073A	Tool – Setting <sup>1</sup> / <sub>4</sub> In.....	1
25	01-1000V4-00073	Anchor – Drop In ( <sup>1</sup> / <sub>4</sub> -20).....	9
26	01-1M2072-00002	Trim – Floor (36 In.).....	1
27	01-1M2071-00001	Joint – Corner Floor Trim.....	AR
28	01-1M2072-00001	Trim – Floor (31 In.) (Machines Built Before 11/01/07).....	1
29	01-100V17-00301	Ell – 2 <sup>1</sup> / <sub>2</sub> x 45 Deg. Bk.....	1
	01-1000V4-00074	Mach. Screw <sup>1</sup> / <sub>4</sub> -20 x 3 Flat Hd.....	4
	01-1M2346-00001	Collar – Door Switch.....	1
	01-1M5600-00001	Bracket – Hi-Limit.....	1
	01-1000V6-00118	Thermostat – Hi-Limit 550 Deg.....	1
	01-1M5525-00002	Box – Junction Electric Assy.....	1
	01-1M5515-00001	Thermocouple Assy. – Conduit.....	1
	01-1M5601-00002	Cover – Hood Exhaust.....	1

\*Sold Per Foot

\*\*Replacement bulb is standard 40 W. appliance bulb purchased locally.

\*\*\* Machines built before 2/01/07 must order both items 12 & 13.



PL-57853

**CABINET (ML-132362)**  
**(CURRENT CONSTRUCTION ON OR AFTER 8/1/05)**

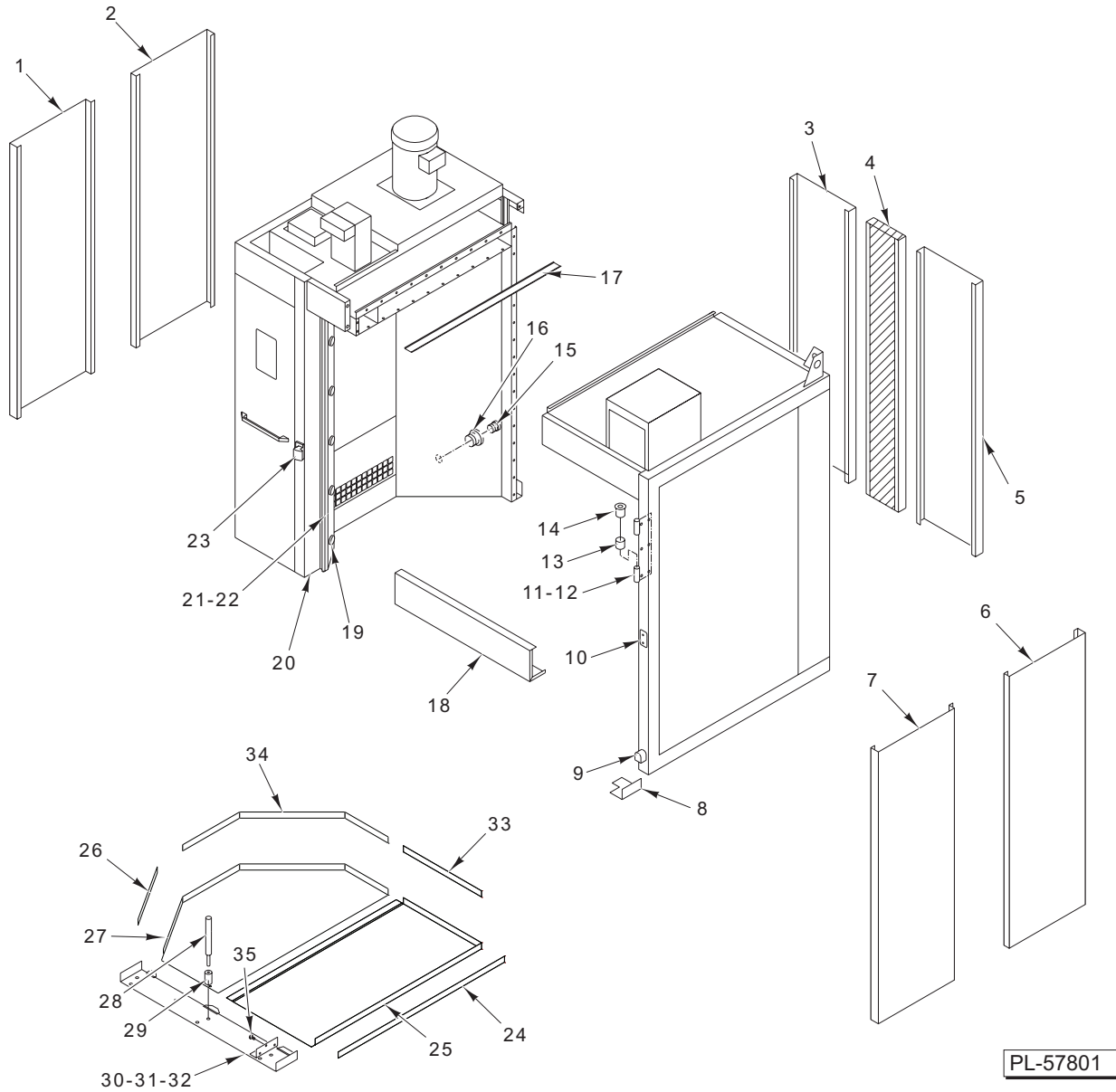
**CABINET (ML-132362)  
(CURRENT CONSTRUCTION ON OR AFTER 8/1/05)**

ILLUS. PL-57853	PART NO.	NAME OF PART	AMT.
1	01-1M5672-00002	Skin – Outer.....	1
2	01-1M5672-00001	Skin – Outer.....	1
3	01-1M5672-00002	Skin – Outer.....	1
4	01-1M5672-00001	Skin – Outer.....	1
5	01-1M5672-00002	Skin – Outer.....	1
6	01-1M5672-00001	Skin – Outer.....	1
*7	01-100V21-00056	Tape – Fiberglass.....	AR
8	01-1000V4-00283	Screw 1/4-20 x 3/4 Hex Washer Hd., Serrated Flange (SST).....	AR
9	01-1000V4-00284	Screw 10-32 x 3/4 Hex Washer Hd., Serrated Flange (SST).....	AR
10	01-100V17-00266	Bushing 3/8 NPT x 3/4 NPT (Brass).....	1
11	01-100V17-00259	Plug – Pipe 3/8 NPT (Brass).....	1
12	01-1000V0-00038	Bearing – Journal (Nylon).....	4
13	01-1000V0-00031	Bearing – (Nylon) (With Shoulder).....	4
***14	01-1M5918-00001	Hinge – Door (Female) (Machines Built On or After 2/01/07).....	2
***15	01-1M5918-00002	Hinge Assy. – Door (Machines Built On or After 2/01/07).....	2
16	01-1M1711-0003C	Plate – Front Cover.....	1
17	01-1M5430-00001	Skin – Outer Header.....	1
**18	01-1000V7-00027	Lamp – Oven (Complete) (Lens and Base).....	5
19	01-1M2335-00001	Wheel (For Installation).....	1
20	01-1M5289-00003	Gasket – Loading Door (Top).....	1
21	01-1M5289-00001	Gasket – Loading Door (Side).....	2
22	01-100V18-0120A	Strike – Chrome Plated.....	1
23	01-1M5872-00001	Floor Trim Kit (Machines Built On or After 11/01/07).....	1
24	01-1M2073-00004	Body – Floor Trim (Machines Built Before 11/01/07).....	1
25	01-1M2071-00102	Body – Joiner Corner (Machines Built Before 11/01/07).....	1
26	01-1M5872-00001	Floor Trim Kit (Machines Built On or After 11/01/07).....	1
27	01-1M5872-00102	Trim – Floor Rear (Machines Built On or After 11/01/07).....	1
28	01-1M5872-00001	Floor Trim Kit (Machines Built On or After 11/01/07).....	1
29	01-1M5872-00001	Floor Trim Kit (Machines Built On or After 11/01/07).....	1
30	01-1M5872-00001	Floor Trim Kit (Machines Built On or After 11/01/07).....	1
31	01-1M2086-00001	Floor.....	1
32	01-1M5869-00001	Floor – Single (Machines Built On or After 11/01/07).....	1
33	01-1000V4-00073	Anchor – Drop In.....	9
34	01-1000V4-0073A	Tool – Setting.....	1
35	01-100V17-00301	Eil – 2 1/2 x 45 Deg. Blk.....	1
*	01-100V21-00073	Tape – Silicone Sponge (Use With Items 21 thru 25).....	AR
	01-1000V4-00074	Mach. Screw 1/4-20 x 3/4 Phil. Flat Hd.....	4
	01-1M2346-00001	Collar – Door Switch.....	1

\*Sold Per Foot

\*\*Replacement bulb is standard 40 W. appliance bulb purchased locally.

\*\*\*Machines built before 2/01/07 must order items 14 & 15.



PL-57801

**CABINET (ML-132356)  
(PREVIOUS CONSTRUCTION BEFORE 8/1/05)**

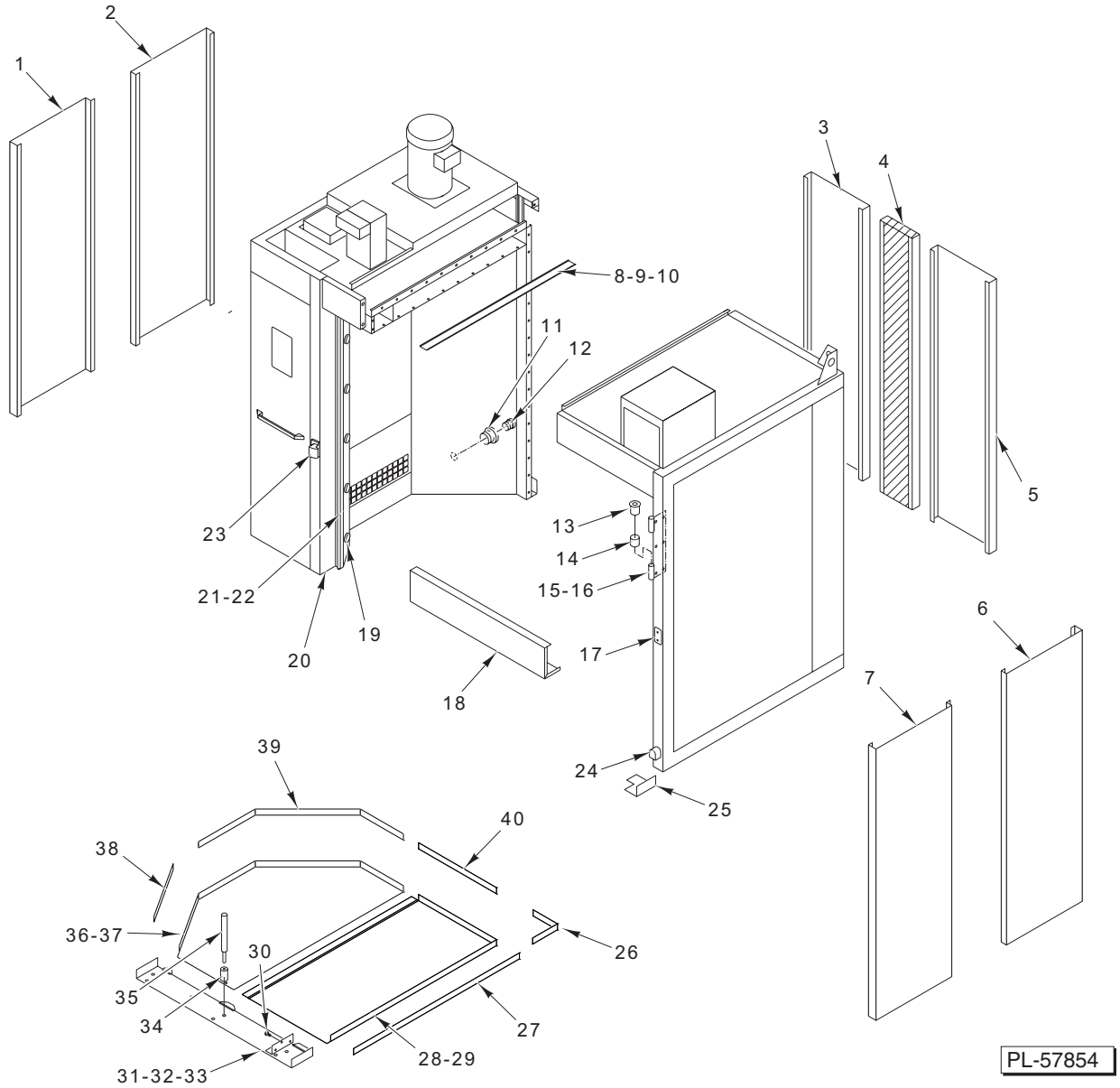
**CABINET (ML-132356)  
(PREVIOUS CONSTRUCTION BEFORE 8/1/05)**

ILLUS. PL-57801	PART NO.	NAME OF PART	AMT.
1	01-1M2120-00011	Skin – Outer (Non-Symmetrical Flanges).....	1
2	01-1M2120-00012	Skin – Outer (Symmetrical Flanges).....	1
3	01-1M5267-00001	Skin – Outer Drain .....	1
4	01-1M2192-00003	Panel – Outer Wall.....	1
5	01-1M2120-00004	Skin – Outer.....	1
6	01-1M2120-00012	Skin – Outer (Symmetrical Flanges).....	1
7	01-1M2120-00011	Skin – Outer (Non-Symmetrical Flanges).....	1
8	01-1M5285-00001	Jamb – Stop.....	1
9	01-100V17-00301	Ell – 2½ x 45 Deg. Blk. ....	1
10	01-1M1711-00003	Plate – Front Cover.....	1
***11	01-1M5918-00001	Hinge – Door (Female) (Machines Built On or After 2/01/07).....	2
***12	01-1M5918-00002	Hinge Assy. – Door (Machines Built On or After 2/01/07).....	2
13	01-1000V0-00031	Bearing – (Nylon) (With Shoulder).....	4
14	01-1000V0-00038	Bearing – Journal (Nylon).....	4
15	01-100V17-00259	Plug – Pipe ¾ NPT (Brass).....	1
16	01-100V17-00266	Bushing ¾ NPT x ¾ NPT (Brass).....	1
*17	01-100V21-00056	Tape – Fiberglass .....	AR
18	01-1M5030-00001	Skin – Outer Header .....	1
**19	01-1000V7-00027	Lamp – Oven (Complete) (Lens and Base).....	5
20	01-1M2335-00001	Wheel (For Installation).....	1
21	01-1M5289-00002	Gasket – Loading Door 50 In. (Top).....	1
22	01-1M5289-00001	Gasket – Loading Door 83 In. (Side).....	2
23	01-100V18-0120A	Strike – Chrome Plated.....	1
24	01-1M2072-00003	Trim – Floor (46 In.).....	1
25	01-1M5564-00002	Skin – Floor (RH).....	1
26	01-1M5004-00003	Trim – Floor.....	1
27	01-1M5564-00001	Skin – Floor (LH).....	1
28	01-1000V4-0073A	Tool – Setting.....	1
29	01-1000V4-00073	Anchor – Drop-in.....	9
30	-	Screw ¼-20 x ½ or 1 (As Needed).....	AR
31	01-1M5610-00201	Shim – Jamb Plate.....	AR
32	01-1M5570-00001	Threshold Weldment.....	1
33	01-1M5004-00001	Trim – Floor.....	1
34	01-1M5004-00002	Trim – Floor.....	1
35	-	Screw 10-32 Phil. Hd. (SST).....	6
	01-1000V4-00074	Mach. Screw ¼-20 x ¾ Phil. Hd. ....	4
	01-1M2346-00001	Collar – Door Switch .....	1
	01-1M5610-00002	Kit – Threshold Installation (Incls. Items 28 thru 32 & 35).....	1
	01-1M2211-00002	Skin – Ceiling.....	1
	01-1M2131-00007	Top – False (Ceiling).....	1
	01-1M2341-00002	Angle – Hood Trim.....	1

\*Sold Per Foot

\*\*Replacement bulb is standard 40 W. appliance bulb purchased locally.

\*\*\*Machines built before 2/01/07 must order items 11 & 12.



**CABINET (ML-132356)  
(CURRENT CONSTRUCTION ON OR AFTER 8/1/05)**

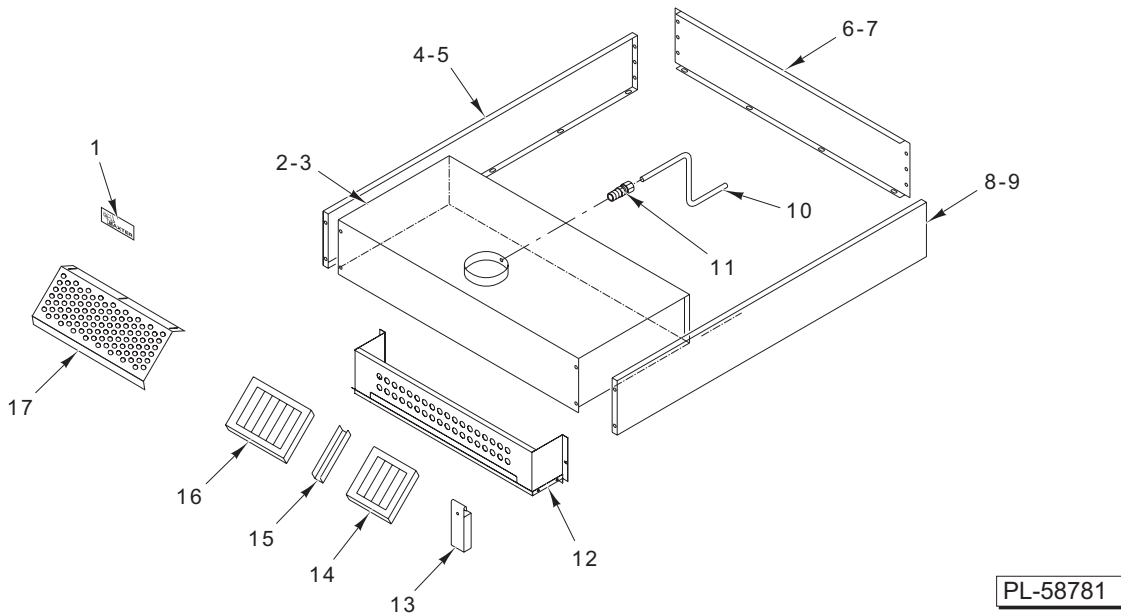
**CABINET (ML-132356)  
(CURRENT CONSTRUCTION ON OR AFTER 8/1/05)**

ILLUS. PL-57854	PART NO.	NAME OF PART	AMT.
1	01-1M5672-00003	Skin – Outer (Non-Symmetrical Flanges) (31 In.).....	1
2	01-1M5672-00001	Skin – Outer (Symmetrical Flanges) (20 In.) .....	1
3	01-1M5672-00004	Skin – Outer Drain .....	1
4	01-1M5672-00105	Panel – Outer Wall Split.....	1
5	01-1M5672-00002	Skin – Outer Split.....	1
6	01-1M5672-00001	Skin – Outer (Symmetrical Flanges) (31 In.) .....	1
7	01-1M5672-00003	Skin – Outer (Non-Symmetrical Flanges) (20 In.).....	1
*8	01-100V21-00056	Tape – Fiberglass .....	AR
9	01-1000V4-00283	Screw 1/4-20 x 3/4 Hex Washer Hd., Serrated Flange (SST).....	AR
10	01-1000V4-00284	Screw 10-32 x 3/4 Hex Washer Hd., Serrated Flange (SST).....	AR
11	01-100V17-00266	Bushing 3/8 NPT x 3/4 NPT (Brass).....	1
12	01-100V17-00259	Plug – Pipe 3/8 NPT (Brass) .....	1
13	01-1000V0-00038	Bearing – Journal (Nylon).....	4
14	01-1000V0-00031	Bearing – (Nylon) (With Shoulder).....	4
***15	01-1M5918-00001	Hinge – Door (Female) (Machines Built On or After 12/01/07).....	2
***16	01-1M5918-00002	Hinge Assy. – Door (Machines Built On or After 12/01/07).....	2
17	01-1M1711-0003C	Plate – Front Cover.....	1
18	01-1M5030-00001	Skin – Outer Header .....	1
**19	01-1000V7-00027	Lamp – Oven (Complete) (Lens and Base).....	5
20	01-1M2335-00001	Wheel (For Installation).....	1
21	01-1M5289-00002	Gasket – Loading Door 50 In. (Top).....	1
22	01-1M5289-00001	Gasket – Loading Door 83 In. (Side).....	2
23	01-100V18-0120A	Strike – Chrome Plated.....	1
24	01-100V17-00301	Eil – 2 1/2 x 45 Deg. Blk. ....	1
25	01-1M5285-00001	Jamb – Stop.....	1
26	01-1M2071-00003	Corner – Floor Trim Joiner.....	1
27	01-1M2072-00003	Trim – Floor (46 In.) .....	1
28	01-1M5564-00002	Skin – Floor (RH) (Machines Built Before 12/01/07).....	1
29	01-1M5928-00202	Skin – Floor (RH) (Machines Built On or After 12/01/07).....	1
30	-	Screw 10-32 Phil. Hd. (SST).....	6
31	-	Screw 1/4-20 x 1/2 or 1 (As Needed).....	AR
32	01-1M5610-00201	Shim – Jamb Plate.....	AR
33	01-1M5570-00001	Threshold Weldment.....	1
34	01-1000V4-00073	Anchor – Drop-in.....	9
35	01-1000V4-0073A	Tool – Setting .....	1
36	01-1M5564-00001	Skin – Floor (LH) (Machines Built Before 12/01/07) .....	1
37	01-1M5928-00201	Skin – Floor Trim Joiner (LH) (Machines Built On or After 12/01/07).....	1
38	01-1M5004-00003	Trim – Floor.....	1
39	01-1M5004-00002	Trim – Floor.....	1
40	01-1M5004-00001	Trim – Floor.....	1
	01-1000V4-00074	Mach. Screw 1/4-20 x 3/4 Phil. Hd. ....	4
	01-1M2346-00001	Collar – Door Switch .....	1
	01-1M5610-00002	Kit – Threshold Installation (Incls. Items 30 thru 35) (Machines Built Before 12/02/04) .....	1
	01-1M2211-00002	Skin – Ceiling.....	1
	01-1M2131-00007	Top – False (Ceiling).....	1
	01-1M2341-00002	Angle – Hood Trim .....	1
	01-1M5152-00001	Hardware Package – Double.....	1
	01-1M5152-00002	Hardware Package – Security .....	1
	01-1M5152-00003	Hardware Package – Single Split .....	1
	01-1M5152-00004	Hardware Package – Single Whole .....	1
	01-1M2549-00001	Insulation Kit – Double Split.....	1
	01-1M2549-00002	Insulation Kit – Single Split.....	1

\*Sold Per Foot

\*\*Replacement bulb is standard 40 W. appliance bulb purchased locally.

\*\*\*Machines built before 2/01/07 must order items 15 & 16.

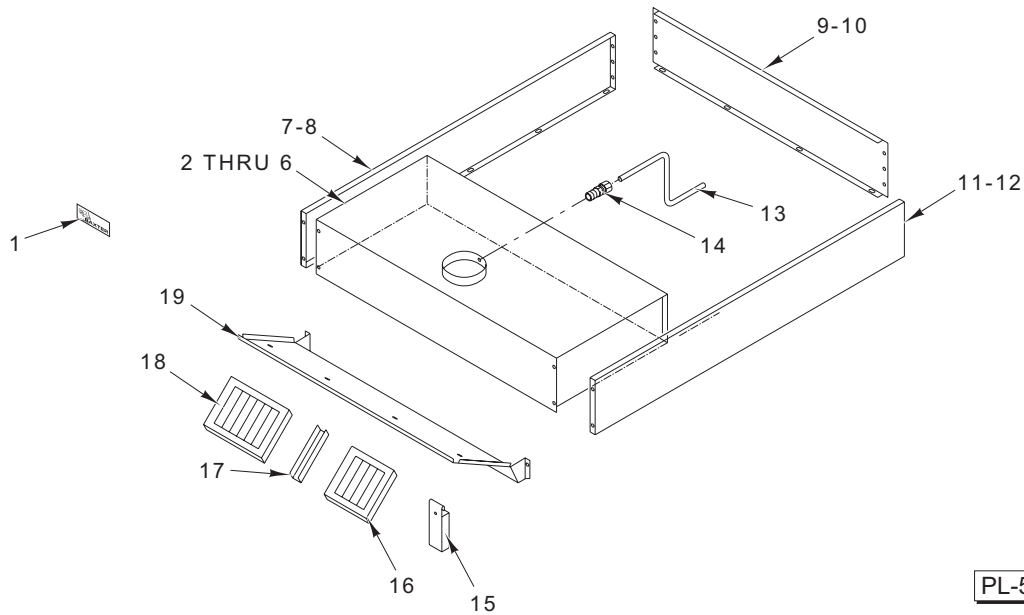


**HOOD (ML-132362)**

ILLUS.	PART NO.	NAME OF PART	AMT.
PL-58781			
1	01-100V16-00596	Logo – Baxter .....	1
2	01-1M5485-00001	Hood Assy. Type I (Incls. Items 12, 14, 15, & 16) .....	1
3	01-1M5485-00002	Hood Assy. Type II (Incls. Items 12 & 17) .....	1
4	01-1M5351-00001	Trim – Side (Machines Built Before 05/01/07) .....	1
5	01-1M5945-00101	Trim – Side Hood Single (Machines Built On or After 05/01/07) .....	1
6	01-1M5352-00001	Trim – Rear (Machines Built Before 05/01/07) .....	1
7	01-1M5945-00102	Trim – Rear Hood Single (Machines Built On or After 05/01/07) .....	1
8	01-1M5351-00001	Trim – Side (Machines Built Before 05/01/07) .....	1
9	01-1M5945-00101	Trim – Side Hood (Machines Built On or After 05/01/07) .....	1
*10	01-100V17-00004	Tube 1/4 O.D. x 72 In. Lg. (Alum.) .....	1
11	FP-078-49	Fitting – Tube 1/4 (Brass) .....	1
12	01-1M5489-00001	Baffle – Hood Assy. ....	1
13	01-1M3032-00001	Cup – Hood Grease .....	1
14	01-100V18-00089	Filter – Hood 16 x 20 With Drop (Type I Hood) .....	1
15	01-1M2247-00001	Filter – Filter (Type I Hood) .....	1
16	01-100V18-00088	Filter – Hood 16 x 16 With Drop (Type I Hood) .....	2
17	01-1M5492-00001	Panel – Baffle (Type II Hood) .....	1
	01-1M5601-00002	Cover – Hood Exhaust .....	1

\* Sold Per Inch.

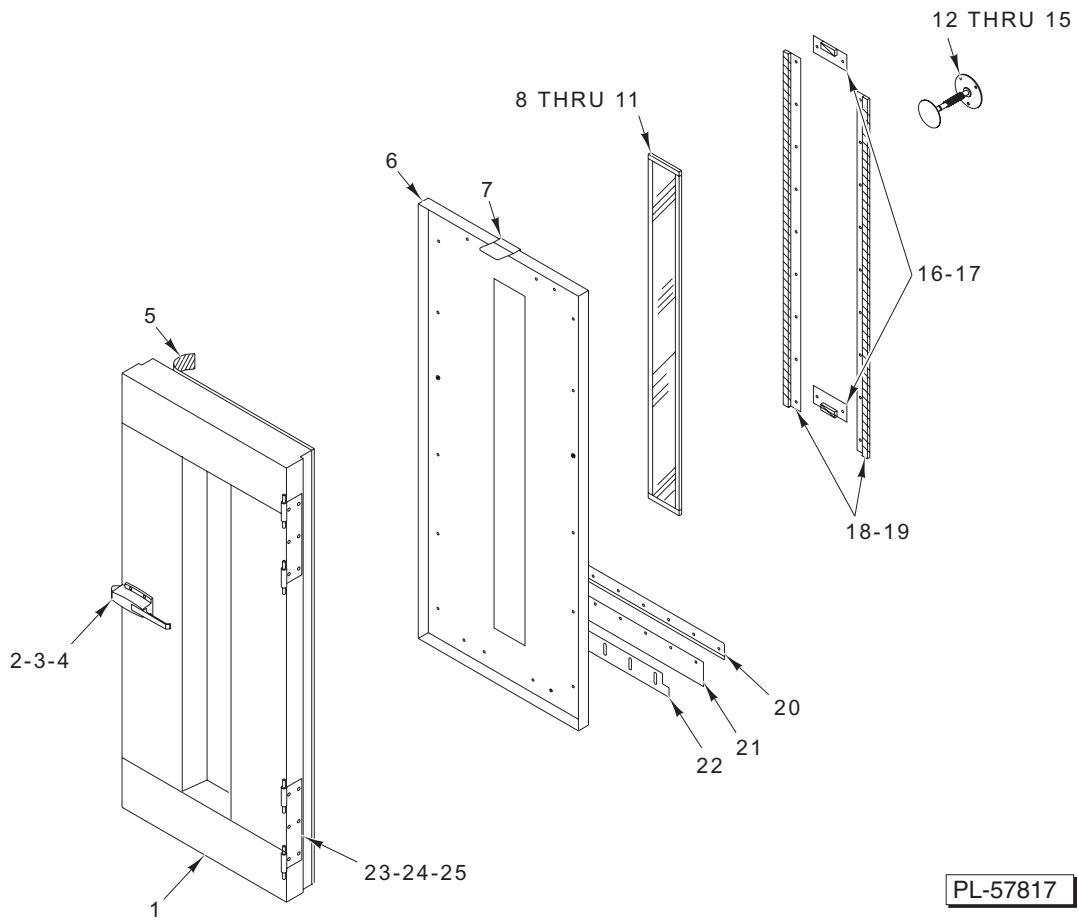




**HOOD (ML-132356)**

ILLUS.	PART NO.	NAME OF PART	AMT.
PL-58782			
1	01-100V16-00596	Logo – Baxter .....	1
2	01-1M5378-00003	Hood Assy. – Type I (Double Rack) (Machines Built Before 8/03/05).....	1
3	01-1M5681-00001	Hood Assy. (Double Rack) (Machines Built On or After 8/03/05).....	1
4	01-100V13-00134	Box – Filter (19 <sup>3</sup> / <sub>4</sub> x 15 <sup>9</sup> / <sub>16</sub> ) (Type I Hood).....	1
5	01-100V13-00135	Plenum – Panel Box (15 <sup>9</sup> / <sub>16</sub> x 1) (Type II Hood).....	1
6	01-1M5147-00002	Panel – Plenum (Type II Hood).....	2
7	01-1M5351-00002	Trim – Side (Machines Built Before 5/1/07) .....	1
8	01-1M5945-00201	Trim – Side (Double Rack) (Machines Built On or After 5/01/07) .....	1
9	01-1M5352-00002	Trim – Rear .....	1
10	01-1M5945-00202	Trim – Rear (Double Rack).....	1
11	01-1M5351-00002	Trim – Side (Machines Built Before 5/1/07) .....	1
12	01-1M5945-00201	Trim – Side (Double Rack) (Machines Built On or After 5/01/07) .....	1
*13	01-100V17-00004	Tube 1/4 O.D. x 72 In. Lg. (Alum.).....	1
14	FP-078-49	Fitting – Tube (1/4 In.) (Brass).....	1
15	01-1M3032-00001	Cup – Hood Grease.....	1
16	01-100V18-00089	Filter – Hood 16 x 20 W/Drop (Type I Hood) .....	1
17	01-1M2247-00002	Filler – Filter .....	1
18	01-100V18-00088	Filter – Hood 16 x 16 W/Drop (Type I Hood) .....	3
19	01-1M5140-00002	Deflector – Air .....	1
	01-1M5690-00001	Kit – Hood Assy. (Type I Hood) (Machines Built Before 8/03/05) (Incls. Items 1, 2, 4, 7, 9, 11, & 16 thru 19).....	1
	01-1M5690-00002	Kit – Hood Assy. (Type II Hood) (Machines Built Before 8/03/05) (Incls. Items 1, 2, 5, 6, 7, 9, 11, 17, & 18).....	1
	01-1M5690-00003	Kit – Hood Assy. (Type I Hood) (Machines Built On or After 8/03/05) (Incls. Items 1, 3, 4, 7, 9, 11, & 16 thru 19).....	1
	01-1M5690-00004	Kit – Hood Assy. (Type II Hood) (Machines Built On or After 8/03/05) (Incls. Items 1, 3, 5, 6, 7, 9, 11, 17, & 19).....	1
	01-1M5884-00001	Kit – Hood Assy. (Machines Built On or After 05/01/07) (Incls. Items 7, 8, 10, & 12).....	1

\*Sold Per Inch



**LOADING DOOR (ML-132362)**

**LOADING DOOR (ML-132362)**

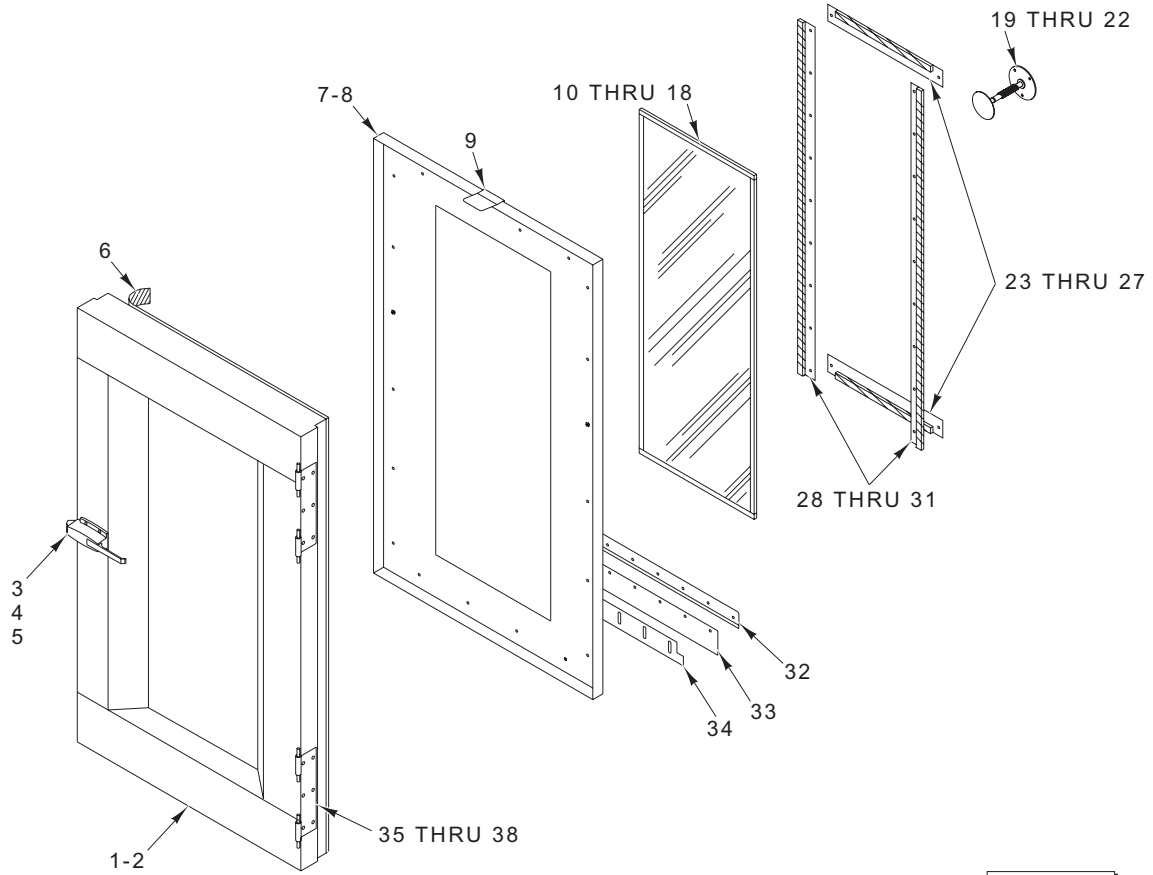
ILLUS. PL-57817	PART NO.	NAME OF PART	AMT.
1	01-1M2133-00001	Weldment – Door.....	1
*2	01-100V18-0120B	Handle – Chrome Plated.....	1
3	01-100V16-00259	Label – Warning.....	1
4	01-1M5910-00001	Spacer – Door Handle.....	1
**5	01-100V21-00065	Tape – Fiberglass (1/8 x 1).....	18 Ft.
6	01-1M2135-00001	Skin – Inner Door.....	1
7	01-1M2254-00001	Guide – Door Switch Actuator.....	1
8	01-1M4171-00002	Window Glass Assy. (Incls. Items 9, 10, & 11).....	1
9	01-100V16-0102C	Glass – Tempered 1/4 In. Thick.....	1
10	00-513886-00003	Sealer (Clear).....	AR
**11	01-100V16-00611	Gasket – Window.....	12 Ft.
12	01-1M1435-00002	Handle – Interior Door (Incls. Items 13, 14, & 15).....	1
13	01-100V20-00010	Spring – Compression 7/16 O.D. ....	1
14	01-1M1761-0001C	Plate – Interior Door Handle.....	1
15	01-1000V1-00036	Ring – Retaining 7/16 In. (Zinc).....	1
16	01-1M2937-00002	Retainer – Window (Horizontal).....	2
***17	01-100V21-0039A	Tape – Silicone (1/8 x 3/4).....	10 In.
18	01-1M2937-00001	Retainer – Window (Vertical).....	2
***19	01-100V21-0039A	Tape – Silicone (1/8 x 3/4).....	62 In.
20	01-1M2255-00001	Clamp – Floor Sweep.....	1
21	01-1M2778-00001	Strip – Silicone Floor Seal.....	1
22	01-1M2769-00001	Support – Floor Seal.....	1
****23	01-1M5918-00002	Hinge Assy. – Door (Machines Built Before 2/01/07).....	2
****24	01-1M5918-00001	Hinge – Door (Female) (Machines Built On or After 2/01/07).....	2
25	01-1M5918-00201	Pin – Hinge Loading Door.....	2
	01-1000V4-00067	Speed Nut.....	26
	01-1000V4-00074	Mach. Screw 1/4-20 x 3/4 Flat Hd.....	16
	01-1A2876-00101	Channel – Safety Bar.....	5
	01-1M5551-00004	Door – Loading With Grid (Packaged).....	1
	01-1M5551-00001	Door – Loading (Packaged – Domestic).....	1
	01-1M5289-00003	Gasket – Loading Door.....	1

\* Order with 01-100V16-00259.

\*\* Sold Per Foot.

\*\*\* Sold Per Inch.

\*\*\*\* Machines built before 2/01/07 must order items 23 & 24.



PL-57802

**LOADING DOOR (ML-132356)**

**LOADING DOOR (ML-132356)**

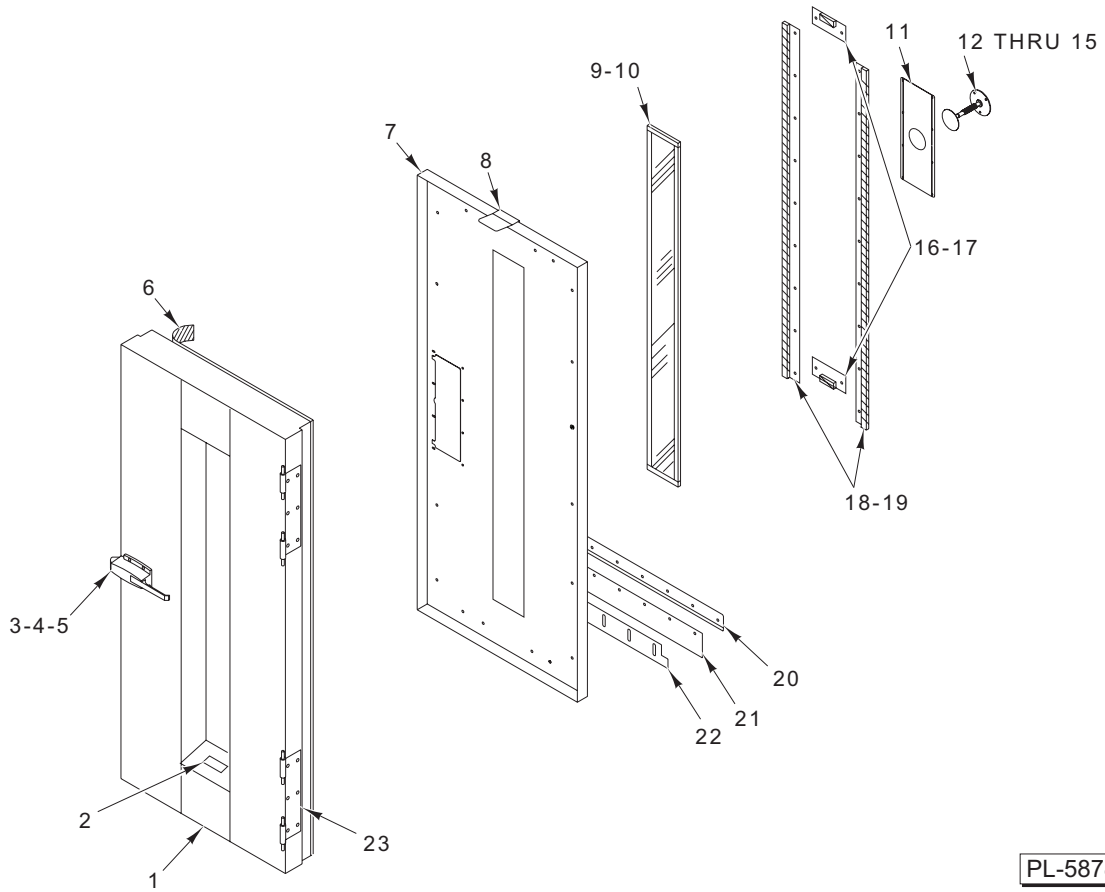
ILLUS.	PART NO.	NAME OF PART	AMT.
	PL-57802		
1	01-1M5590-00002	Weldment – Door (21 In. Window).....	1
2	01-1M2133-00002	Weldment – Door (10 In. Window).....	1
*3	01-100V18-0120B	Handle – Chrome Plated .....	1
4	01-100V16-00259	Label – Warning.....	1
5	01-1M5910-00001	Spacer – Door Handle .....	1
**6	01-100V21-00065	Tape – Fiberglass (1/8 x 1).....	20 Ft.
7	01-1M5376-00002	Skin – Inner Door (21 In. Window).....	1
8	01-1M2135-00002	Skin – Inner Door (10 In. Window).....	1
9	01-1M2254-00001	Guide – Door Switch Actuator.....	1
10	01-1M4171-00003	Window Assy. (21 In.) (Incls. Items 13, 15, & 16).....	1
11	01-1M4171-00002	Window Assy. (10 In.) (Incls. Items 14, 15, & 17).....	1
12	01-100V16-00643	Glass – Triple Pane (21 In. Window) (Current Construction).....	1
13	01-100V16-0102C	Glass – Tempered 1/4 In. Thk. (10 In. Window).....	1
14	01-100V16-0102J	Glass – Tempered 1/4 In. Thk. (21 In. Window).....	1
15	00-513886-00003	Sealer (Clear).....	AR
16	01-100V21-00060	Gasket – U (Silicone) (21 In. Window).....	1
17	01-100V16-00611	Gasket – Window (10 In. Window).....	1
18	01-100V16-0644A	Gasket – Window (21 In. Window) (Use With Item 12).....	1
19	01-1M1435-00002	Handle – Interior Door (Incls. Items 20, 21, & 22).....	1
20	01-100V20-00010	Spring – Compression 7/16 O.D. ....	1
21	01-1M1761-00001	Plate.....	1
22	01-1000V1-00036	Ring – Retaining 7/16 In. (Zinc).....	1
23	01-1M2937-00003	Retainer – Window (Horizontal) (21 In. Window) (Incls. Item 26) (Previous Construction).....	2
24	01-1M2937-00002	Retainer – Window (Horizontal) (10 In. Window) (Incls. Item 26).....	2
25	01-1M5574-00001	Retainer – Window (Horizontal) (21 In. Window) (Current Construction).....	2
***26	01-100V21-0039A	Tape – Silicone (1/8 x 3/4).....	22 In.
27	01-100V21-00162	Tape – Silicon Foam .....	AR
28	01-1M2937-00001	Retainer – Window (Vertical) (10 In. Window) (Incls. Item 30) (Previous Construction).....	2
29	01-1M5574-00002	Retainer – Window (Vertical) (10 In. Window) (Incls. Item 31) (Current Construction).....	2
***30	01-100V21-0039A	Tape – Silicone (1/8 x 3/4).....	62 In.
***31	01-100V21-00162	Tape – Silicon Foam .....	AR
32	01-1M2255-00002	Clamp – Floor Sweep .....	1
33	01-1M2778-00002	Strip – Floor Seal (Silicone).....	1
34	01-1M2769-00002	Support – Floor Seal.....	1
****35	01-1M5918-00001	Hinge – Weldment (Female) (Machines Built Before 2/01/07).....	2
****36	01-1M5918-00002	Hinge Assy. – Door (Machines Built On or After 2/01/07).....	2
37	01-1M5918-00201	Pin – HInge Loading Door .....	2
38	01-1000V0-00080	Bearing – Door Hinge (Brass).....	2
	01-1000V4-00041	Mach. Screw .....	28
	01-1000V4-00067	Speed Nut.....	26
	01-1000V4-00074	Mach. Screw 1/4-20 x 3/4 Flat Hd.....	16
	01-1M5289-00001	Gasket – Loading Door Jamb .....	1
	01-1M5289-00002	Gasket – Loading Door Head.....	1
	01-1A2876-00101	Channel – Safety Bar (10 In. Window).....	5
	01-1A2876-00102	Channel – Safety Bar (21 In. Window).....	5
	01-1M5551-00002	Door – Loading Without Grid (10 In. Window) (Packaged).....	1
	01-1M5551-00003	Door – Loading Without Grid (21 In. Window) (Packaged).....	1
	01-1M5551-00005	Door – Loading With Grid (10 In. Window) (Packaged).....	1
	01-1M5551-00006	Door – Loading With Grid (21 In. Window) (Packaged).....	1

\* Order with 01-100V16-00259.

\*\* Sold Per Foot.

\*\*\* Sold Per Inch.

\*\*\*\* Machines built before 2/01/07 must order items 35 & 36.



PL-58783

**DOOR ASSEMBLY (PUSH LOCK TYPE)**

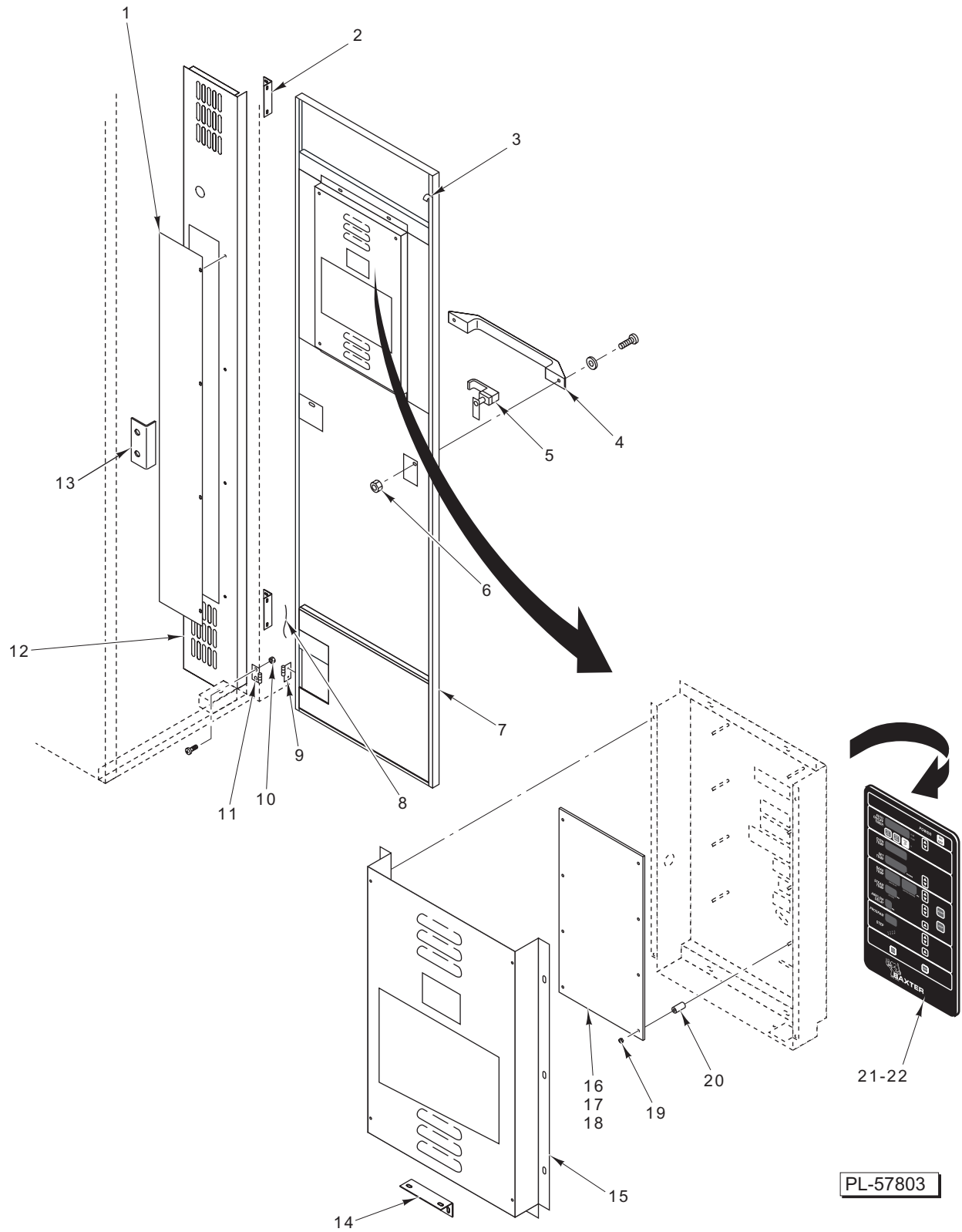
**DOOR ASSEMBLY (PUSH LOCK TYPE)**

ILLUS. PL-58783	PART NO.	NAME OF PART	AMT.
1	01-1M6033-00001	Weldment – Door .....	1
2	01-100V16-0168C	Label – Caution .....	1
*3	01-100V18-0120B	Handle – Chrome Plated .....	1
4	01-100V16-00259	Label – Warning .....	1
5	01-1M5910-00001	Spacer – Door Handle .....	1
**6	01-100V21-00065	Tape – Fiberglass (1/8 x 1) .....	30 Ft.
7	01-1M6034-00101	Skin – Inner Door .....	1
8	01-1M2254-00001	Guide – Door Switch Actuator .....	1
9	01-100V16-00709	Glass – Triple Pane .....	1
10	01-100V16-0644B	Gasket – Window (1 Pc. Fused Corner) .....	1
11	01-1M5920-00209	Cover – Inner Door Latch .....	2
12	01-1M1435-00002	Handle – Interior Door (Incls. Items 13, 14, & 15) .....	1
13	01-100V20-00010	Spring – Compression 7/16 O.D. ....	1
14	01-1M1761-00001	Plate – Interior Door Handle .....	1
15	01-1000V1-00036	Ring – Retaining 7/16 In. (Zinc) .....	1
16	01-1M6030-00001	Retainer – Horizontal Door Glass .....	2
***17	01-100V21-00162	Tape – Silicone Foam (1/8 x 1 <sup>11/64</sup> ) .....	10 In.
18	01-1M5843-00001	Retainer – Window .....	2
***19	01-100V21-00162	Tape – Silicone Foam (1/8 x 1 <sup>11/64</sup> ) .....	60 In.
20	01-1M6034-00102	Sweep – Inner Door .....	1
21	01-100V16-0683A	Gasket – Floor Sweep .....	1
22	01-1M6034-00103	Sweep – Outer Door .....	1
23	01-1M5918-00001	Hinge – Door (Female) .....	2
	01-1M6034-00001	Door Assy. – Push Lock (Incls. Items 1 thru 23) .....	1
	01-1M5092-00006	Insulation (Packaged) .....	1

\* Order With 01-100V16-00259.

\*\* Sold Per Foot.

\*\*\* Sold Per Inch.



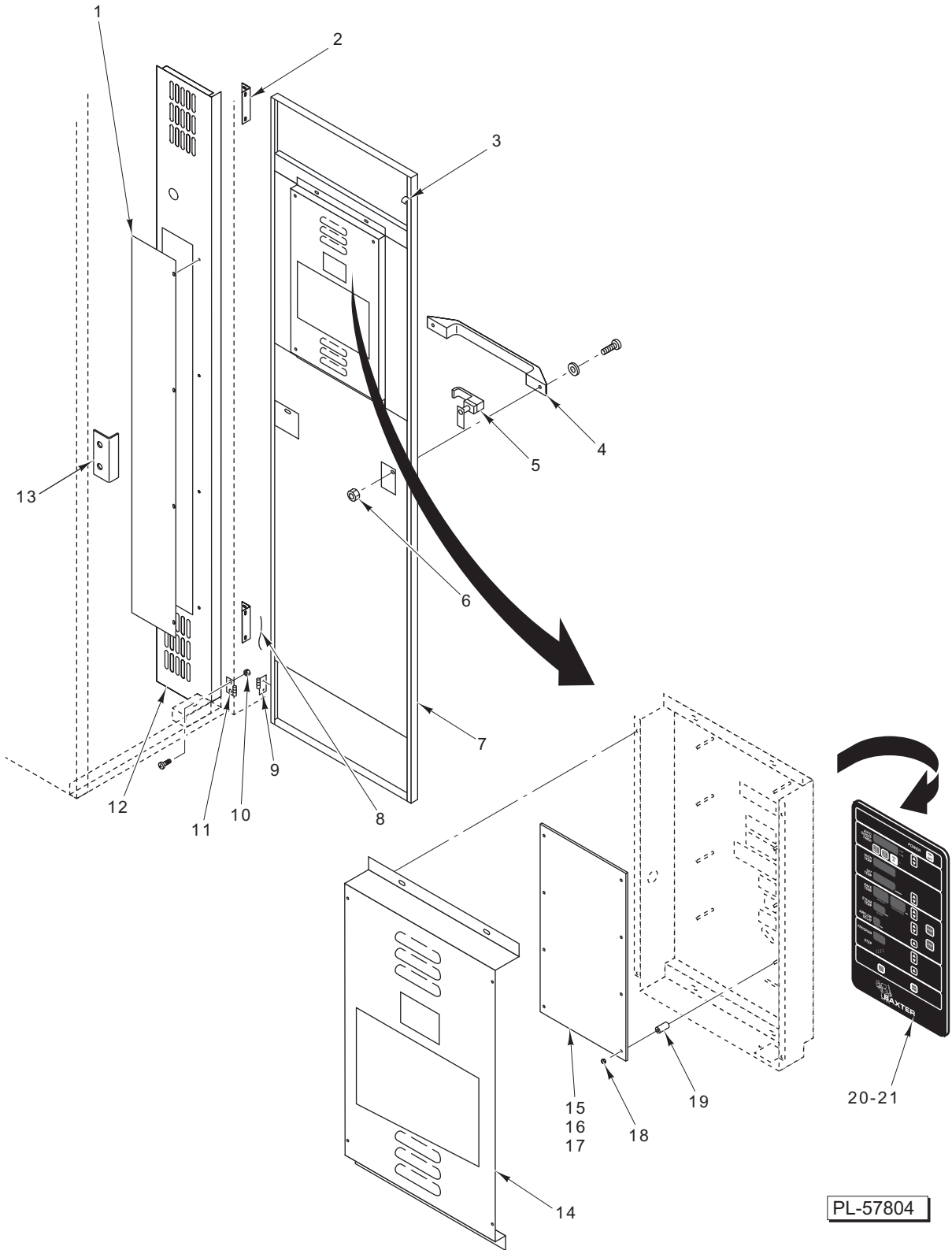
**CONTROL CABINET, DOOR, AND CONTROLLER (ML-132362)**



**CONTROL CABINET, DOOR, AND CONTROLLER (ML-132362)**

ILLUS.	PART NO.	NAME OF PART	AMT.
PL-57803			
1	01-1M5150-00001	Cover – Light Access.....	1
2	01-1M5482-00001	Angle – Control Cabinet.....	1
3	01-100V21-00092	Gasket – PVC Extruded “B” Shape.....	6 Ft.
4	01-100V18-00091	Handle.....	1
5	01-100V18-00161	Latch.....	1
6	01-1000V4-00165	Nut Hex.....	2
7	01-1M5480-00001	Door Assy. – Control (Incls. Items 2 thru 5, 8, & 11).....	1
8	01-1M2777-00001	Strap – Ground.....	1
9	01-1M1934-00001	Hinge – Control Door (Male).....	3
10	01-1000V4-00165	Nut Hex.....	6
11	01-1M1934-00002	Hinge – Control Door (Female).....	3
12	01-1M5149-00001	Panel – Service (Light Access).....	1
13	01-1M5479-00001	Catch – Control Door.....	1
14	01-1M5482-00001	Bracket.....	2
15	01-1M5405-00001	Cover – Controller.....	1
16	01-100V16-00590	EPROM (Standard).....	1
17	01-100V16-00648	EPROM (Advanced).....	1
18	01-100V16-00565	PC Board – Control (Standard & Advanced).....	1
19	01-1000V4-00165	Nut.....	8
20	01-1000V5-00164	Spacer – PC Board.....	8
21	01-100V16-0545B	Overlay – Controller (Standard).....	1
*22	01-100V16-0546B	Overlay – Controller (Advanced).....	1
	01-100V10-00223	Alarm – Piezo Pre-wired.....	1
	01-100V11-0030A	Connector – Seal Flex (3/8 x 90 Deg.).....	2
	01-1M1937-00003	Plate – Harness.....	1
	01-100V16-00584	Label – Control Status.....	1
	01-1M5569-00003	Kit – Conversion (Standard to Advanced).....	1
	01-1M5569-00004	Kit – Conversion (Advanced to Standard).....	1

\* On Units Built Before 3/28/05, Order Item 17.

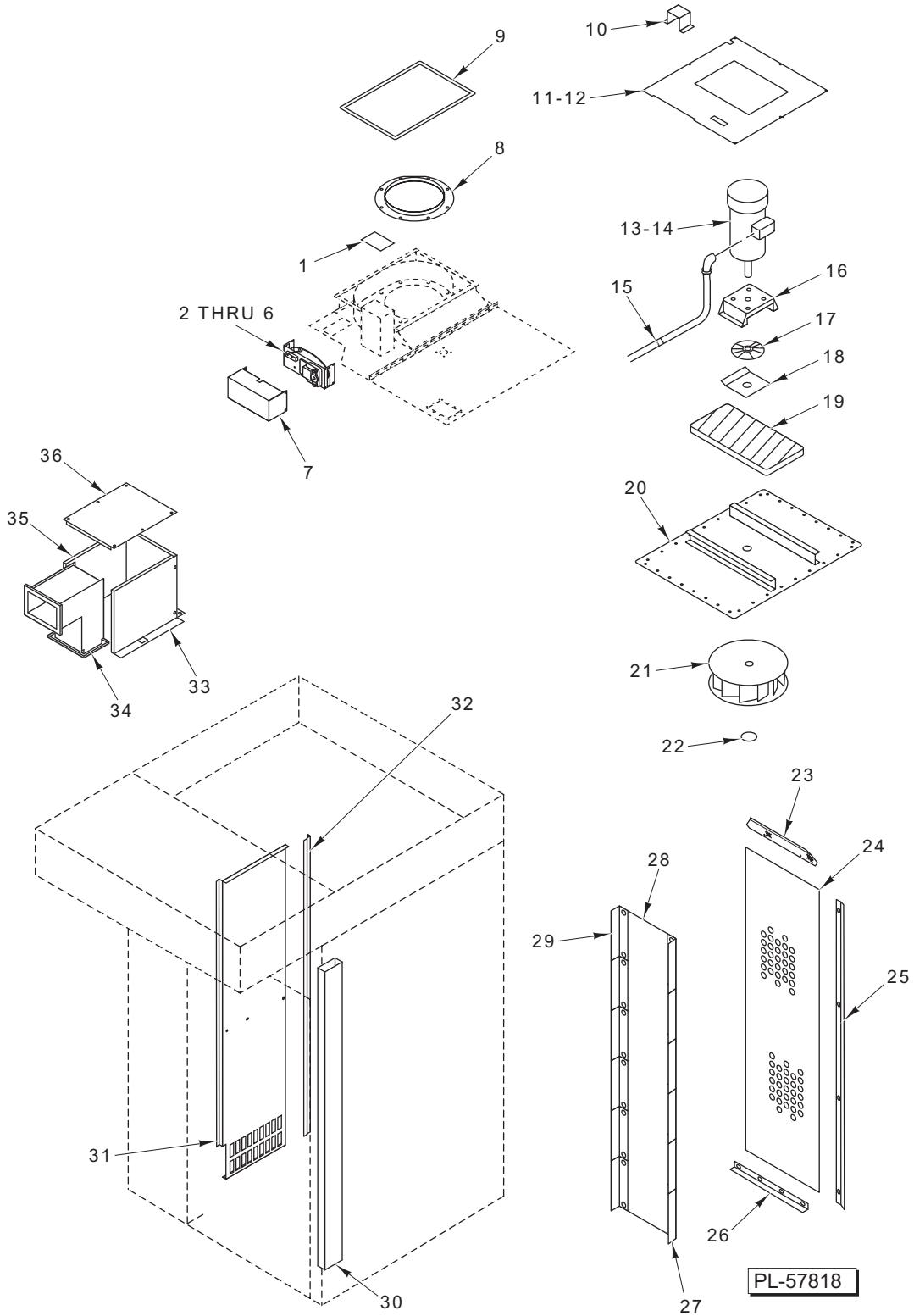


**CONTROL CABINET, DOOR, AND CONTROLLER (ML-132356)**

**CONTROL CABINET, DOOR, AND CONTROLLER (ML-132356)**

ILLUS. PL-57804	PART NO.	NAME OF PART	AMT.
1	01-1M5150-00001	Cover – Light Access.....	1
2	01-1M5482-00001	Angle – Control Cabinet (Machines Built After 4/1/04).....	2
3	01-100V21-00092	Gasket – PVC Extruded “B” Shape .....	6 Ft.
4	01-100V18-00091	Handle .....	1
5	01-100V18-00161	Latch (Machines Built After 4/1/04).....	1
6	01-1000V4-00165	Nut Hex.....	2
7	01-1M4992-00001	Door Assy. – Control (Incls. Items 2 thru 6, 8, & 11) .....	1
8	01-1M2777-00001	Strap – Ground .....	1
9	01-1M1934-00001	Hinge – Control Door (Male).....	3
10	01-1000V4-00165	Nut Hex.....	6
11	01-1M1934-00002	Hinge – Control Door (Female).....	3
12	01-1M5149-00001	Panel – Service (Light Access).....	1
13	01-1M5479-00001	Catch – Control Door (Machines Built After 4/1/04).....	1
14	01-1M5405-00001	Cover – Controller (Machines Built After 4/1/04) .....	1
15	01-100V16-00590	EPROM (Standard).....	1
16	01-100V16-00565	PC Board – Control (Standard & Advanced) .....	1
17	01-100V16-00648	EPROM (Advanced) .....	1
18	01-1000V4-00165	Nut Hex.....	8
19	01-1M3001-00003	Spacer – PC Board.....	8
20	01-100V16-0545B	Overlay – Controller (Standard).....	1
*21	01-100V16-0546B	Overlay – Controller (Advanced) .....	1
	01-1M5569-00003	Kit – Conversion (Standard to Advanced).....	1
	01-1M5569-00004	Kit – Conversion (Advanced to Standard) .....	1
	01-100V10-00223	Alarm – Piezo Pre-wired .....	1
	01-100V11-0030A	Connector – Seal Flex (3/8 x 90 Deg.) .....	2
	01-1M1937-00003	Plate – Harness .....	1
	01-100V16-00584	Label – Control Status .....	1

\* On Units Built Before 3/28/05, Order Item 17.

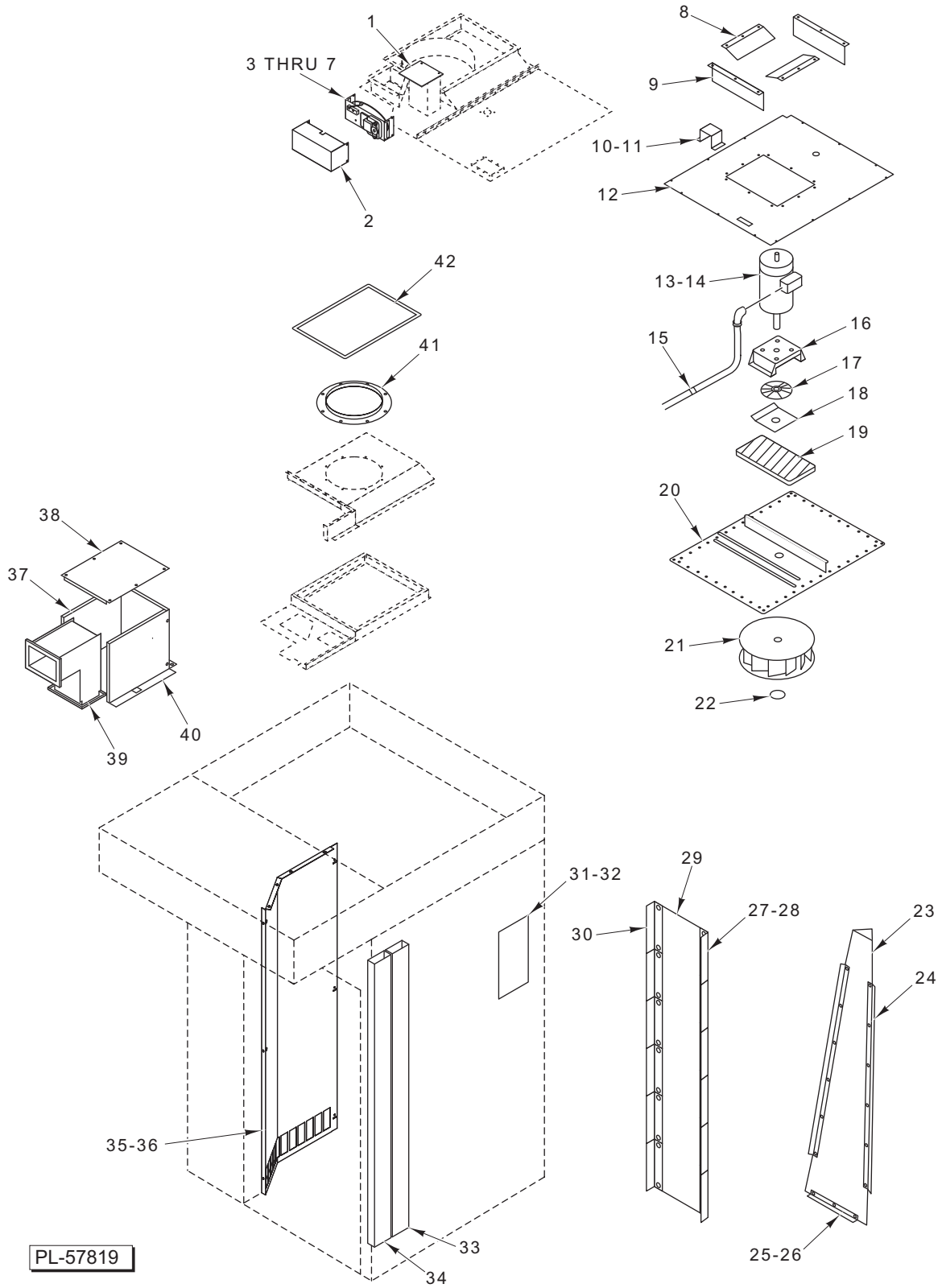


**BLOWER, PANELS, AND VENTS (ML-132362)**

**BLOWER, PANELS, AND VENTS (ML-132362)**

ILLUS.	PART NO.	NAME OF PART	AMT.
PL-57818			
1	01-1M5266-00001	Lid – Vent.....	1
2	01-1M5826-00001	Cam – Vent.....	1
3	01-1M5514-00002	Vent – Motor Actuator Assy.....	1
4	01-1M5102-00001	Bracket – Vent.....	1
5	01-1000V6-00001	Micro-Switch With Roller.....	1
6	01-1000V8-00109	Motor – Vent Gear.....	1
7	01-1M5101-00001	Cover – Vent Bracket.....	1
8	01-1M2451-00001	Bell – Inlet.....	1
*9	01-100V21-0005A	Tape – Fiberglass 1/4 x 1.....	AR
10	01-1M1433-00001	Protector – Thermocouple.....	1
11	01-1M5456-00001	Cover – Blower Insulation (Machines Built Before 3/15/04).....	1
12	01-1M5542-00001	Cover – Blower Insulation (Machines Built After 3/15/04).....	1
13	01-1000V8-00052	Motor – Blower (3 Ph., 1 1/2 Hp.).....	1
14	01-1000V8-00067	Motor – Blower (1 Ph., 2 Hp.).....	1
15	01-100V11-00073	Clamp – Conduit 1/2.....	2
16	01-1M1360-00001	Mount – Blower Motor.....	1
17	01-1M2458-00001	Heat Slinger Assy.....	1
18	01-1M1794-00001	Cover – Blower Insulation.....	1
19	01-1M1795-00001	Insulation – Blower.....	1
20	01-1M2059-00001	Weldment – Blower Mount.....	1
21	01-1000V8-00041	Wheel – Blower (15 In. Dia.).....	1
22	01-1000V1-00028	Ring – Snap.....	1
23	01-1M2101-00004	Z-Bar (Pressure Panel).....	1
24	01-1M2579-00001	Wall – Inner Pressure Panel.....	1
25	01-1M2479-00003	Retainer – Pressure Panel Bottom Wall.....	2
26	01-1M2479-00002	Retainer – Pressure Panel Side Wall.....	2
27	01-1M5459-00001	Shutter – Pressure Panel 97 Deg.....	6
28	01-1M5523-00001	Body – Pressure Panel Shutter Support.....	1
29	01-1M5459-00002	Shutter – Pressure Panel 90 Deg.....	6
30	01-1M2089-00001	Duct – Bottom Vent.....	1
31	01-1M5473-00001	Panel – Suction.....	1
32	01-1M5476-00001	Bracket – Mounting (Suction Panel).....	1
33	01-1M2222-00001	Side – Duct Insulation Cover.....	1
34	01-1M2074-00001	Duct – Vent.....	1
35	01-1M2223-00001	Body – Duct Insulation Cover.....	1
36	01-1M2224-00001	Top – Duct Insulation Cover.....	1
	01-1M2060-00002	Blower Assy. (3 Ph.) (Incls. Items 10 thru 13 & 15 thru 22).....	1
	01-1M2060-00004	Blower Assy. (1 Ph.) (Incls. Items 10 thru 12 & 14 thru 22).....	1
	01-1M5391-00001	Kit – Shutter Set.....	1

\* Sold Per Inch.

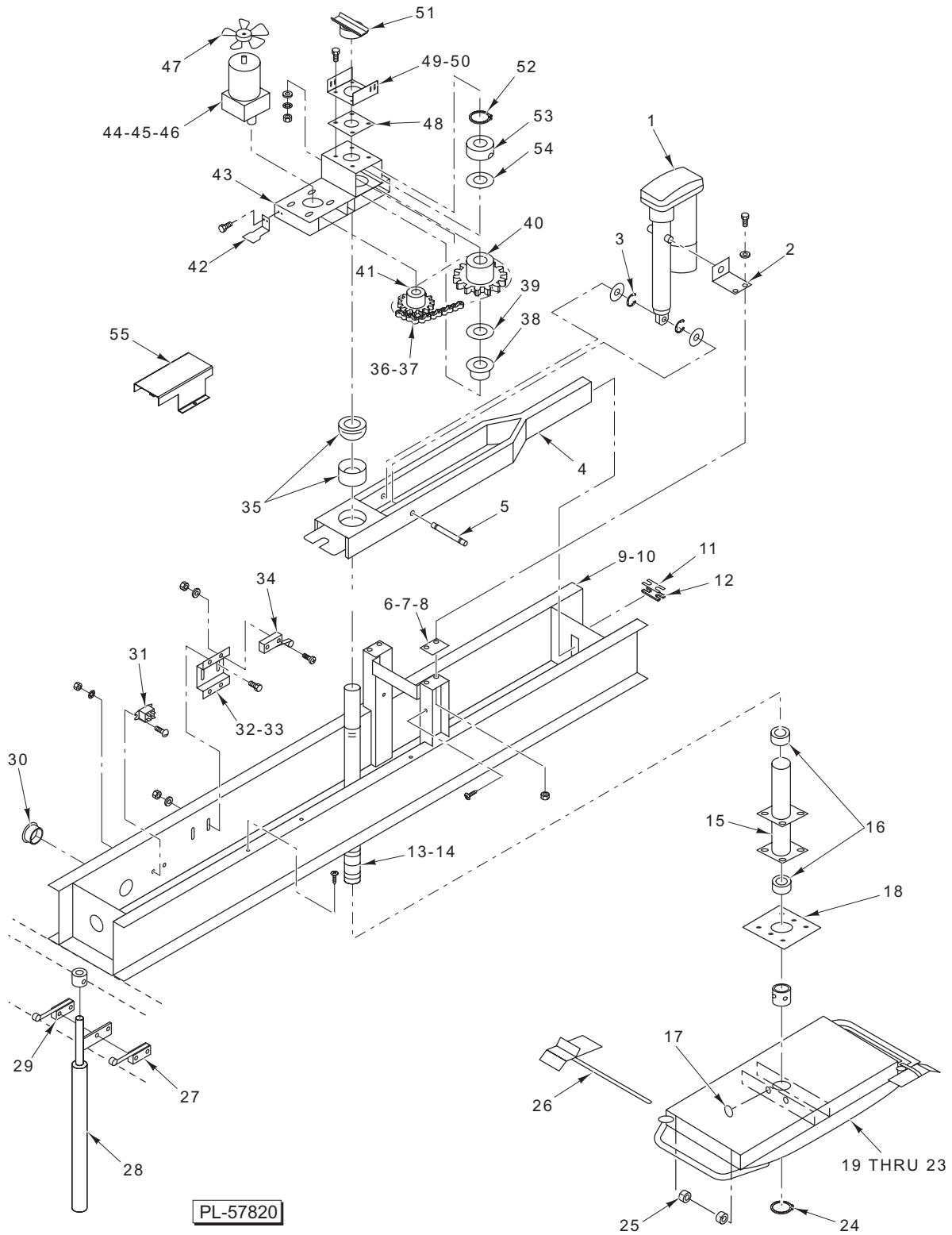


**BLOWER, PANELS, AND VENTS (ML-132356)**

**BLOWER, PANELS, AND VENTS (ML-132356)**

ILLUS. PL-57819	PART NO.	NAME OF PART	AMT.
1	01-1M5266-00001	Lid – Vent.....	1
2	01-1M5101-00001	Bracket – Vent Cover.....	1
3	01-1M5514-00002	Vent – Motor Actuator Assy.....	1
4	01-1M5826-00001	Cam – Vent.....	1
5	01-1M5102-00001	Bracket – Vent.....	1
6	01-1000V6-00001	Micro-Switch With Roller.....	1
7	01-1000V8-00109	Motor – Vent Gear.....	1
8	01-1M1895-00001	Cover – Blower Insulation.....	2
9	01-1M2227-00001	Liner – Blower Insulation Cover.....	2
10	01-1M1433-00001	Protector – Thermocouple.....	1
11	01-1A1828-00001	Kit – Thermocouple.....	1
12	01-1M5027-00001	Cover – Blower Insulation.....	1
13	01-1000V8-00052	Motor – Blower (3 Ph., 1½ Hp.).....	1
14	01-1000V8-00067	Motor – Blower (1 Ph., 2 Hp.).....	1
15	01-100V11-00073	Clamp – Conduit ½.....	2
16	01-1M1360-00001	Mount – Blower Motor.....	1
17	01-1M2458-00001	Heat Slinger Assy.....	1
18	01-1M1794-00001	Cover – Blower Insulation.....	1
19	01-1M1795-00001	Insulation – Blower.....	1
20	01-1M5026-00001	Weldment – Blower Mount.....	1
21	01-1000V8-00058	Wheel – Blower (18 In. Dia.).....	1
22	01-1000V1-00028	Ring – Snap.....	1
23	01-1M2560-00002	Retainer – Pressure Panel Side Wall.....	1
24	01-1M2579-00001	Wall – Inner Pressure Panel.....	1
25	01-1M2560-00001	Retainer – Pressure Panel Bottom Wall (Previous Construction).....	1
26	01-1M5686-00205	Panel – Pressure Retainer (Current Construction).....	1
27	01-1M3117-00001	Shutter – Pressure Panel 97 Deg.....	6
28	01-1000V4-00020	Insert – Threaded ¼-20.....	24
29	01-1M2096-00002	Body – Pressure Panel Shutter Support.....	1
30	01-1M5176-00001	Shutter – Pressure Panel 90 Deg.....	6
31	01-1M2557-00002	Guide – Pressure Panel Air (RH).....	1
32	01-1M2557-00001	Guide – Pressure Panel Air (LH).....	1
33	01-1M2566-00001	Duct – Side.....	1
34	01-1M2089-00001	Duct – Bottom Vent.....	1
35	01-1M5050-00001	Panel – Suction (Machines Built Before 4/25/07).....	1
36	01-1M5935-00002	Panel – Suction (Machines Built On or After 4/25/07) (Starting Serial #24-1045072).....	1
37	01-1M2223-00001	Body – Duct Insulation Cover.....	1
38	01-1M2224-00001	Top – Duct Insulation Cover.....	1
39	01-1M2074-00001	Duct – Vent.....	1
40	01-1M2222-00001	Side – Duct Insulation Cover.....	1
41	01-1M2451-00002	Bell – Inlet.....	1
*42	01-100V21-00058	Tape – Fiberglass ¼ x 1.....	AR
	01-1M5025-00001	Blower Assy. (3 Ph.) (Incls. Items 10 thru 13 & 15 thru 22).....	1
	01-1M5025-00002	Blower Assy. (1 Ph.) (Incls. Items 10, 11, 12, & 14 thru 22).....	1
	01-1M5391-00002	Kit – Shutter Set.....	1
	01-1M5601-00001	Cover – Hood Draft Inducer.....	1
	01-1M5602-00001	Plate – Cover Flue Outlet.....	1
	01-1M5406-00001	Filler – Corner Baffle.....	1

\*Sold Per Inch.....



**LIFTER AND ROTATOR**

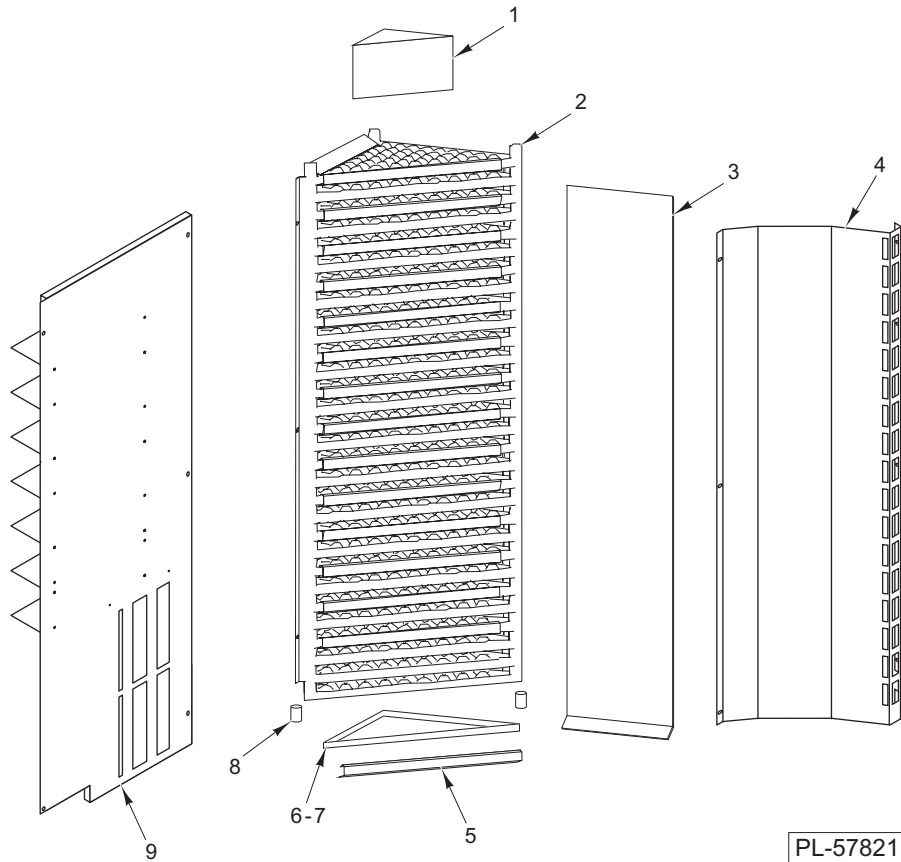
ILLUS.	PART NO.	NAME OF PART	AMT.
PL-57820			
1	01-1M2418-00001	Linear Actuator – Modified .....	1
2	01-1M2289-00001	Angle – Linear Actuator Support.....	2
3	01-1000V1-00037	Ring – Snap ½ In. Dia. ....	2



**LIFTER AND ROTATOR (CONT.)**

ILLUS.	PART NO.	NAME OF PART	AMT.
	PL-57820		
4	01-1M2304-00001	Arm .....	1
5	01-1M2290-00001	Shaft – Pivot (Linear Actuator Support) .....	1
*6	01-1M2766-00003	Shim (24 GA Steel) .....	AR
*7	01-1M2766-00002	Shim (24 GA Steel) .....	AR
*8	01-1M2766-00001	Shim (16 GA Steel) .....	AR
9	01-1M2298-00001	Weldment – Lifter (MI-132362) .....	1
10	01-1M2298-00002	Weldment – Lifter (MI-132356) .....	2
11	01-1M2730-00001	Plate .....	1
12	01-1M2731-00001	Strip .....	1
13	01-1M2797-00001	Shaft (Standard 28.35 - 28.41) .....	1
14	01-1M4865-00001	Shaft – Short (26.85 - 26.91) (C Lift) (Canada Only) .....	1
15	01-1M2140-00001	Housing – Rotator Shaft .....	1
16	01-1000V0-00055	Bearing – Rotator Shaft .....	2
17	01-100V15-00048	Plug – Nickel Plated (For 0.75 Hole) .....	1
18	01-1M1899-00001	Clamp – Rotator Housing .....	1
19	01-1M5363-00001	Rack – Carrier (A Style) (MI-132356) .....	1
20	01-1M2796-00001	Rack – Carrier (B Style) (Incls. Items 25 & 26) (MI-132362) .....	1
21	01-1M2796-00002	Rack – Carrier (B Style) (Incls. Items 25 & 26) (MI-132356) .....	1
22	01-1M4862-00002	Rack – Carrier (C Style) (MI-132362) .....	1
23	01-1M4862-00001	Rack – Carrier (C Style) (MI-132356) .....	1
24	01-1000V1-00004	Ring – Snap (1½ In.) .....	1
25	01-1000V1-00013	Collar – Set ½ In. Dia. .....	1
26	01-1M2580-00002	Stop – Rack Carrier (B Style Carrier) .....	1
27	01-1000V6-00223	Switch – Lever DPST .....	1
28	01-1M2765-00001	Rod – Door Switch Actuator Pivot .....	1
29	01-1000V6-00065	Micro – Switch .....	1
30	01-1000V5-00073	Bushing – Snap ⅕ In. Dia. .....	1
31	01-1000V6-00070	Relay .....	1
32	01-1M2296-00001	Bracket – Micro-Switch (A Style) (MI-132356) .....	1
33	01-1M2296-00002	Bracket – Micro-Switch (B & C Style) .....	1
34	01-1000V6-00065	Micro – Switch .....	1
35	01-1000V0-00051	Bushing – Spherical .....	1
36	01-1000V3-00088	Link – Connecting .....	1
37	01-1000V3-0087A	Chain – Roller 20⅞ In. .....	1
38	01-1000V0-00054	Bearing – Flanged .....	1
39	01-1000V0-00068	Washer – Thrust .....	1
40	01-1M2228-00001	Sprocket .....	1
41	01-1000V3-00105	Sprocket (17T) .....	1
42	01-1M2489-00001	Actuator – Micro-Switch .....	1
43	01-1M2114-00001	Rotator – Weldment .....	1
44	01-1000V8-00111	Capacitor .....	1
45	01-1000V8-00110	Gear Motor .....	1
46	01-1000V8-0049D	Bracket – Mounting .....	1
47	01-1000V8-00113	Blade – Fan 8 In. Dia. .....	1
48	01-1M1927-00001	Plate – Teflon .....	1
49	01-1M5085-00001	Plate – Rotator .....	1
50	01-1000V6-00001	Micro-Switch .....	1
51	01-1M5201-00001	Pointer .....	1
52	01-1000V1-00004	Ring – Snap (1½ In.) .....	1
53	01-1M2264-00001	Collar – Set .....	1
54	01-1M2265-00001	Clutch – Slide .....	1
55	01-1M5678-00001	Cover – Harness .....	1
	01-1M5133-00001	Lifter Assy. (Incls. Items 1 thru 5, 10, 11, 12, 27, & 29 thru 32) (MI-132356) .....	1
	01-1M5133-00002	Lifter Assy. (Incls. Items 1 thru 5, 9, 11, 12, 27, 29, 30, 31, & 33) (MI-132362) .....	1
	01-1M5037-00001	Harness – Lifter .....	1
	01-1000V5-00023	Pad – Mounting .....	6
	01-1000V5-00015	Nut – Wire .....	3
	01-1000V5-00014	Tie – Cable .....	6
	01-1M2750-00001	Side – Lifter Cover .....	2
	01-1M2751-00002	Front – Lifter Cover .....	1
	01-1M2752-00001	Back – Lifter Cover .....	1

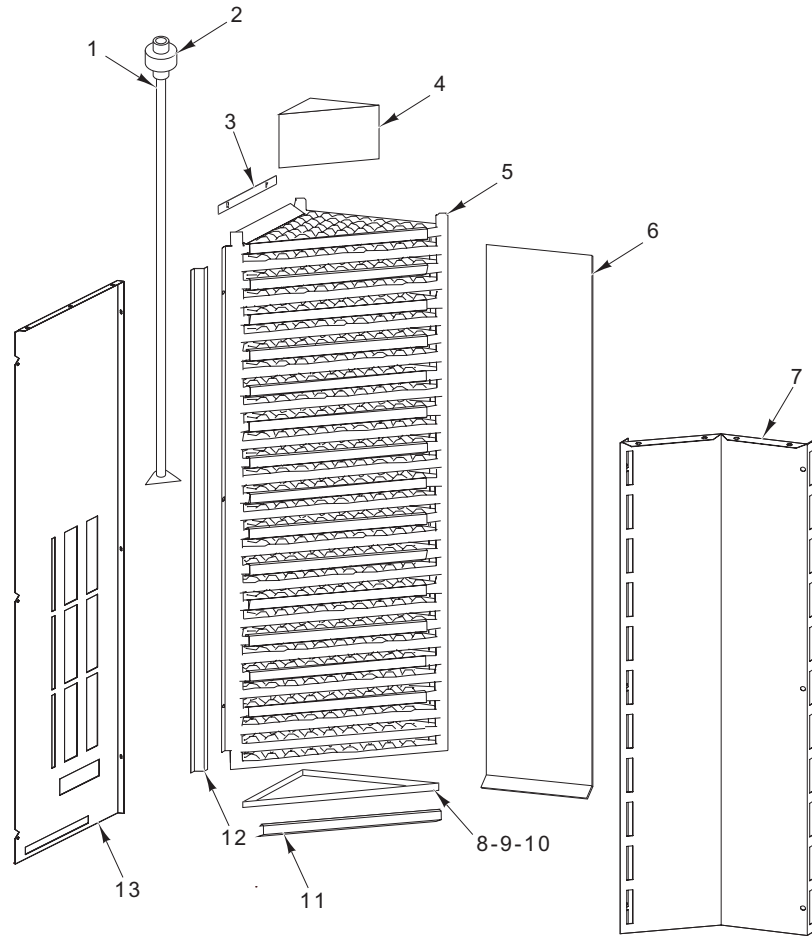
\* This part used intermittently and in varying quantities. Most lifter assemblies will not require this part, but a few will require one. A very few will require more than one.



PL-57821

**STEAMER ASSEMBLY (ML-132362)**

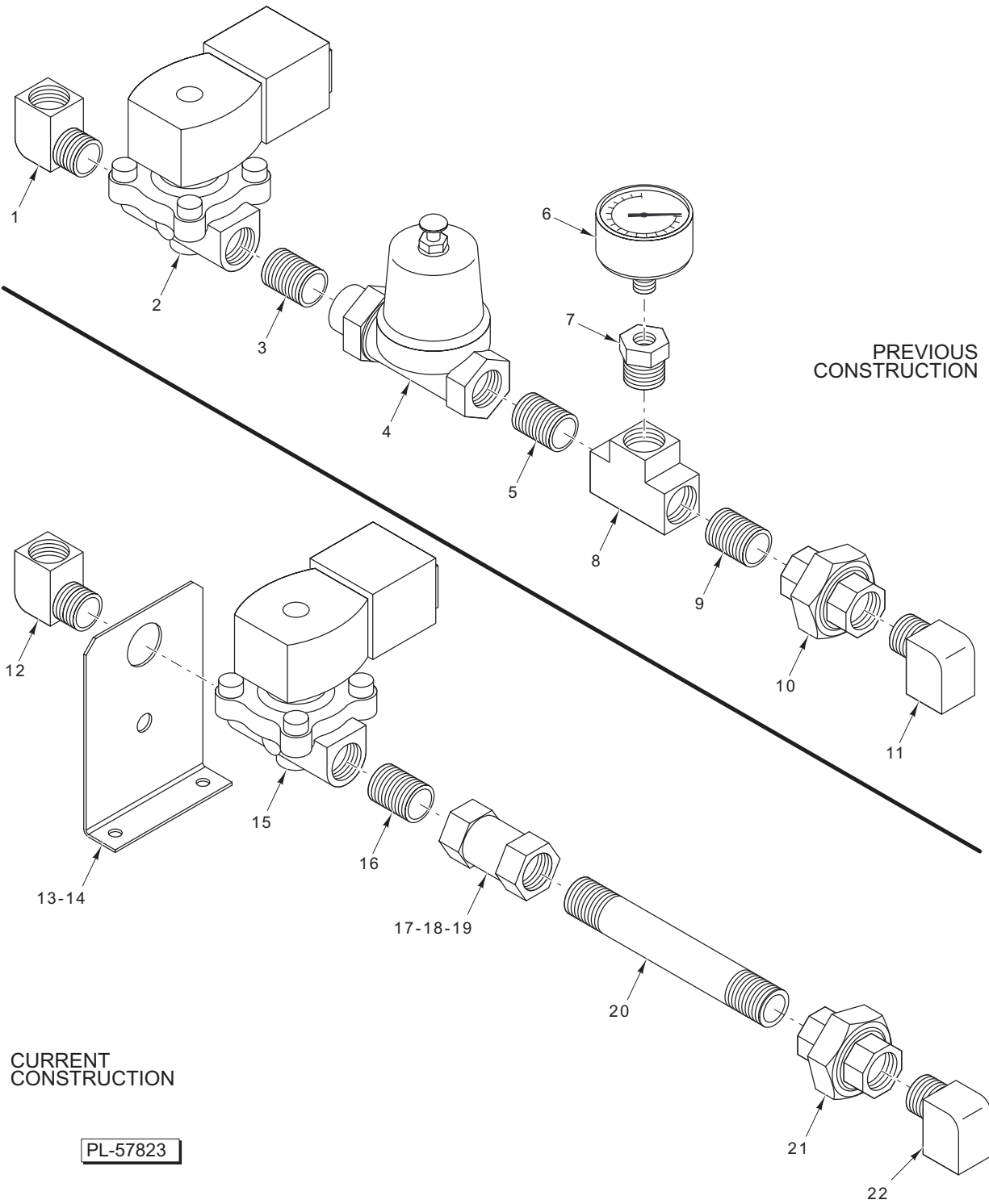
ILLUS.	PART NO.	NAME OF PART	AMT.
PL-57821			
1	01-1M5198-00001	Box Weldment – Steamer .....	1
2	01-100V16-00529	Casting – Steamer .....	15
3	01-1M5475-00001	Sheet – Splash .....	1
4	01-1M5474-00001	Panel – Steamer .....	1
5	01-1M5065-00001	Bracket – Water Guide.....	7
6	01-1M5064-00001	Pan – Drain.....	1
7	01-1M5068-00001	Plate – Mounting (Drain Pan) .....	1
8	01-1M5536-00001	Support – Steamer Castings.....	2
9	01-1M5471-00001	Panel – Steamer (Rear).....	1
	01-1M5164-00101	Manifold – Steamer Weldment.....	1



PL-57822

**STEAMER ASSEMBLY (ML-132356)**

ILLUS.	PART NO.	NAME OF PART	AMT.
PL-57822			
1	01-1M5146-00001	Manifold Assy. – Steamer (Incls. Item 2).....	1
2	01-100V17-00286	Union 1/2 In. Dia. NPT.....	1
3	01-1M5171-00001	Angle – Shutter Casting (Top Section).....	1
4	01-1M5198-00001	Box Weldment – Steamer.....	1
5	01-100V16-00529	Casting – Steamer.....	30
6	01-1M5067-00001	Sheet – Splash.....	1
7	01-1M5051-00001	Panel – Steamer.....	1
8	01-1M5064-00001	Pan – Drain.....	1
9	01-1M5510-00001	Gasket (8 In.).....	1
10	01-1M5068-00001	Plate – Mounting (Drain Pan).....	1
11	01-1M5065-00001	Bracket – Water Guide.....	15
12	01-1M5171-00002	Angle – Shutter Casting (Side Section).....	1
13	01-1M5049-00001	Panel – Steamer (Rear).....	1



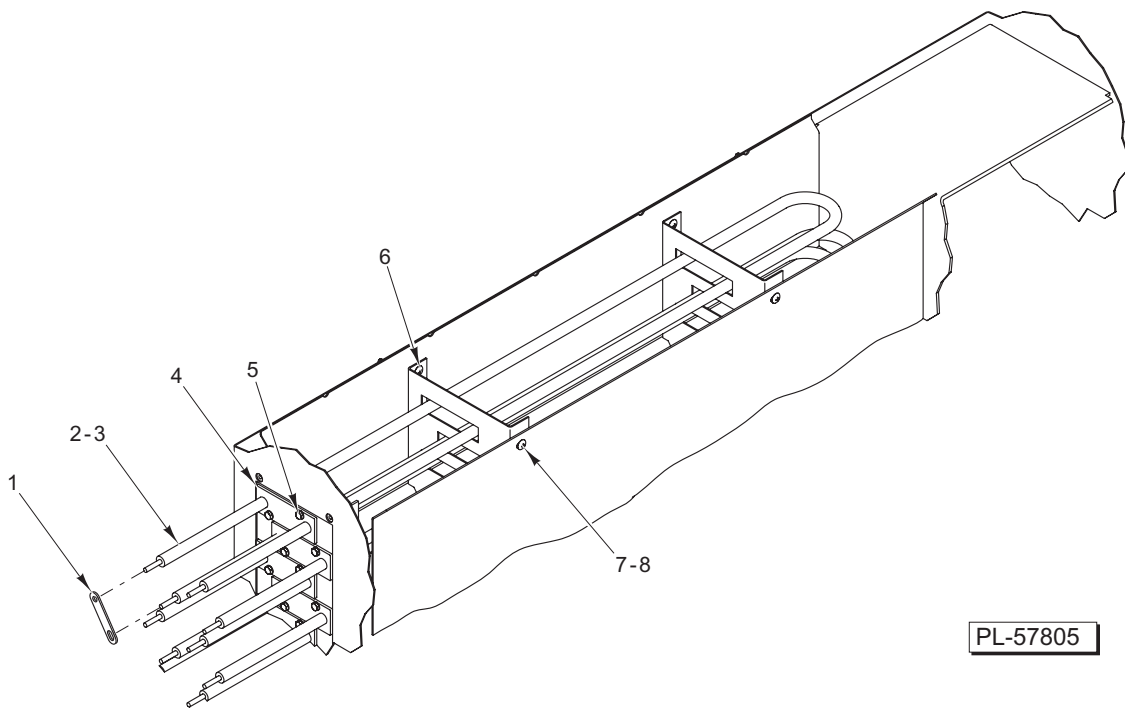
CURRENT  
CONSTRUCTION

PL-57823

**EXTERIOR WATER SUPPLY**

**EXTERIOR WATER SUPPLY**

ILLUS. PL-57823	PART NO.	NAME OF PART	AMT.
1	01-100V17-00322	Ell 1/2 Street (Brass).....	1
2	01-100V17-00274	Valve – Solenoid – Water (2 Way) (120 V.).....	1
3	01-100V17-00288	Nipple 1/2 Dia. Close (Brass).....	1
4	01-100V17-00330	Regulator – Water Pressure 1/2 NPTF (10-70 PSI).....	1
5	01-100V17-00288	Nipple 1/2 Dia. Close (Brass).....	1
6	01-100V17-00204	Gauge – Pressure (100 PSI).....	1
7	01-100V17-00229	Bushing 1/2 NPT x 1/4 NPT (Brass).....	1
8	01-100V17-00312	Tee 1/2 NPT (Brass).....	1
9	01-100V17-00288	Nipple 1/2 Dia. Close (Brass).....	1
10	01-100V17-00286	Union 1/2 Dia. NPT (Brass).....	1
11	01-100V17-00322	Ell 1/2 Street (Brass).....	1
12	01-100V17-00322	Ell 1/2 Street (Brass).....	1
13	01-1M5818-00102	Bracket – Water Supply Support (Single Rack).....	1
14	01-1M5818-00101	Bracket – Water Supply Support (Double Rack).....	1
15	01-100V17-00274	Valve – Solenoid – Water (2 Way) (120 V.).....	1
16	01-100V17-00288	Nipple 1/2 Dia. Close (Brass).....	1
17	01-100V17-00567	Regulator – Flow 1/2 NPTF (2 G.P.M.).....	1
18	01-100V17-00568	Regulator – Flow 1/2 NPTF (3 G.P.M.).....	1
19	01-100V17-00569	Regulator – Flow 1/2 NPTF (5 G.P.M.).....	1
20	01-100V17-00570	Nipple 1/2 In. Dia. x 6 In. (Brass).....	1
21	01-100V17-00286	Union 1/2 Dia. NPT (Brass).....	1
22	01-100V17-00322	Ell 1/2 Street (Brass).....	1
	01-1M5818-00001	Water Supply (2 G.P.M.) (Single Rack Ovens).....	1
	01-1M5818-00002	Water Supply (3 G.P.M.) (Double Rack Ovens).....	1



**HEATING ELEMENTS**

**HEATING ELEMENTS**

ILLUS.	PART NO.	NAME OF PART	AMT.
PL-57805			
1	01-1M5578-00001	Jumper – Heater .....	AR
2	01-100V10-0228A	Element – Heating (208 V., 2850 W.) (Double Rack).....	18
3	01-100V10-0228B	Element – Heating (240 V., 2850 W.) (Single Rack).....	12
4	01-1M5539-00001	Plate – Heater Mounting .....	1
5	-	Screw 10-32 (With Lockwasher).....	38
6	01-1M5411-00001	Support – Element.....	2
7	01-1000V4-00121	Insert – Threaded 10-32 Hex .....	8
8	-	Mach. Screw 10-32 x 1/2 Phil. Truss Hd. ....	8

