



CATALOG OF REPLACEMENT PARTS

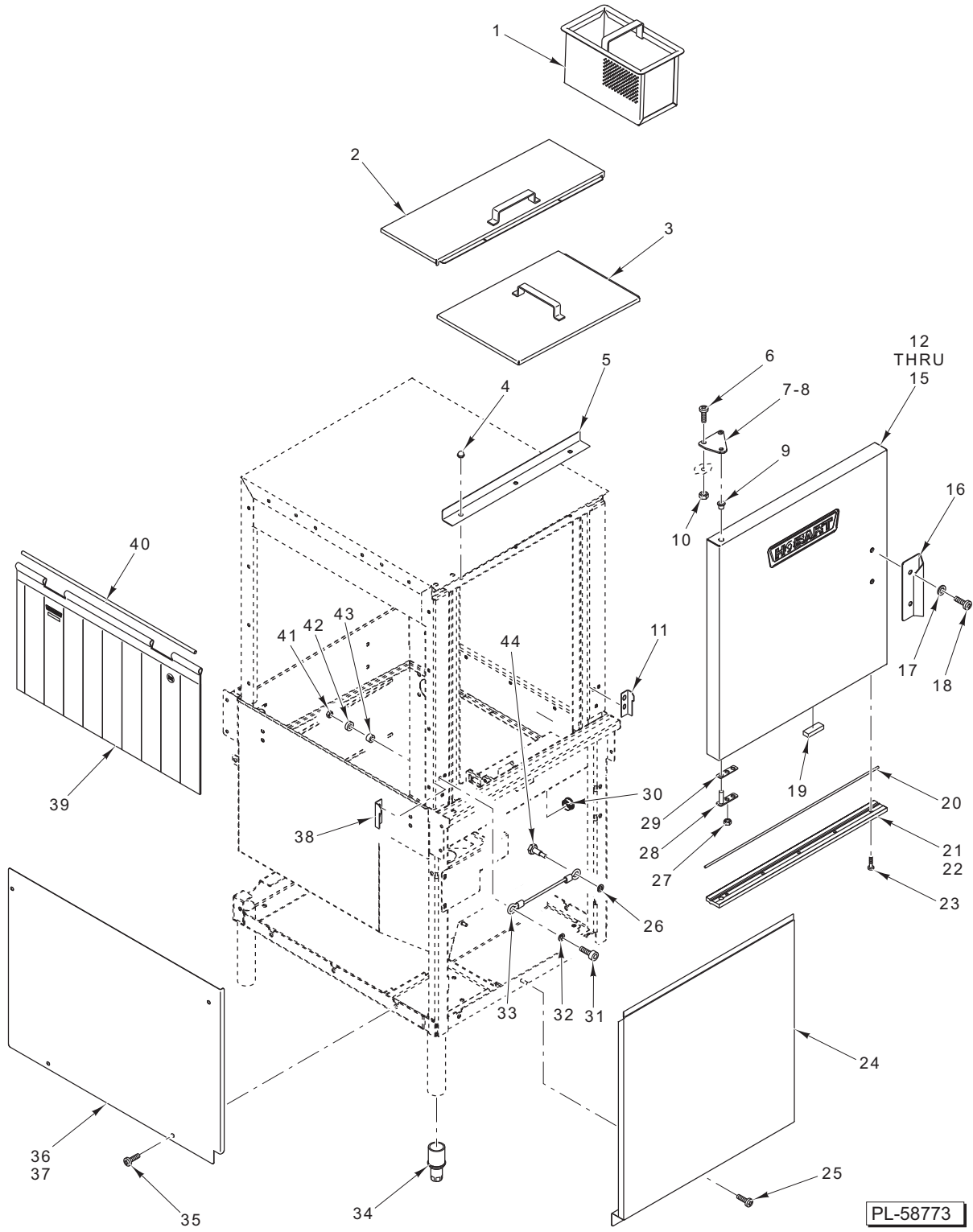


PS22 PREWASH SECTION

CLPS66e (R-L)	ML-138103
CLPS66e (L-R)	ML-138104
CLPS76e (R-L)	ML-138107
CLPS76e (L-R)	ML-138108
CLPS86e (R-L)	ML-138176
CLPS86e (L-R)	ML-138177

TABLE OF CONTENTS

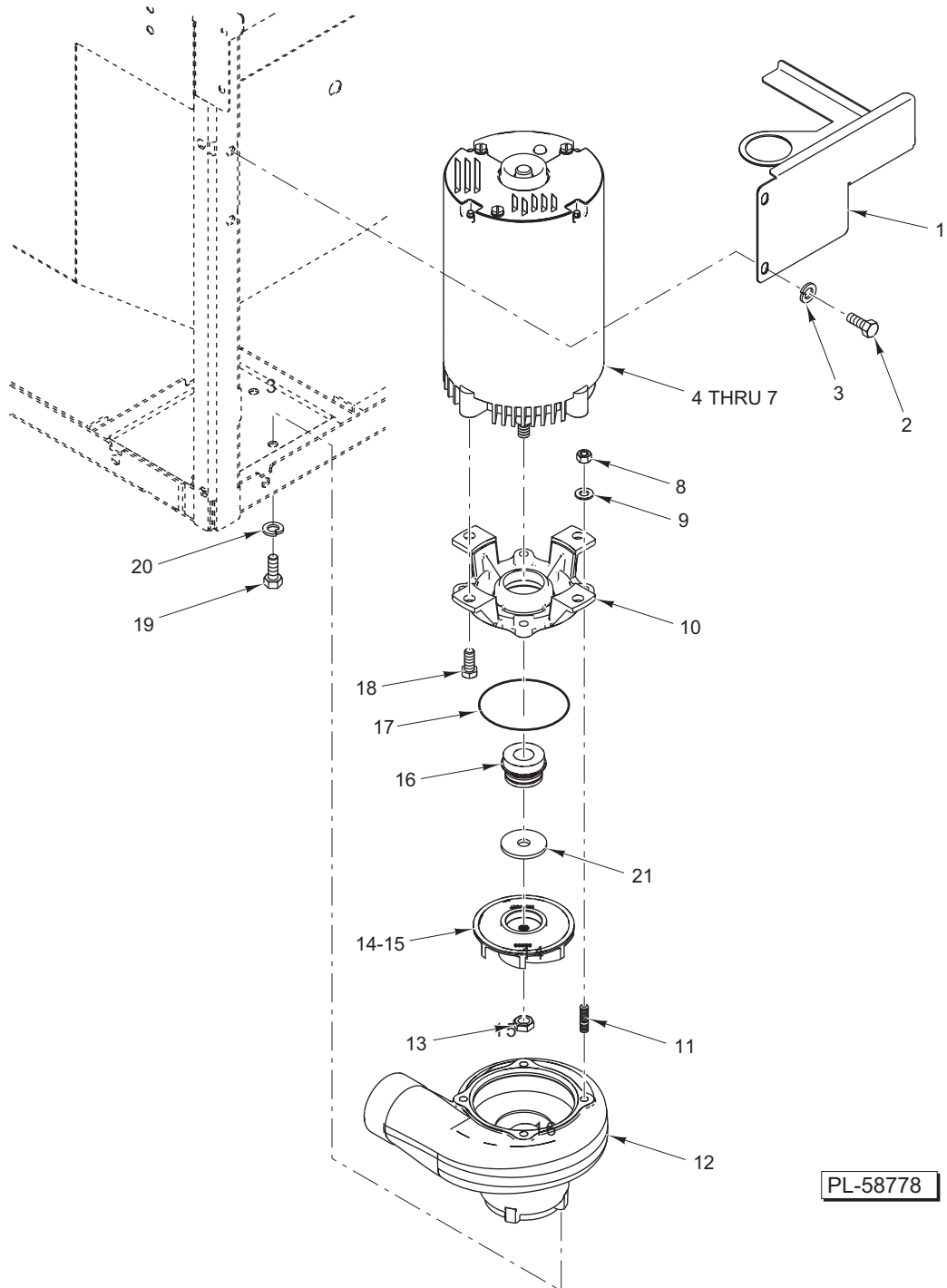
5	DOORS AND PANELS
7	PREWASH MOTOR AND PUMP
9	TRACK AND CRADLE (CLPS66e)
11	TRACK AND CRADLE (CLPS76e AND CLPS86e)
13	UPPER WASH ARM
15	LOWER WASH ARM
17	DRAIN AND FLOWBACK
19	SENSORS AND FLOATS



DOOR AND PANELS

DOORS AND PANELS

ILLUS. PL-58773	PART NO.	NAME OF PART	AMT.
1	00-936161	Strainer – Bucket	1
2	00-936243-00001	Strainer – Rear	1
3	00-936242-00001	Strainer – Front	1
4	NS-025-06	Crown Nut $\frac{1}{4}$ -20 (SST)	3
5	00-936277	Deflector – Short Steam	1
6	SC-041-10	Cap Screw $\frac{5}{16}$ x $\frac{5}{8}$ Hex Hd. (SST)	2
7	00-936014-00002	Hinge – Top Door (RH)	1
8	00-936014-00003	Hinge – Top Door (LH)	1
9	00-919218	Bearing	1
10	NS-015-11	Nut $\frac{5}{16}$ -18 Hex (SST)	2
11	00-936581-00001	Brace – Chamber Front (Right)	1
12	00-935886-00001	Door – Left (STD)	1
13	00-935886-00002	Door – Left (HTS)	1
14	00-935882-00001	Door – Right (STD)	1
15	00-935882-00002	Door – Right (HTS)	1
16	00-919719	Handle – Door	1
17	WS-017-06	Washer	2
18	SC-041-50	Cap Screw $\frac{1}{4}$ -20 x $\frac{1}{2}$ (SST)	2
19	00-290160	Magnet	2
20	00-557950	Gasket	1
21	00-936263	Seal – Left Door Bottom	1
22	00-919211	Seal – Right Door Bottom	1
23	SC-125-85	Screw $\frac{1}{4}$ -20 x $\frac{5}{8}$ Phil. Truss Hd. (SST)	5
24	00-935870	Panel – Front Trim	1
25	SC-125-15	Mach. Screw $\frac{1}{4}$ -20 x $\frac{1}{2}$ Phil. Truss Hd.	2
26	WL-006-17	Lockwasher $\frac{1}{4}$ Helical	1
27	NS-036-19	Stop Nut $\frac{5}{16}$ -18 Hex (SST)	1
28	00-935868	Pin – Hinge	1
29	00-936266	Gasket – Hinge	1
30	FE-022-40	Bushing – Electrical Snap	1
31	SC-130-42	Shoulder Screw $\frac{5}{16}$ Dia., $\frac{1}{4}$ -20 x $\frac{1}{2}$ Hex Socket Hd. (SST)	1
32	WL-006-23	Lockwasher $\frac{5}{16}$ Helical	1
33	00-936527	Cable – Door Stop	1
34	00-288946-00002	Foot – Adjustable Hex	1
35	SC-125-15	Mach. Screw $\frac{1}{4}$ -20 x $\frac{1}{2}$ Phil. Truss Hd.	4
36	00-919875	Panel – Trim End (Left)	1
37	00-919867	Panel – Trim End (Right)	1
38	00-936581-00002	Brace – Chamber Front (Left)	1
39	00-919509	Curtain – Short Splash	1
40	00-919507	Rod – Curtain	1
41	NS-036-19	Stop Nut $\frac{5}{16}$ -18 Hex (SST)	1
42	WS-017-06	Washer	2
43	00-936526	Cushion – Door Stop	1
44	SC-129-82	Shoulder Screw $\frac{1}{4}$ Dia., $\frac{1}{4}$ -20 x $\frac{1}{4}$ Hex. Socket Hd. (SST)	1

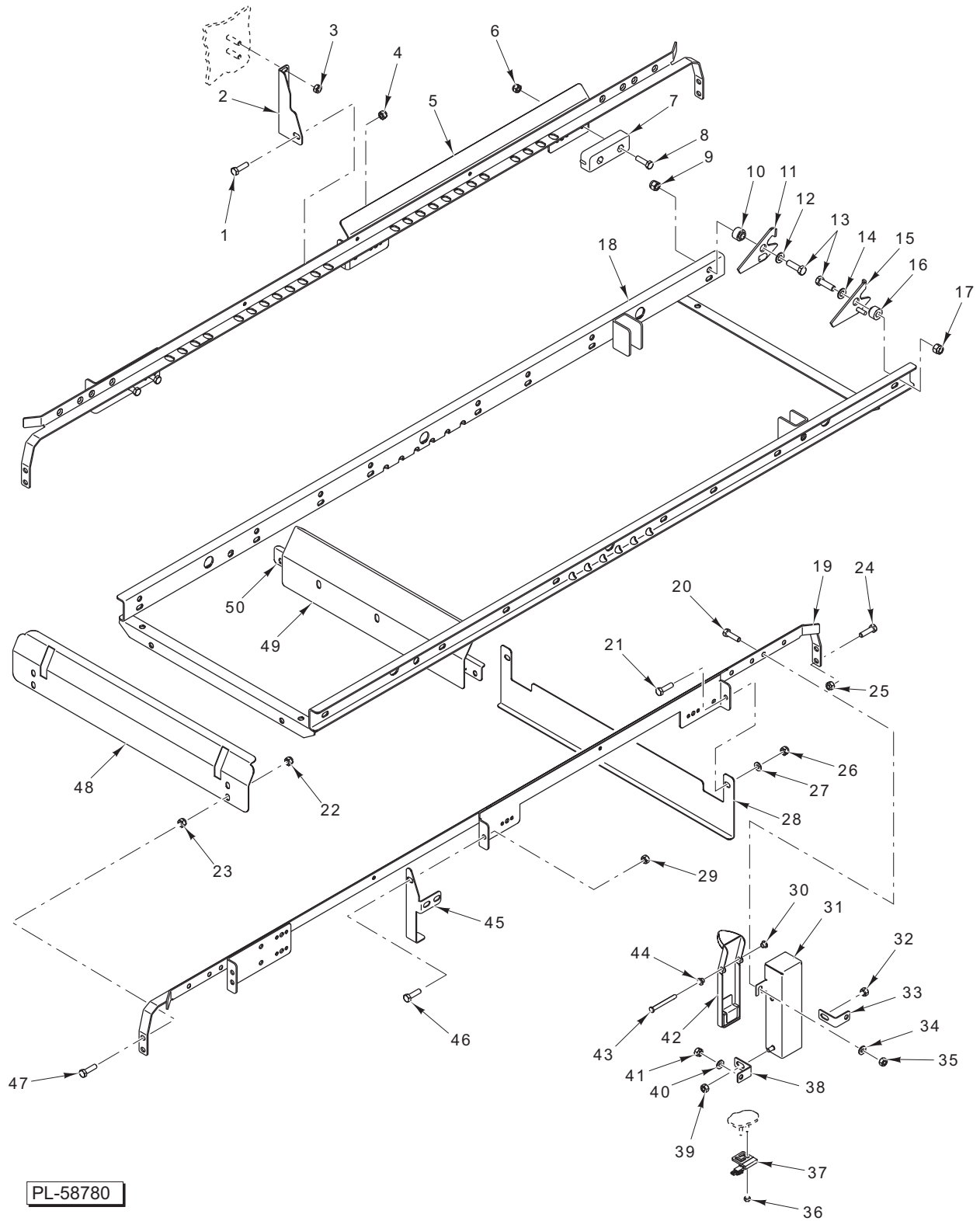


PL-58778

PREWASH MOTOR AND PUMP

PREWASH MOTOR AND PUMP

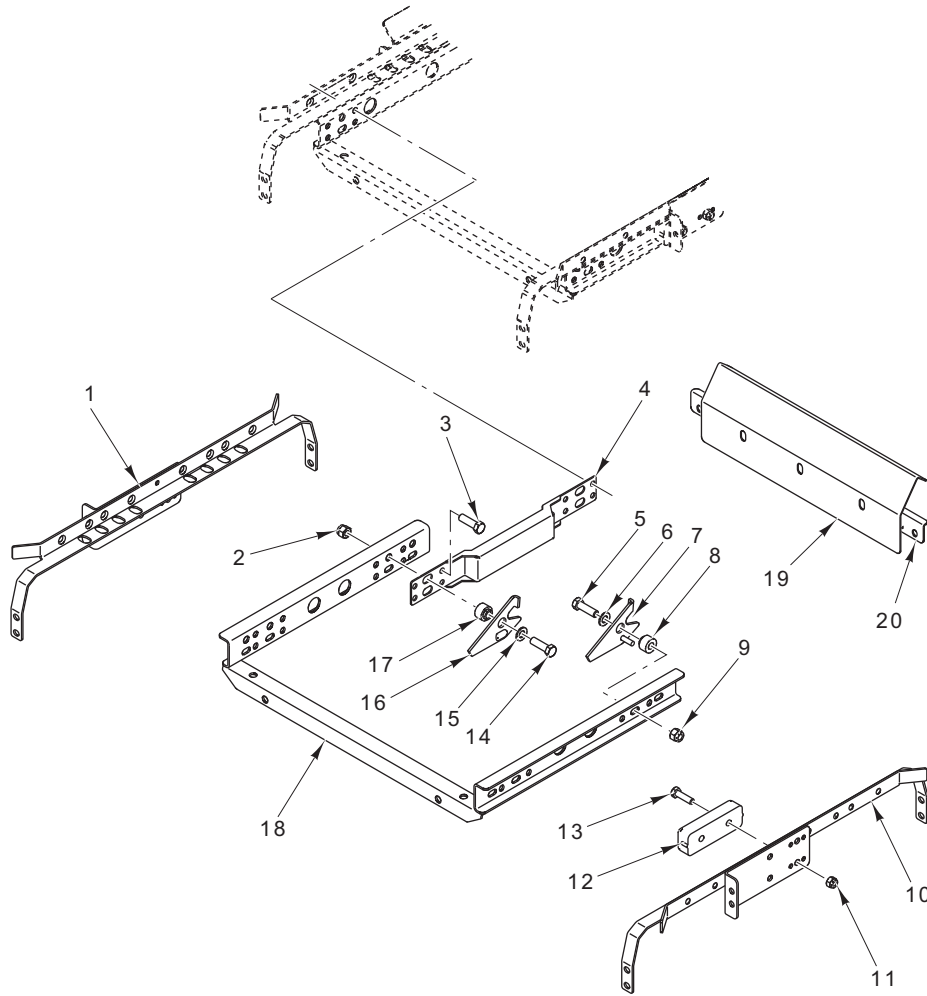
ILLUS. PL-58778	PART NO.	NAME OF PART	AMT.
1	00-936015	Strap – Motor Support	1
2	SC-041-50	Cap Screw $\frac{1}{4}$ -20 x $\frac{1}{2}$ Hex Hd. (SST)	2
3	WL-006-17	Lockwasher $\frac{1}{4}$ Helical.....	2
4	00-893039-00008	Motor (208-240/480 V., 60 Hz., 3 Ph.)	1
5	00-893039-00009	Motor (208-240 V., 60 Hz., 1 Ph.).....	1
6	00-893039-00010	Motor (240-380 V., 50 Hz., 3 Ph.).....	1
7	00-919229-00002	Motor (600 V., 60 Hz., 3 Ph.)	1
8	NS-015-11	Nut $\frac{5}{16}$ -18 (SST)	4
9	WS-005-32	Washer.....	4
10	00-919229-00001	Pump – Motor Adapter.....	1
11	00-919229-00003	Stud $\frac{5}{16}$ -18 x $1\frac{1}{8}$	4
12	00-919229-00002	Pump – Involute.....	1
13	00-893039-00003	Jam Nut $\frac{7}{16}$ -20.....	1
14	00-919229-00006	Impeller (60 Hz.)	1
15	00-919229-00007	Impeller (50 Hz.)	1
16	00-274227-00006	Seal.....	1
17	00-067500-00152	O-Ring	1
18	SC-041-29	Cap Screw $\frac{3}{8}$ -16 x $\frac{7}{8}$ Hex Hd. (SST)	4
19	SC-041-50	Cap Screw $\frac{1}{4}$ -20 x $\frac{1}{2}$ Hex Hd. (SST)	4
20	WL-006-17	Lockwasher $\frac{1}{4}$ Helical (SST).....	4
21	00-936608	Shim Kit (Incls. 0.005 In. Thk., Qty. 2; 0.015 In. Thk., Qty. 1; Gauge)	1



TRACK AND CRADLE (CLPS66e)

TRACK AND CRADLE (CLPS66e)

ILLUS. PL-58780	PART NO.	NAME OF PART	AMT.
1	SC-041-14	Cap Screw $\frac{5}{16}$ -18 x $1\frac{1}{8}$ Hex Hd. (SST)	1
2	00-936252	Track – Back Support	1
3	NS-031-19	Stop Nut $\frac{1}{4}$ -20 Hex (SST)	2
4	NS-036-19	Stop Nut $\frac{5}{16}$ -18 Hex (SST)	1
5	00-919832-00001	Rack – Track (66 In.) (Front R-L) (Rear L-R)	1
6	NS-036-19	Stop Nut $\frac{5}{16}$ -18 Hex (SST)	8
7	00-473231	Slide – Large Slider	4
8	SC-041-14	Cap Screw $\frac{5}{16}$ -18 x $1\frac{1}{8}$ Hex Hd. (SST)	8
9	NS-046-09	Stop Nut $\frac{3}{8}$ -16 (SST)	4
10	00-270983	Spacer – Cradle Dog	4
11	00-436704-00001	Dog – Pin (Front R-L) (Rear L-R)	4
12	WS-018-04	Washer	4
13	SC-041-31	Cap Screw $\frac{3}{8}$ -16 x $1\frac{1}{4}$ Hex Hd. (SST)	8
14	WS-018-04	Washer	4
15	00-436704-00002	Dog – Pin (Front L-R) (Rear R-L)	4
16	00-270983	Spacer – Cradle Dog	4
17	NS-046-09	Stop Nut $\frac{3}{8}$ -16 (SST)	4
18	00-935969	Cradle (66 In.)	1
19	00-919832-00002	Rack – Track (66 In.) (Front L-R) (Rear R-L)	1
20	SC-022-40	Mach. Screw $\frac{1}{4}$ -20 x $\frac{3}{4}$ Phil. Flat Hd. (SST)	2
21	SC-041-05	Cap Screw $\frac{1}{4}$ -20 x $\frac{5}{8}$ Hex Hd. (SST)	2
22	NS-036-19	Stop Nut $\frac{5}{16}$ -18 Hex (SST)	1
23	NS-015-11	Nut $\frac{5}{16}$ -18 Hex (SST)	4
24	SC-041-10	Cap Screw $\frac{5}{16}$ -18 x $\frac{5}{8}$ Hex Hd. (SST)	4
25	NS-036-19	Stop Nut $\frac{5}{16}$ -18 Hex (SST)	8
26	NS-031-19	Stop Nut $\frac{1}{4}$ -20 Hex (SST)	2
27	WS-017-06	Washer	2
28	00-936185	Baffle – Rinse Area	1
29	NS-031-19	Stop Nut $\frac{1}{4}$ -20 Hex (SST)	1
30	00-919722	Bearing – IGUS	1
31	00-936249	Shroud – Actuator	1
32	NS-031-19	Stop Nut $\frac{1}{4}$ -20 Hex (SST)	1
33	00-936248	Bracket – Small Actuator Shroud	1
34	WS-017-06	Washer	2
35	NS-047-82	Stop Nut $\frac{1}{4}$ -20 (SST)	2
36	NS-031-15	Stop Nut 10-24 Hex (SST)	4
37	00-935876	Switch Assy. – Door	1
38	00-936248	Bracket – Small Actuator Shroud	1
39	NS-031-19	Stop Nut $\frac{1}{4}$ -20 Hex (SST)	1
40	WS-017-01	Washer	2
41	NS-036-19	Stop Nut $\frac{5}{16}$ -18 Hex (SST)	2
42	00-919703	Actuator – Rinse Pivot	1
43	00-936369	Pin – Pivot SLIC	1
44	00-919722	Bearing – IGUS	1
45	00-936250	Track – Support	1
46	SC-041-14	Cap Screw $\frac{3}{8}$ -16 x $1\frac{1}{8}$ Hex Hd. (SST)	1
47	SC-041-11	Cap Screw $\frac{5}{16}$ -18 x $\frac{3}{4}$ Hex Hd. (SST)	4
48	00-936176	Baffle – Load	1
49	00-936186	Baffle – Tank Separator	1
50	00-935968	Support – Tank	1



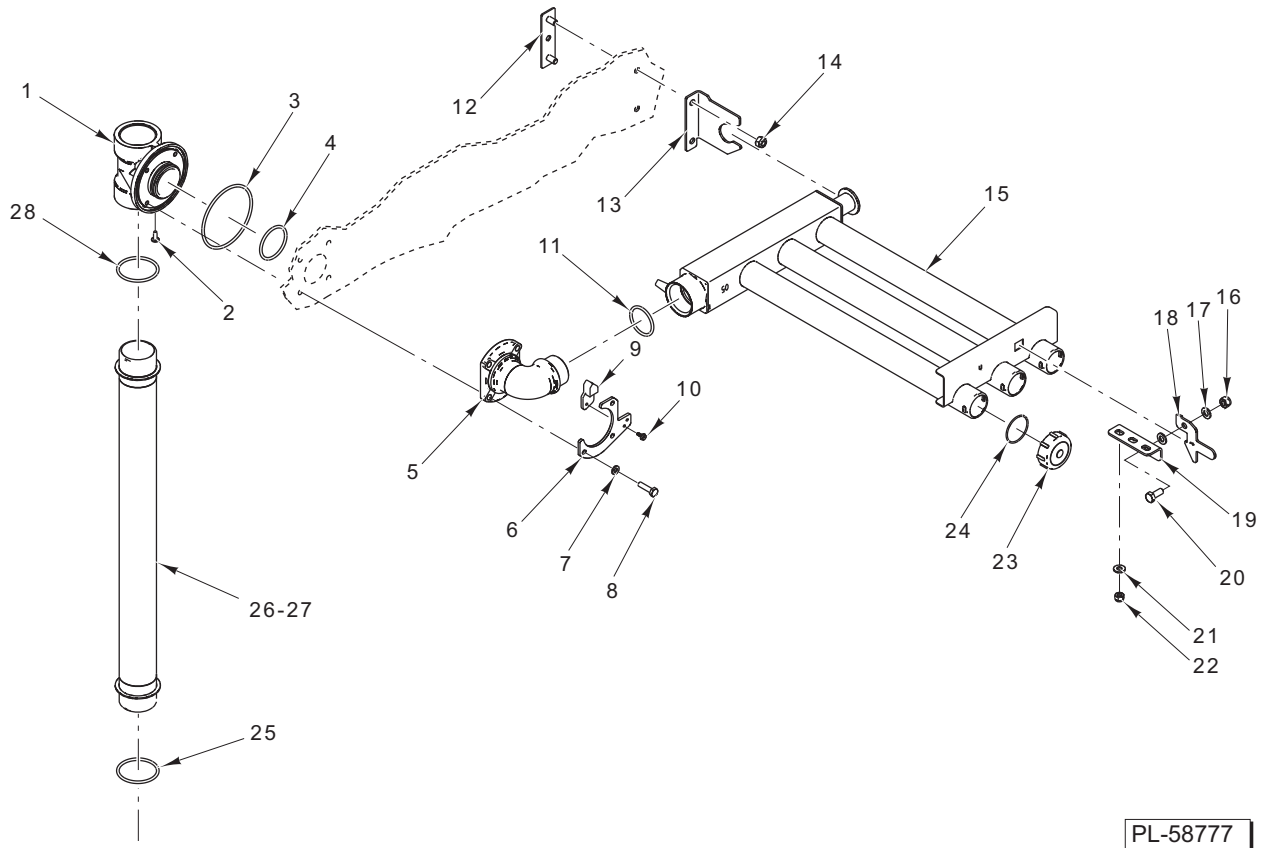
PL-58708

TRACK AND CRADLE (CLPS76e AND CLPS86e)

TRACK AND CRADLE (CLPS76e AND CLPS86e)

ILLUS. PL-58708	PART NO.	NAME OF PART	AMT.
*1	00-919835-00001	Rack – Track (22 In.) (Front L-R) (Rear R-L).....	1
2	NS-046-09	Stop Nut ³ / ₈ -16 (SST).....	1
3	-	Screw.....	AR
4	00-936307	Bracket – Push	1
5	SC-041-31	Cap Screw ³ / ₈ -16 x 1 ¹ / ₄ Hex Hd. (SST)	1
6	WS-018-04	Washer.....	1
7	00-436704-00002	Dog – Pin (Front L-R; Rear R-L).....	1
8	00-270983	Spacer – Cradle Dog.....	1
9	NS-046-09	Stop Nut ³ / ₈ -16 (SST).....	1
*10	00-919835-00002	Rack – Track (22 In.) (Front R-L) (Rear L-R).....	1
11	NS-036-19	Stop Nut ⁵ / ₁₆ -18 Hex (SST)	2
12	00-473231	Slide – Large Slider	1
13	SC-041-14	Cap Screw ⁵ / ₁₆ -18 x 1 ¹ / ₈ Hex Hd. (SST)	2
14	SC-041-31	Cap Screw ³ / ₈ -16 x 1 ¹ / ₄ Hex Hd. (SST)	1
15	WS-018-04	Washer.....	1
16	00-436704-00001	Dog – Pin (Front R-L; Rear L-R).....	1
17	00-270983	Spacer – Cradle Dog.....	1
18	00-919885	Cradle	1
19	00-936430	Baffle – Tank Separator	1
20	00-936317	Support – Tank.....	1

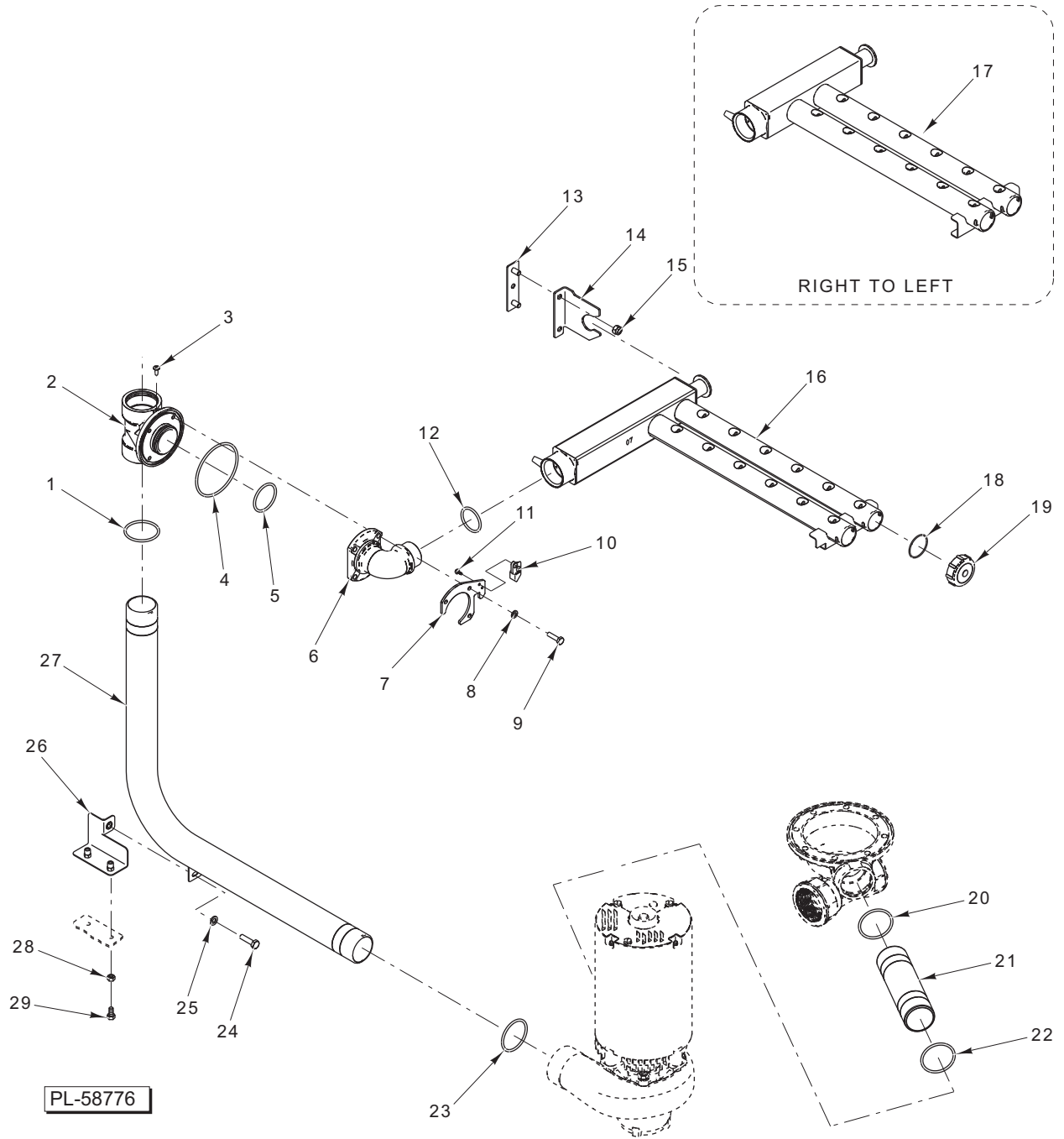
* Use with CL54e or CL64e track rack.



UPPER WASH ARM

UPPER WASH ARM

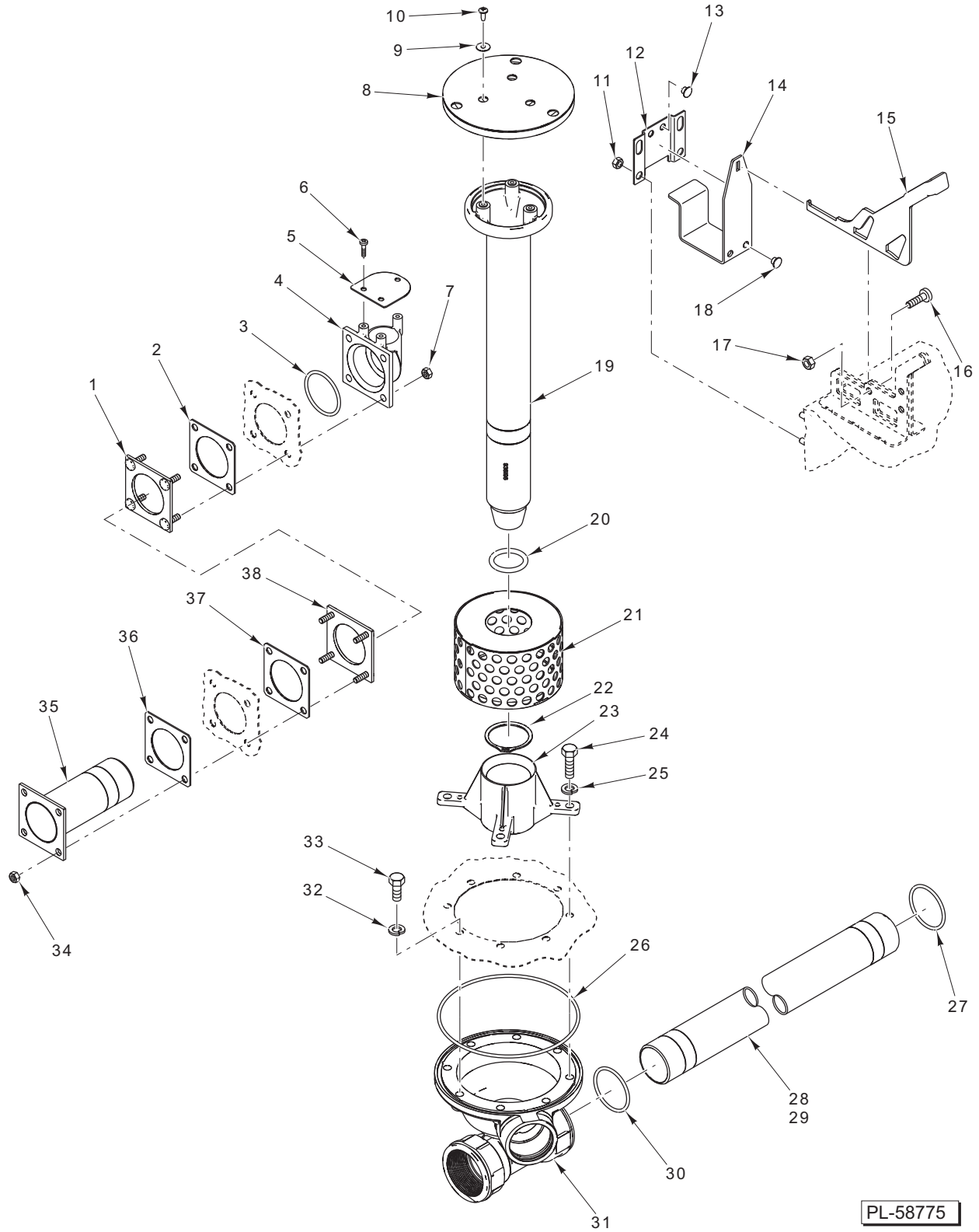
ILLUS.	PART NO.	NAME OF PART	AMT.
PL-58777			
1	00-919663-00001	Manifold – Elbow	1
2	SD-038-84	Self-Tapping Screw 10-24 x 1/2 Phil. Truss Hd., Type F (SST).....	1
3	00-067500-00132	O-Ring	1
4	00-067500-00019	O-Ring	1
5	00-919926	Manifold – Elbow	1
6	00-936168	Plate – Adjuster.....	1
7	WL-006-17	Lockwasher 1/4 Helical (SST).....	1
8	SC-109-47	Cap Screw 1/4-20 x 7/8 Hex Hd. (SST).....	4
9	00-936166	Block – Wear.....	1
10	00-893777-00001	Self-Tapping Screw 6-19 x 3/8 (Thread-Forming) (SST).....	2
11	00-067500-00014	O-Ring	1
12	00-936202	Plate – Mounting.....	1
13	00-919931	Bracket – Guide (Wash Arm).....	1
14	NS-036-19	Stop Nut 5/16-18 Hex (SST).....	2
15	00-936003	Arm – Wash (Upper)	1
16	NS-036-19	Stop Nut 5/16-18 Hex (SST).....	1
17	WS-017-08	Washer.....	2
18	00-919378	Latch.....	1
19	00-919379	Bracket – Latch.....	1
20	SC-041-11	Cap Screw 5/16-18 x 3/4 Hex Hd. (SST).....	1
21	WS-017-06	Washer.....	3
22	NS-031-19	Stop Nut 1/4-20 Hex (SST).....	3
23	00-919363	End Cap Assy. (Incls. Item 24).....	1
24	00-067500-00069	O-Ring	1
25	00-067500-00057	O-Ring	1
26	00-936020-00001	Tube – Feed (STD).....	1
27	00-936020-00002	Tube – Feed (HTS).....	1
28	00-067500-00057	O-Ring	1
	00-936222	Cam Plate Assy. (Incls. Items 6, 9, & 10).....	1



LOWER WASH ARM

LOWER WASH ARM

ILLUS. PL-58776	PART NO.	NAME OF PART	AMT.
1	00-067500-00057	O-Ring	1
2	00-919663-00002	Manifold – Tee.....	1
3	SD-038-84	Self-Tapping Screw 10-24 x 1/2 Phil. Truss Hd., Type F (SST).....	1
4	00-067500-00132	O-Ring	1
5	00-067500-00019	O-Ring	1
6	00-919926	Manifold – Elbow	1
7	00-936168	Plate – Adjuster.....	1
8	WL-006-17	Lockwasher 1/4 Helical (SST).....	4
9	SC-109-47	Cap Screw 1/4-20 x 7/8 Hex Hd. (SST).....	4
10	00-936166	Block – Wear.....	1
11	00-893777-00001	Self-Tapping Screw (Thread-Forming).....	2
12	00-67500-00014	O-Ring	1
13	00-936202	Plate – Mounting.....	1
14	00-919931	Bracket – Guide (Wash Arm).....	1
15	NS-036-19	Stop Nut 5/16-18 Hex (SST).....	2
16	00-936151	Arm – Wash (Lower) (L-R).....	1
17	00-935995	Arm – Wash (Lower) (R-L).....	1
18	00-067500-00069	O-Ring	1
19	00-919363	End Cap Assy. (Incls Item 18).....	1
20	00-067500-00057	O-Ring	1
21	00-919738-00003	Tube – Feed.....	1
22	00-067500-00057	O-Ring	1
23	00-067500-00057	O-Ring	1
24	SC-041-50	Cap Screw 1/4-20 x 1/2 Hex Hd. (SST).....	1
25	WL-006-17	Lockwasher 1/4 Helical (SST).....	1
26	00-936401-00001	Bracket – Wash Mount Assy.	1
27	00-935979	Tube – Feed.....	1
28	WL-006-17	Lockwasher 1/4 Helical (SST).....	2
29	SC-041-50	Cap Screw 1/4-20 x 1/2 Hex Hd. (SST).....	2
	00-936222	Cam Plate Assy. (Incls. Items 7, 10, & 11).....	1

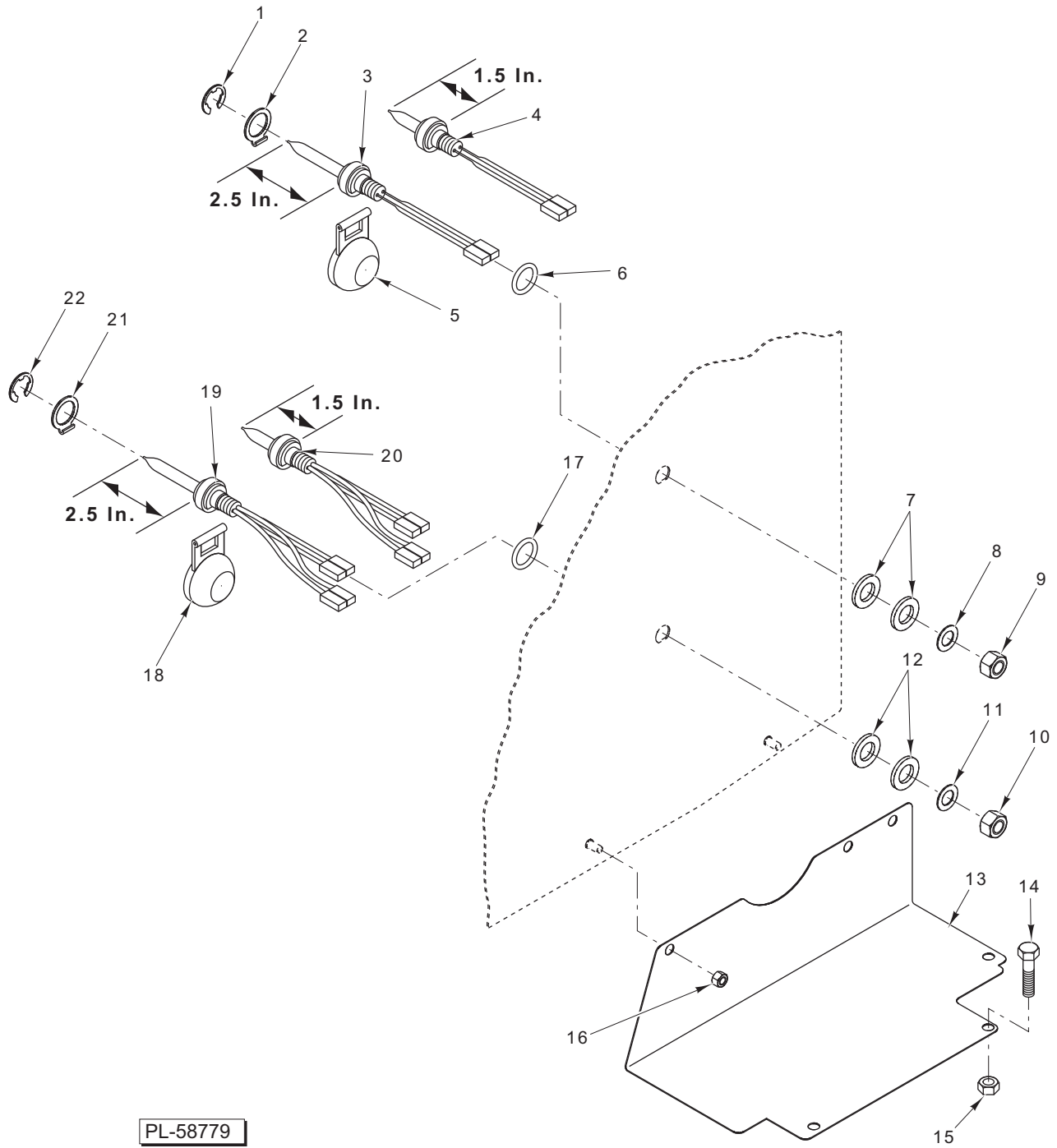


PL-58775

DRAIN AND FLOWBACK

DRAIN AND FLOWBACK

ILLUS.	PART NO.	NAME OF PART	AMT.
PL-58775			
1	00-919806	Plate – Flowback	1
2	00-120603	Gauge – Gasket Seal Retainer.....	1
3	00-067500-00057	O-Ring	1
4	00-919748	Flowback – Overflow	1
5	00-936137	Shield – Flowback.....	1
6	SD-038-84	Self-Tapping Screw 10-24 x 1/2 Phil. Truss Hd., Type F (SST).....	3
7	NS-031-19	Stop Nut 1/4-20 Hex (SST).....	4
8	00-935896	Cover – Standpipe	1
9	WS-017-06	Washer (SST)	3
10	SD-038-84	Self-Tapping Screw 10-24 x 1/2 Phil. Truss Hd., Type F (SST).....	3
11	NS-031-19	Stop Nut 1/4-20 Hex (SST).....	4
12	00-919790	Guide – Drain Lift.....	1
13	00-936372	Button – Drain Wear	2
14	00-936237	Lift – Standpipe.....	1
15	00-936236	Link – Drain Lift.....	1
16	SC-130-42	Shoulder Screw 5/16 Dia., 1/4-20 x 1/2 Hex Socket Hd. (SST)	2
17	NS-047-82	Stop Nut 1/4-20 Hex (SST).....	2
18	00-936372	Button – Drain Wear	2
19	00-936196	Tube – Overflow.....	1
20	00-067500-00120	O-Ring	1
21	00-936223	Strainer – Overflow	1
22	RR-012-37	Retaining Ring	1
23	00-936247	Guide – Standpipe	1
24	SC-041-11	Cap Screw 5/16-18 x 3/4 Hex Hd. (SST)	4
25	WL-017-08	Washer.....	4
26	00-067500-00136	O-Ring	1
27	00-067500-00057	O-Ring	1
28	00-919738-00004	Tube – Drain to Drain (CL66e & CL76e).....	1
29	00-919738-00006	Tube – Drain to Drain (CL86e).....	1
30	00-067500-00057	O-Ring	1
31	00-919725	Drain	1
32	WL-006-23	Lockwasher 5/16 Helical (SST).....	4
33	SC-041-10	Cap Screw 5/16-18 x 5/8 Hex Hd. (SST)	4
34	NS-031-19	Stop Nut 1/4-20 Hex (SST).....	4
35	00-919811	Tube – Flowback Weldment	1
36	00-120603	Gauge – Gasket Seal Retainer.....	1
37	00-120603	Gauge – Gasket Seal Retainer.....	1
38	00-919806	Plate – Flowback	1



SENSORS AND FLOATS

SENSORS AND FLOATS

ILLUS. PL-58779	PART NO.	NAME OF PART	AMT.
1	RR-010-13	Retaining Ring	1
2	00-112467	Retainer – Float	1
3	00-328495	Probe & Switch Assy. (2-Wire) (Long) (Incls. Items 1, 2, & 5) (Electric Only)	1
4	00-936547-00001	Probe & Switch Assy. (2-Wire) (Short) (Incls. Items 1, 2, & 5)	1
5	00-122674	Float – Assembly	1
6	00-067500-00072	O-Ring	1
7	WS-010-40	Washer	2
8	WL-014-31	Lockwasher 1/2 (SST)	1
9	NS-018-28	Jam Nut 1/2-20 (SST)	1
10	NS-018-28	Jam Nut 1/2-20 (SST)	1
11	WL-014-31	Lockwasher 1/2 (SST)	1
12	WS-010-40	Washer	2
13	00-935871	Panel – Bottom	1
14	SC-041-05	Cap Screw 1/4-20 x 5/8 Hex Hd. (SST)	2
15	NS-031-19	Stop Nut 1/2-20 Hex (SST)	2
16	NS-031-19	Stop Nut 1/4-20 Hex (SST)	2
17	00-067500-00072	O-Ring	1
18	00-122674	Float – Assembly	1
19	00-271621	Switch & Probe Assy. (4-Wire) (Long) (Incls. Items 18, 21, & 22) (Electric Only)	1
20	00-936547-00002	Switch & Probe Assy. (4-Wire) (Short) (Incls. Items 18, 21, & 22)	1
21	00-112467	Retainer – Float	1
22	RR-010-13	Retaining Ring	1

