



CATALOG OF REPLACEMENT PARTS

MODEL 2000 SERIES SLICER

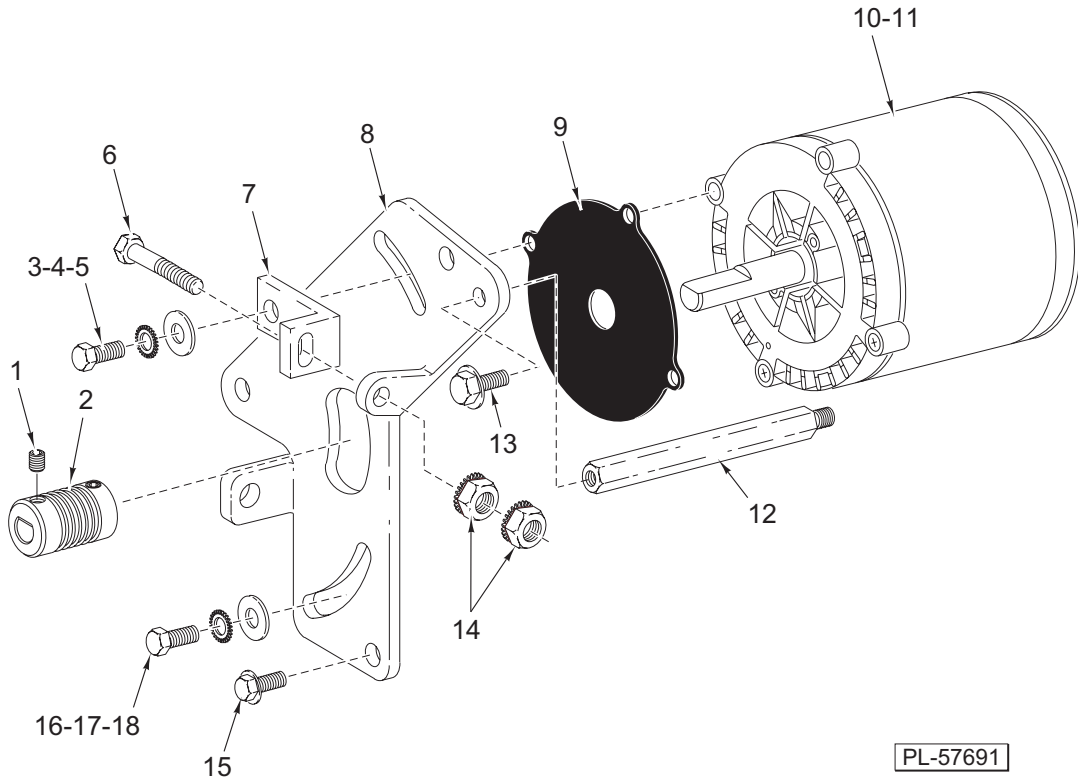


2612	ML-134231
2612C	ML-134233
2612GC	ML-136100
2612PHS	ML-134234
2712	ML-134235
2712C	ML-134237
2712PHS	ML-134238
2812	ML-134239
2812	ML-136110
2812PS	ML-134241
2812PS	ML-136114
2812ALB	ML-134243
2812C	ML-134244
2812CB	ML-136141
2912	ML-134245
2912	ML-136111
2912PS	ML-134247
2912C	ML-134248
2912B	ML-134251

TABLE OF CONTENTS

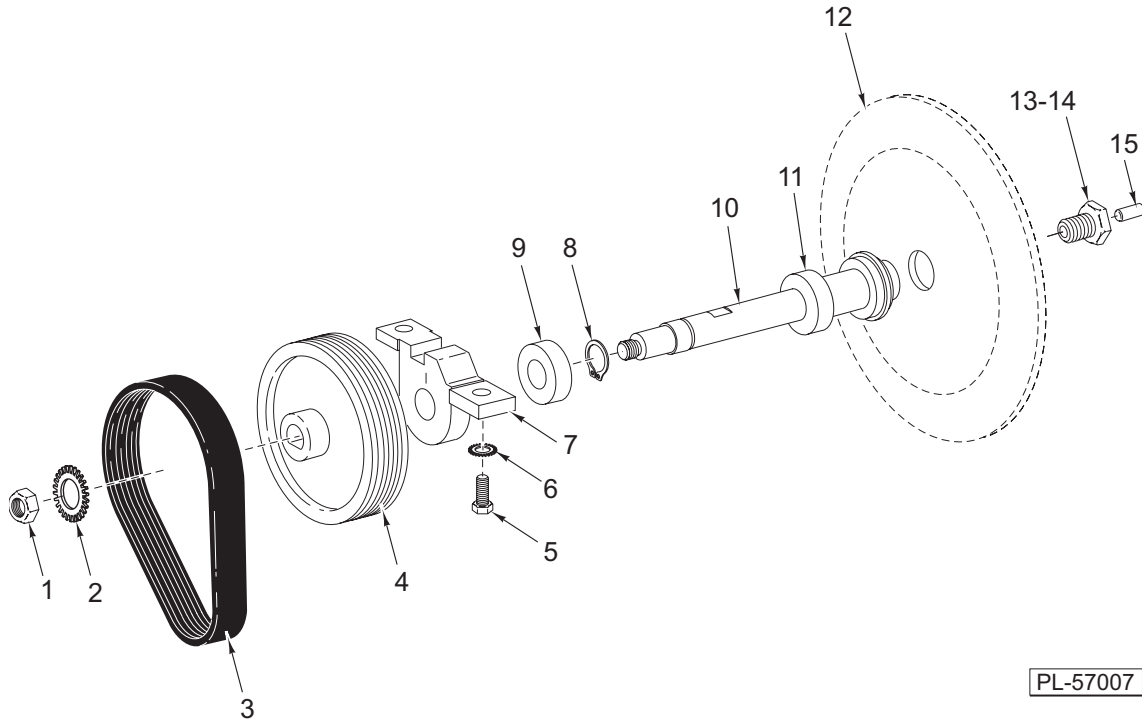
3 Knife Drive Motor Unit
 4 Knife Shaft Unit
 5 Top Cover and Lock Knob Unit
 7 Scale Assembly (2812PS, ML-134241 & ML-136114 & 2912PS, ML-134247)
 9 Display Tower Assembly (2812PS, ML-134241 & ML-136114)
 11 Carriage Tray Unit
 13 Gauge Plate and Index Unit
 15 Knife Sharpener Unit
 16 Electrical Unit
 19 Base Unit (2612 & 2812 Series)
 21 Base Unit (2712 & 2912 Series)
 23 Transport Carriage Unit (2612 & 2712 Series)
 25 Transport Carriage Unit (2812 & 2912 Series)
 27 Automatic Carrier Unit
 29 Automatic Base Unit
 31 Electrical Cover Assembly (2712 Series & 2912, ML-134245 & ML-134248)
 33 Electrical Cover Assembly (2912, ML-136111)
 35 Electrical Cover Assembly (2912B, ML-134251)
 37 Electrical Cover Assembly (2912PS, ML-134247)
 38 Wiring Harness (2712 Series)
 39 Wiring Harness (2812 & 2812PS Series)
 40 Wiring Harness (2912, ML-136111)
 41 Wiring Harness (2912B, ML-134251)
 42 Wiring Harness (2912, ML-134245 & 2912C, ML-134248)
 43 Wiring Harness (2912PS, ML-134247)

2612	ML-134231	2712	ML-134235	2812	ML-134239	2912	ML-134245
2612C	ML-134233	2712C	ML-134237	2812	ML-136110	2912	ML-136111
2612GC	ML-136100	2712PHS	ML-134238	2812PS	ML-134241	2912PS	ML-134247
2612PHS	ML-134234			2812PS	ML-136114	2912C	ML-134248
				2812ALB	ML-134243	2912B	ML-134251
				2812C	ML-134244		
				2812CB	ML-136141		



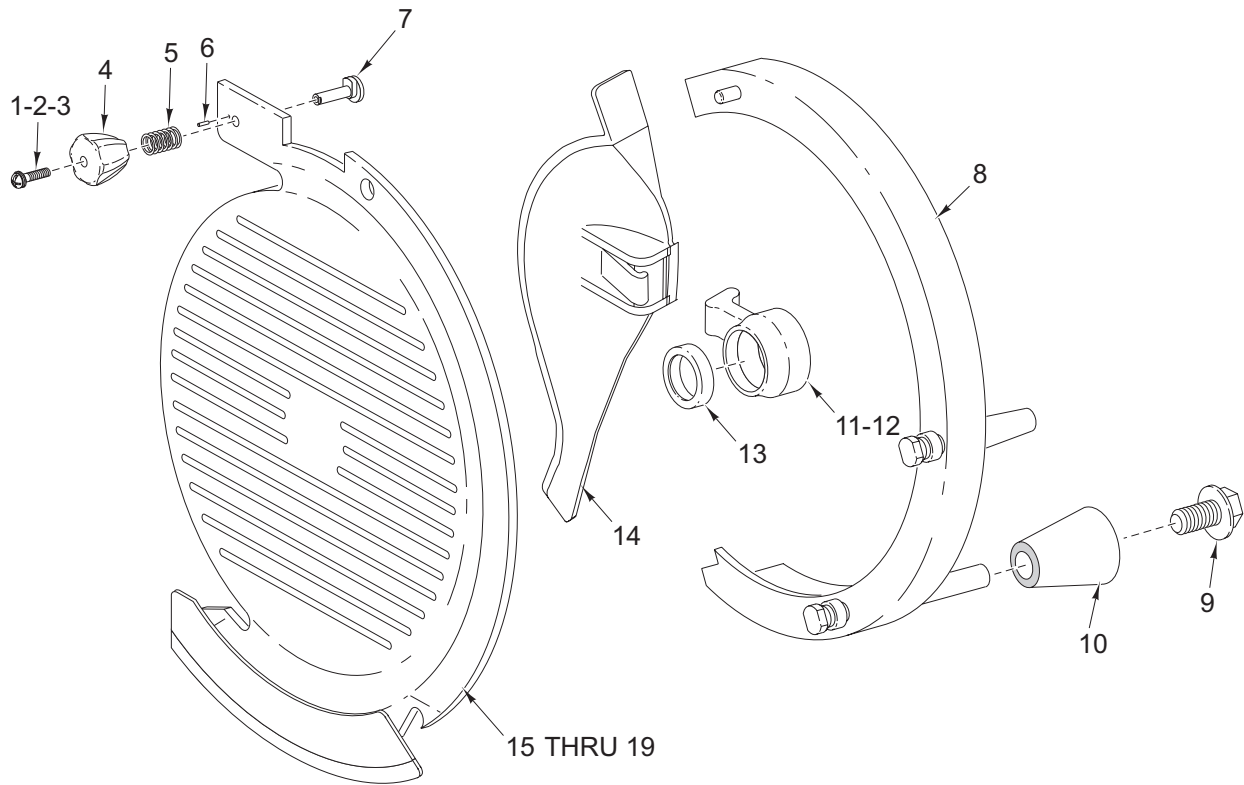
KNIFE DRIVE MOTOR UNIT

ILLUS.	PART NO.	NAME OF PART	AMT.
1	SC-123-65	Set Screw Special 1/4-28 x 3/8 Hdlis., Flat Pt.	2
2	00-438844-00002	Sheave – Poly "V"	1
3	SC-037-73	Cap Screw 3/8-16 x 1 Hex Hd.	2
4	WL-007-25	Lockwasher 3/8 External	2
5	WS-018-22	Washer	2
6	SC-118-98	Cap Screw 1/4-20 x 2 Hex Hd.	1
7	00-477532	Bracket – Tensioner Adjustment	1
8	00-477760	Plate – Motor	1
9	00-439032	Gasket – Motor	1
10	00-438846-00001	Motor (60 Hz.) (115/230 V.)	1
11	00-438846-00002	Motor (50 Hz.) (115/230 V.)	1
12	00-438984	Standoff	1
13	SC-041-01	Cap Screw 1/4-20 x 3/4 Hex Hd. (SST)	1
14	NS-044-14	Nut 1/4-20 Hex KEPS	2
15	SD-038-18	Self-Tapping Screw 3/16-18 x 3/4 Hex Washer Hd., Type RL	3
16	SC-037-73	Cap Screw 3/8-16 x 1 Hex Hd.	1
17	WL-007-25	Lockwasher 3/8 External	1
18	WS-018-22	Washer	1



KNIFE SHAFT UNIT

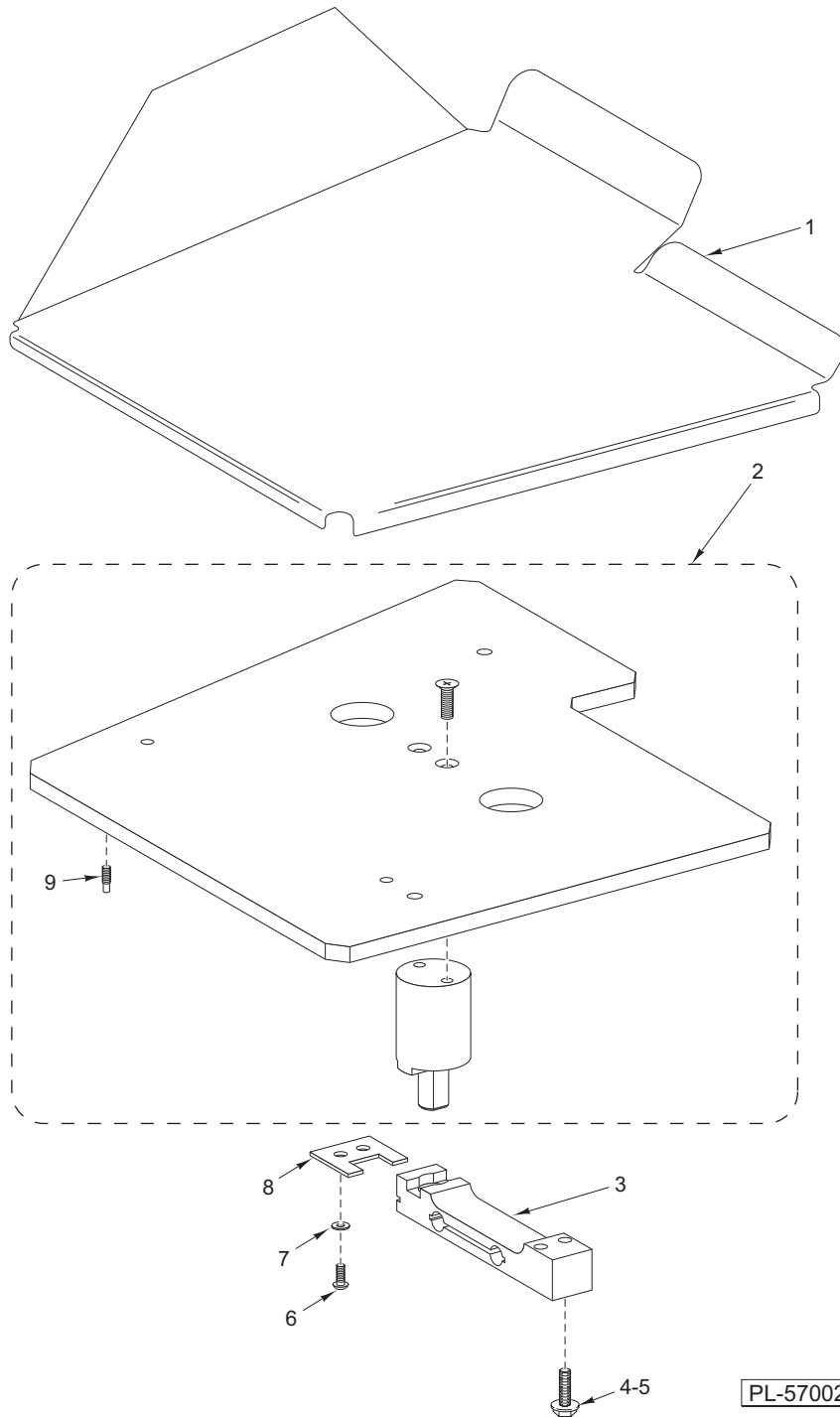
ILLUS.	PART NO.	NAME OF PART	AMT.
PL-57007			
1	NS-017-41	Jam Nut ⁵ / ₈ -18 Hex.....	1
2	WL-004-17	Lockwasher ⁵ / ₈ Light.....	1
3	00-438845	Belt – Poly “V”.....	1
4	00-439049	Sheave – Poly “V” Large 6 Groove.....	1
5	SC-037-73	Cap Screw ³ / ₈ -16 x 1 Hex Hd.	2
6	WL-007-25	Lockwasher ³ / ₈ External.....	2
7	00-875180-00002	Retainer – Lower Hub & Bearing (Incls. Item 9).....	1
8	RR-009-07	Ring – Retaining.....	1
9	BB-015-08	Bearing – Ball.....	1
10	00-438915-00002	Shaft – Knife.....	1
11	BB-015-08	Ball Bearing.....	1
12	00-439870-00005	Knife (Packaged).....	1
13	00-073356-00002	Screw – Knife (Incls. Items 14 & 15).....	1
14	SC-064-04	Set Screw ¹ / ₄ -28 x ³ / ₈ Hdls., Flat Pt. Nylok.....	1
15	00-073265	Plug – Plate Thrust.....	1



PL-57698

TOP COVER AND LOCK KNOB UNIT

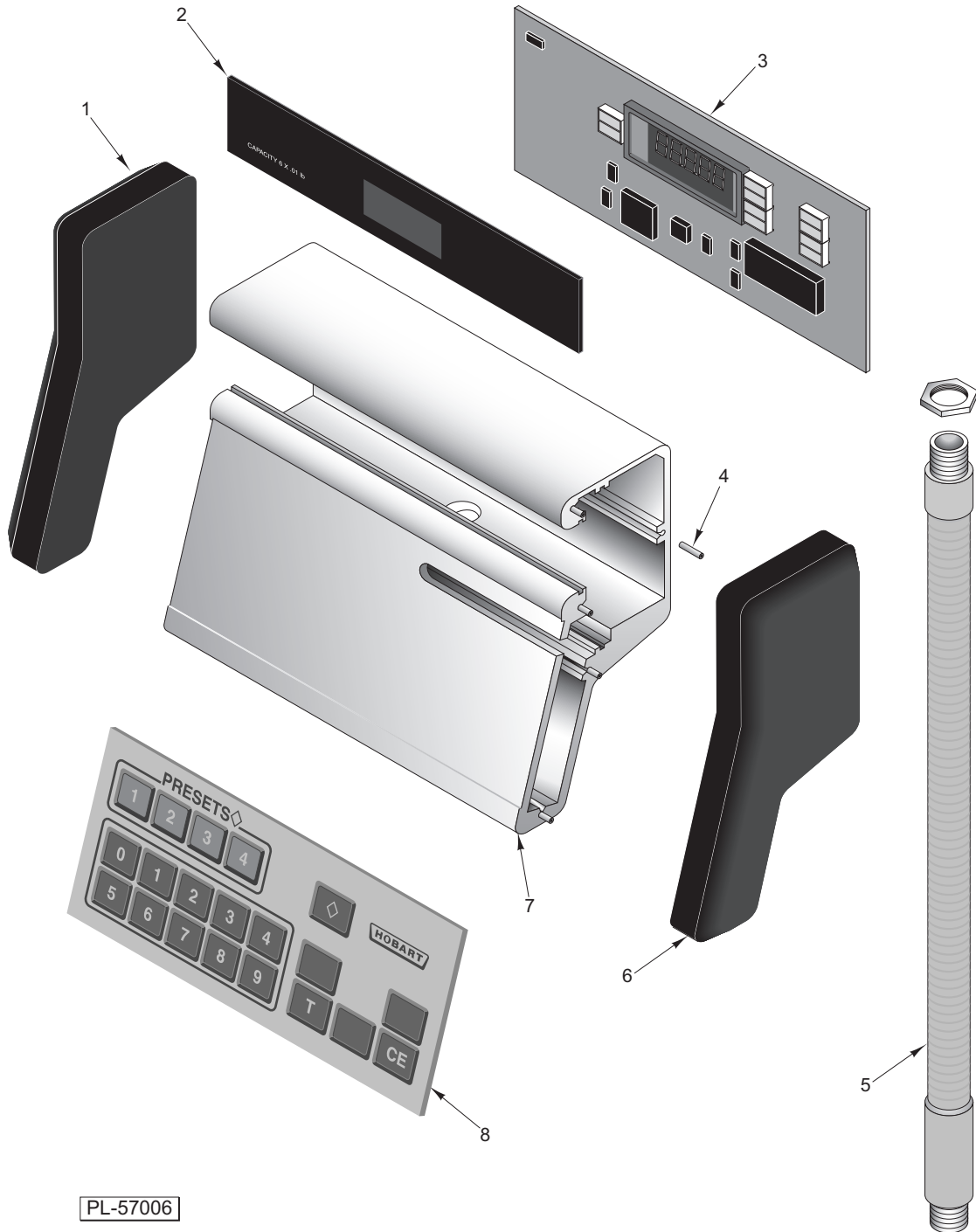
ILLUS.	PART NO.	NAME OF PART	AMT.
	PL-57698		
1	SC-126-35	Mach. Screw 4-40 x 5/8 Hex Hd. (2612PHS & 2712PHS)	1
2	SC-122-53	Mach. Screw 4-40 x 5/8 Phil. Pan Hd.	1
3	WL-013-02	Lockwasher #4 Internal Shakeproof	1
4	00-875266	Knob – Locking Top Cover	1
5	00-437994	Spring – Top Cover	1
6	PG-011-30	Pin – Grooved (3/32) (SST)	1
7	00-875265	Stud – Locking Top Cover	1
8	00-438920-00003	Guard Assy. – Knife Ring	1
9	SD-038-14	Self-Tapping Screw 1/4-20 x 7/8 Hex Washer Hd., Type RL	2
10	00-875341	Ferrule – Ring Guard	2
11	00-875340	Mount – Deflector	1
12	SD-038-19	Self-Tapping Screw 8-18 x 3/8 Hex Washer Hd.	3
13	00-875343	Knife Shaft Ring	1
14	00-875355	Deflector – Product	1
15	00-873784	Cover – Top & Lock Knob Assy. (2612PHS & 2712PHS) (Incls. Items 1 & 3 thru 7)	1
16	00-479740	Cover – Top & Lock Knob Assy. (All Except 2812CB, 2812ALB, ML-136110, ML-136111, & ML-136114) (Incls. Items 2 thru 7)	1
17	00-479739	Cover – Top & Lock Knob Assy. (2812ALB) (Incls. Items 2 thru 7)	1
18	00-914216	Cover – Top & Lock Knob Assy. (ML-136110, ML-136111, & ML-136114) (Incls. Items 2 thru 7) (Packaged)	1
19	00-873830-00002	Cover – Top & Lock Knob Assy. (2812CB) (Incls. Items 2 thru 7)	1



SCALE ASSEMBLY
(2812PS, ML-134241 & ML-136114 & 2912PS, ML-134247)

SCALE ASSEMBLY
(2812PS, ML-134241 & ML-136114 & 2912PS, ML-134247)

ILLUS.	PART NO.	NAME OF PART	AMT.
PL-57002			
1	00-477517	Platter Assy.	1
2	00-477662	Platter – Support Assy. (Incls. Item 9).....	1
3	00-873267	Load Cell.....	1
4	SC-041-06	Cap Screw 1/4-20 x 1 1/4 Hex Hd.	2
5	WL-013-14	Lockwasher 1/4 Internal Shakeproof.....	2
6	SC-093-04	Mach. Screw 8-32 x 1/2 Phil. Pan Hd. (SST).....	2
7	WL-013-08	Lockwasher #8 Internal Shakeproof.....	2
8	00-477684	Plate – Load Cell	1
9	00-479093	Set Screw (Machined)	2

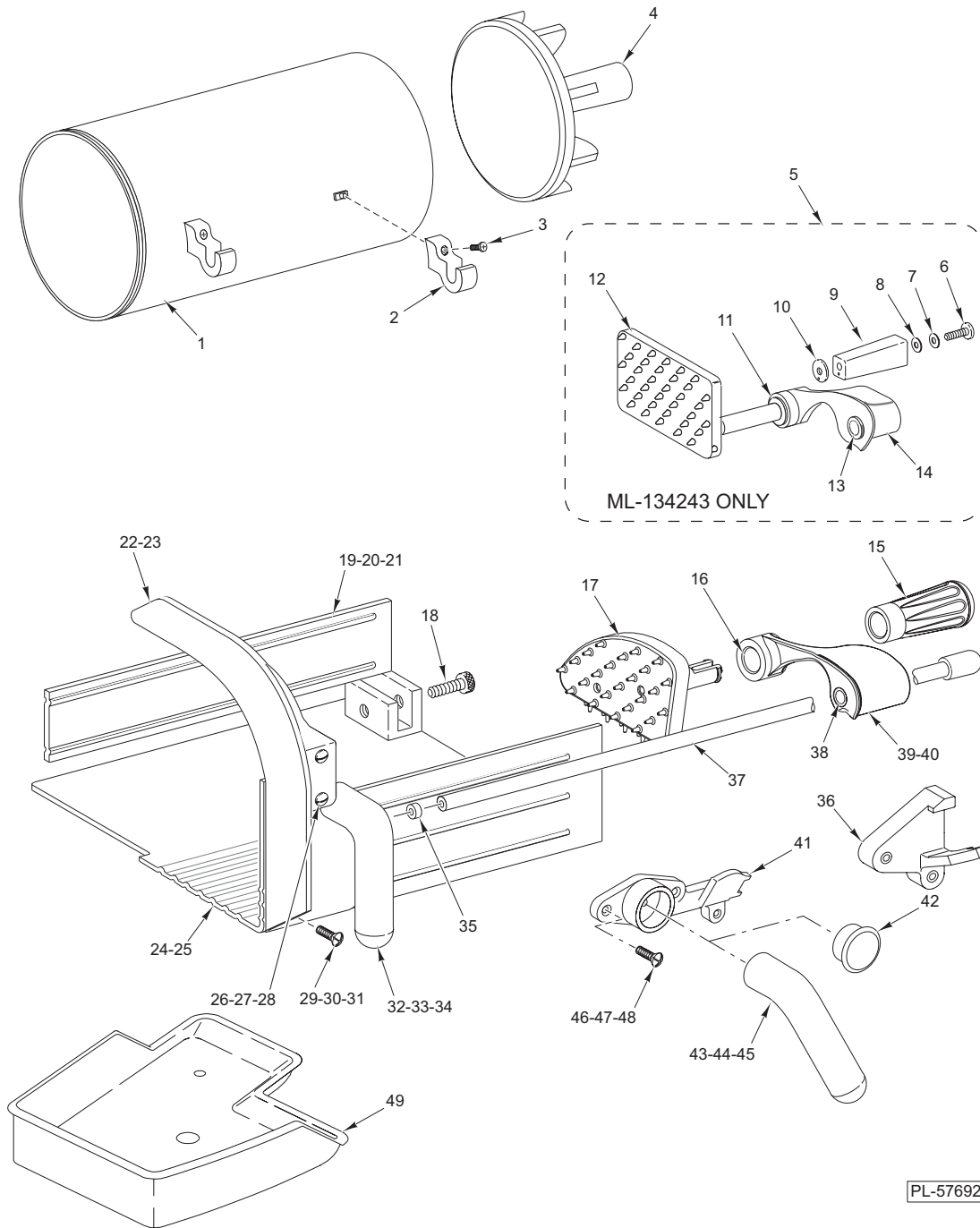


**DISPLAY TOWER ASSEMBLY
(2812PS, ML-134241 & ML-136114)**

**DISPLAY TOWER ASSEMBLY
(2812PS, ML-134241 & ML-136114)**

ILLUS. PL-57006	PART NO.	NAME OF PART	AMT.
1	00-875362	Cap – Left Display End	1
2	00-477803	Filter – Display	1
3	00-477225	Display – PCB Assy.	1
4	SC-124-76	Set Screw 6-32 x 1/2 Hdls., Cup Pt.	10
5	00-477568	Arm – Flex	1
6	00-875363	Cap – Right Display End.....	1
7	00-477368	Housing.....	1
8	00-439058	Keypad – Slicer.....	1

MODEL 2000 SERIES SLICER REPLACEMENT PARTS



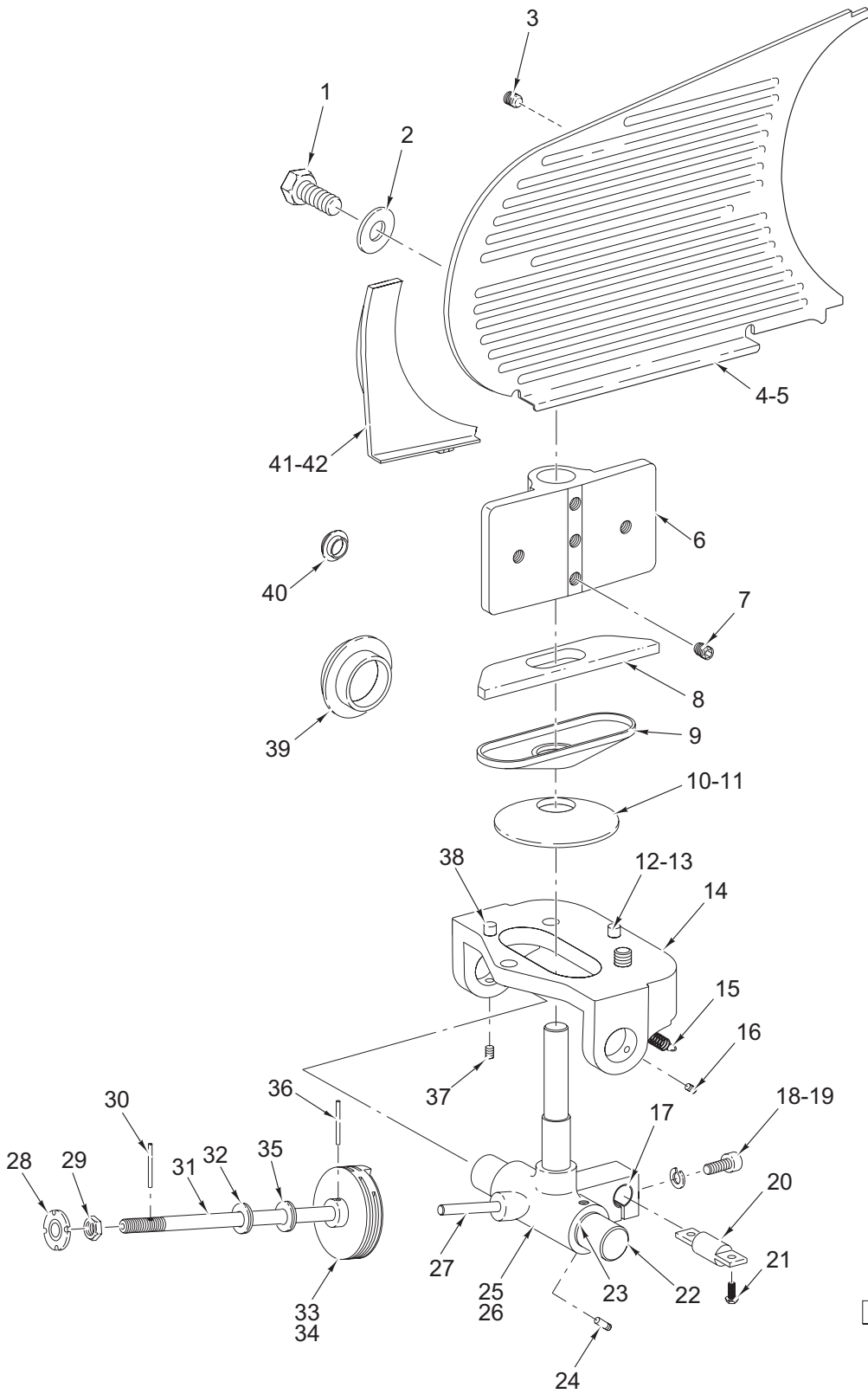
PL-57692

2612	ML-134231	2712	ML-134235	2812	ML-134239	2912	ML-134245
2612C	ML-134233	2712C	ML-134237	2812	ML-136110	2912	ML-136111
2612GC	ML-136100	2712PHS	ML-134238	2812PS	ML-134241	2912PS	ML-134247
2612PHS	ML-134234			2812PS	ML-136114	2912C	ML-134248
				2812ALB	ML-134243	2912B	ML-134251
				2812C	ML-134244		
				2812CB	ML-136141		

CARRIAGE TRAY UNIT

CARRIAGE TRAY UNIT

ILLUS.	PART NO.	NAME OF PART	AMT.
	PL-57692		
1	00-479687	Chute – Feed (All Except 2812ALB) (Incls. Items 2 & 3).....	1
2	00-875365	Hanger – Chute (All Except 2812ALB)	2
3	SC-124-41	Mach. Screw Special 8-32 x 3/8 Phil. Oval Hd. (All Except 2812ALB).....	2
4	00-075945	Pusher Assy. – Plate	1
5	00-437912-00002	Heavy Meat Assy. (2812ALB) (Incls. Items 6 thru 14)	1
6	SC-124-67	Mach. Screw 10-24 x 1/2 Slotted Truss Hd. (2812ALB).....	1
7	00-070345	Washer – Handle Retaining (2812ALB).....	1
8	00-070344	Washer – Handle Tension (2812ALB).....	1
9	00-070202	Handle – Meat Grip (Non-Metallic) (2812ALB).....	1
10	00-437006	Washer – Handle (2812ALB).....	1
11	00-438280	Bushing (2812ALB).....	1
12	00-437908	Meat Grip Heavy Subassy. (2812ALB)	1
13	00-478254	Bushing (2812ALB).....	2
14	00-479544-00003	Feed Arm Assy. (Alum.) (2812ALB)	1
15	00-875320	Handle – Feed Grip Assy. (All Except 2812ALB).....	1
16	00-479463	Washer – Wavy (All Except 2812ALB).....	1
17	00-875304	Grip – Product (All Except 2812ALB)	1
18	00-290984	Thumb Screw – Fence (All Except 2812ALB)	1
19	00-295118	Low Fence Assy. (Packaged) (SST) (All Except 2812ALB, ML-134243, 2812, ML-136110, & 2812PS, ML-136114).....	1
20	00-914218	Low Fence Assy. (2812, ML-136110 & 2812PS, ML-136114)	1
21	00-295117	High Fence Assy. (SST) (All Except 2812ALB).....	1
22	00-875360-00001	Support Handle & Slide Rod (All Except 2812ALB).....	1
23	00-875360-00002	Support (2812ALB).....	1
24	00-873710	Carriage Tray (SST) (All Except ML-136110, ML-136111, & ML-136114)	1
25	00-875646-00002	Carriage Tray (2812, ML-136110, 2812PS, ML-136114, & 2912, ML-136111).....	1
26	SC-126-28	Mach. Screw 8-32 x 1 1/2 Hex Hd. (2612PHS & 2712PHS)	2
27	SC-123-10	Mach. Screw Special 8-32 x 1 1/2 Phil. Oval Hd.	2
28	SC-124-78	Mach. Screw 8-32 x 1 1/2 Hex Flat Hd. (SST) (2612C, 2712C, 2812C, & 2912C)	2
29	SC-126-27	Mach. Screw 8-32 x 3/8 Hex Hd. (2612PHS & 2712PHS).....	3
30	SC-123-09	Mach. Screw Special 8-32 x 3/8 Phil. Oval Hd.	3
31	SC-124-77	Mach. Screw 8-32 x 3/8 Hex Flat Hd. (SST) (2612C, 2712C, 2812C, & 2912C).....	3
32	00-875345	Handle – Carriage.....	1
33	WS-022-02	Washer.....	1
34	SC-041-02	Cap Screw 1/4-20 x 1 Hex Hd.	1
35	WS-021-19	Washer.....	1
36	00-914241	Hanger – Meat Grip (MicroBan).....	1
37	00-875354	Knob & Slide Rod Assy.	1
38	00-478254	Bushing.....	2
39	00-479544	Feed Arm Assy. (SST) (2912B).....	1
40	00-479544-00003	Feed Arm Assy. (Alum.) (All Except 2912B).....	1
41	00-875357	Hanger – Meat Grip	1
42	00-875350	Meat Grip Hanger Cap.....	1
43	00-875345	Handle – Carriage.....	1
44	WS-022-02	Washer.....	1
45	SC-041-02	Cap Screw 1/4-20 x 1 Hex Hd.	1
46	SC-126-27	Mach. Screw 8-32 x 3/8 Hex Hd. (2612PHS & 2712PHS).....	3
47	SC-123-09	Mach. Screw Special 8-32 x 3/8 Phil. Oval Hd.	3
48	SC-124-77	Mach. Screw 8-32 x 3/8 Hex Flat Hd. (SST) (2612C, 2712C, 2812C, & 2912C).....	3
49	00-873480	Box – Slaw.....	1

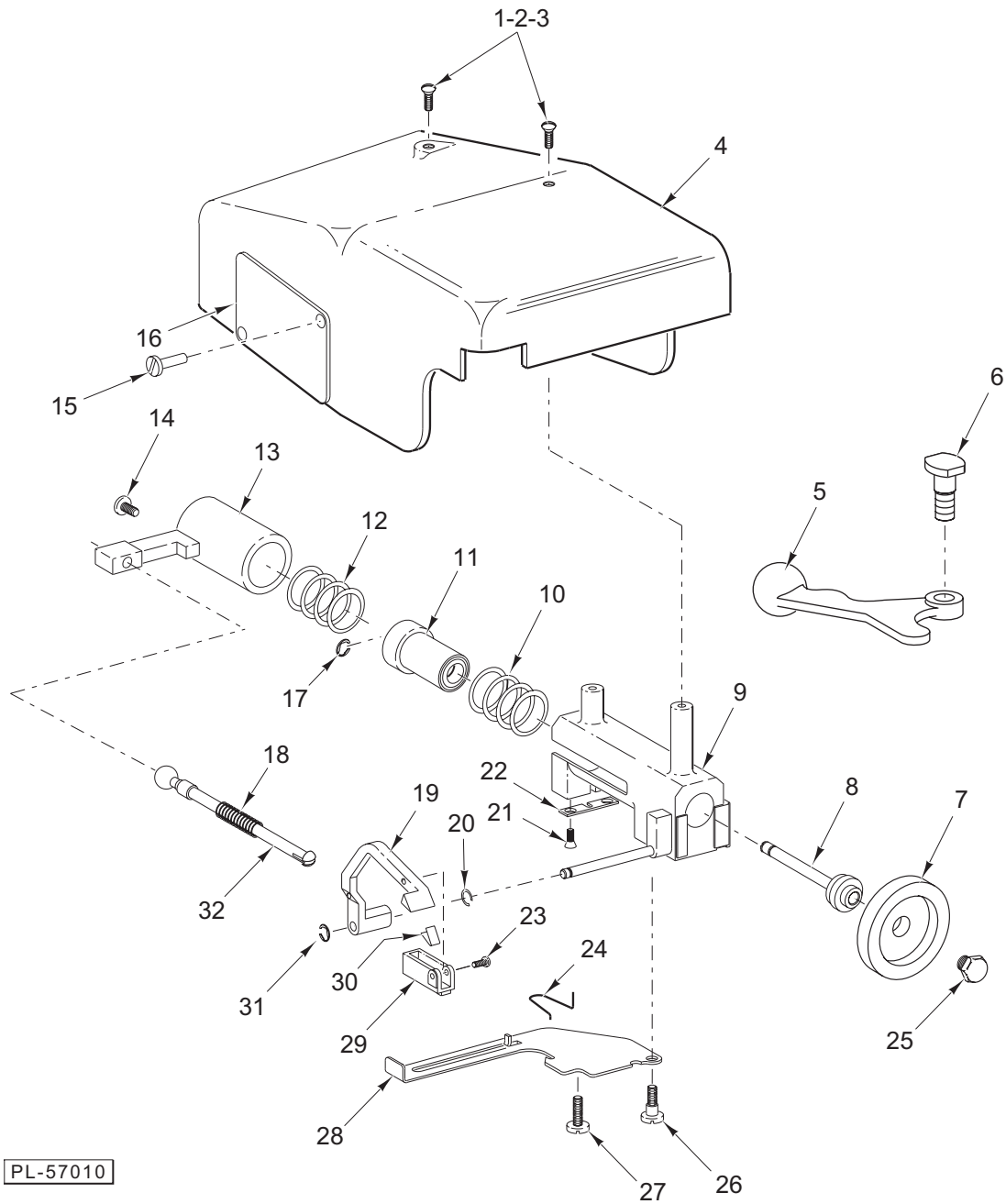


PL-57693

GAUGE PLATE AND INDEX UNIT

GAUGE PLATE AND INDEX UNIT

ILLUS.	PART NO.	NAME OF PART	AMT.
	PL-57693		
1	SC-041-16	Cap Screw ⁵ / ₁₆ -18 x 1 ³ / ₈ Hex Hd. (SST).....	2
2	WS-005-32	Washer.....	2
3	SC-123-52	Set Screw ⁵ / ₁₆ -24 x ⁵ / ₈ Hdls., Flat Pt.	4
4	00-438980	Gauge Plate Assy. (All Except 2812, ML-136110, 2812PS, ML-136114, & 2912, ML-136111).....	1
5	00-438980-00002	Gauge Plate Assy. (2812, ML-136110, 2812PS, ML-136114, & 2912, ML-136111).....	1
6	00-439021-00002	Mount – Special.....	1
7	SC-124-11	Set Screw ⁵ / ₁₆ -24 x ⁵ / ₈ Hdls., Cone Pt.	3
8	00-875352	Cover – Gauge Plate (Bottom).....	1
9	00-875364	Retainer – Cover.....	1
10	00-875361	Disc – Cover (All Except 2612GC).....	1
11	00-914123	Disc – Cover (2612GC).....	1
12	SD-038-13	Self-Tapping Screw ⁵ / ₁₆ -18 x ⁷ / ₈ Hex Washer Hd., Type RL.....	3
13	WL-007-20	Lockwasher ⁵ / ₁₆ External Shakeproof.....	3
14	00-439072-00003	Support – Slide Index (Incls. Items 16, 37, & 38) (Order With Item 20).....	1
15	00-478432	Spring – Index Backlash.....	1
16	PG-011-38	Pin – Grooved ⁵ / ₃₂ x ¹⁹ / ₃₂ (SST).....	1
17	00-478425	Bushing – Anti-Rotation Rod.....	1
18	SC-124-46	Cap Screw 10-24 x ³ / ₄ Soc. Hd.	3
19	WL-008-13	Lockwasher #10 Internal Shakeproof.....	3
20	00-478415	Rod – Index Anti-Rotation.....	1
21	SD-038-14	Self-Tapping Screw ¹ / ₄ -20 x ⁷ / ₈ Hex Washer Hd., Type RL.....	2
22	00-438886	Rod – Index Slide.....	1
23	00-478426	Bushing – Index Slide.....	2
24	PG-011-19	Pin – Grooved ⁵ / ₃₂ x ¹ / ₂ (SST).....	1
25	00-478416-00002	Slide – Index Mechanism (All Except 2612GC) (Incls. Items 17, 18, 19, 23, 24, & 27).....	1
26	00-478416-00003	Slide – Index Mechanism (2612GC) (Incls. Items 17, 18, 19, 23, 24, & 27).....	1
27	00-478461	Pin – Index Cam.....	1
28	00-076948	Disc – Indexing Drive.....	1
29	00-010928-00002	Nut – Special.....	2
30	RP-002-40	Pin – Roll ³ / ₃₂ Dia. x ³ / ₄ Lg.	1
31	00-438890	Camshaft.....	1
32	00-088298	Washer – Belleville.....	2
33	00-479625	Cam – Indexing (All Except 2612GC).....	1
34	00-914122	Cam – Indexing (2612GC).....	1
35	WS-030-58	Washer.....	2
36	RP-003-12	Pin – Roll ¹ / ₈ Dia. x 1 ¹ / ₄ Lg.....	1
37	SC-088-71	Set Screw 8-32 x ³ / ₈ Hdls., Flat Pt.....	2
38	00-011800-00305	Pin – Dowel ¹ / ₄ x ³ / ₄	1
39	00-875373	Plug – Hole (Large).....	2
40	00-875375	Plug – Hole (Small).....	2
41	00-479499	Deflector – Fluid (Silicone) (2912B).....	1
42	00-914132	Deflector – Fluid (Pre-Drilled) (MicroBan).....	1
	SC-129-13	Mach. Screw 6-32 x ¹ / ₄ Phil. Flat Hd. (SST).....	1
	00-914196	Template – Fluid Deflector.....	1



PL-57010

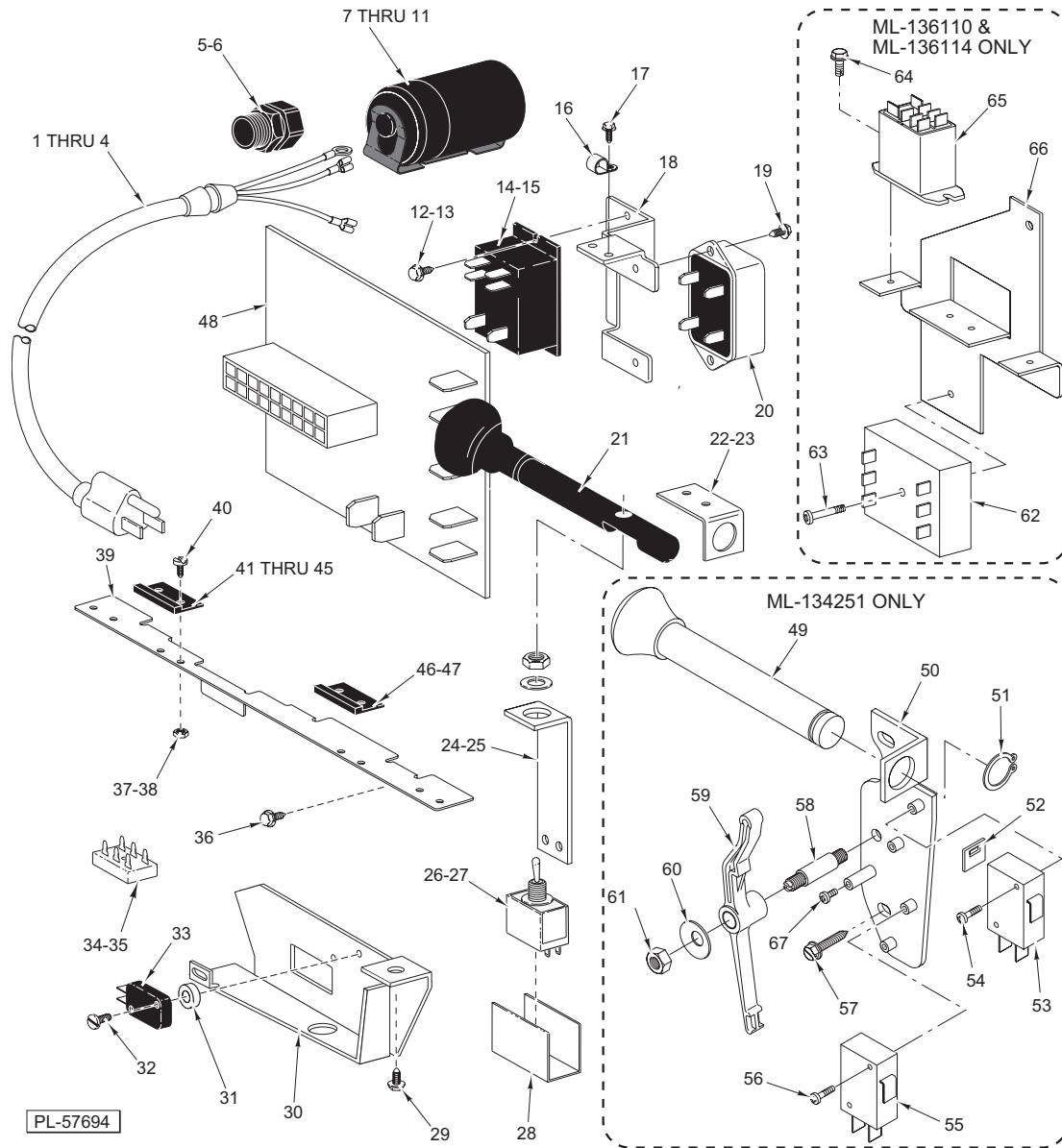
2612	ML-134231	2712	ML-134235	2812	ML-134239	2912	ML-134245
2612C	ML-134233	2712C	ML-134237	2812	ML-136110	2912	ML-136111
2612GC	ML-136100	2712PHS	ML-134238	2812PS	ML-134241	2912PS	ML-134247
2612PHS	ML-134234			2812PS	ML-136114	2912C	ML-134248
				2812ALB	ML-134243	2912B	ML-134251
				2812C	ML-134244		
				2812CB	ML-136141		

KNIFE SHARPENER UNIT

KNIFE SHARPENER UNIT

ILLUS.	PART NO.	NAME OF PART	AMT.
PL-57010			
1	SC-067-06	Mach. Screw 10-24 x 1/2 Hex Hd. (2612PHS & 2712PHS).....	2
2	SC-129-63	Mach. Screw 10-24 x 1/2 Phil. Truss Hd. Nylok (SST).....	2
3	SC-129-74	Mach. Screw 10-24 x 1/2 Tx. Button Hd. (2612C, 2712C, 2812C, & 2912C) (SST).....	2
4	00-438459-00001	Plate & Cover Assy.	1
5	00-875359	Handle – Sharpener Cam.....	1
6	00-479953	Screw – Shoulder 1/4 - 20.....	1
7	00-439691	Stone Service Kit.....	1
8	00-873848	Shaft – Grinding Wheel.....	1
9	00-873852	Housing & Stud Assy.....	1
10	00-438437	Spring – Return.....	1
11	00-873851	Plunger & Ball Bearing Assy.	1
12	00-875531	Spring – Main.....	1
13	00-875339	Actuator	1
14	SC-122-87	Mach. Screw Special 8-32 x 1/4 Pan Hd.....	1
15	00-121676-00002	Self-Tapping Screw 4 x 1/4 Truss Hd. (SST).....	2
16	00-437239	Label – Instruction	1
17	RR-006-22	Ring – Retaining	1
18	00-438426	Spring – Truing Arm.....	1
19	00-875367	Arm – Truing	1
20	00-479527	Washer – Spring Crescent.....	1
21	SC-122-85	Mach. Screw Special 4-40 x 1/4 Flat Hd.	2
22	00-439700	Plate – Rear Locking	1
23	SC-122-84	Mach. Screw Special 2-56 x 9/16 Pan Hd.....	1
24	00-438435	U-Spring (Long End Inserted Into Housing).....	1
25	00-435814	Screw – Retaining (RH).....	1
26	00-438442	Screw – Shoulder Special.....	1
27	SC-122-87	Mach. Screw Special 8-32 x 1/4 Pan Hd.....	1
28	00-439698	Lever – Locking	1
29	00-478747	Stone – Truing	1
30	00-435324	Spring – Truing Stone.....	2
31	RR-006-22	Ring – Retaining	1
32	00-875368	Push Rod – Truing.....	1
	00-873847-00001	Sharpener Assy. (Incls. Items 2 & 4 thru 32) (2612, 2712, 2812, 2812ALB, 2812CB, 2812PS, 2912, 2912B, & 2912PS).....	1
	00-873847-00003	Sharpener Assy. (Incls. Items 1 & 4 thru 32) (2612PHS & 2712PHS).....	1
	00-873847-00004	Sharpener Assy. (Incls. Items 3 thru 32) (2612C, 2712C, 2812C, & 2912C).....	1
	00-875046	Sharpener Assy. (No Stones) (Cosmetic) (Incls. Items 3, 4, 9, 14, 21, 22, 26, 27, & 28) (2612C, 2712C, 2812C, & 2912C).....	1

MODEL 2000 SERIES SLICER REPLACEMENT PARTS



2612	ML-134231	2712	ML-134235	2812	ML-134239	2912	ML-134245
2612C	ML-134233	2712C	ML-134237	2812	ML-136110	2912	ML-136111
2612GC	ML-136100	2712PHS	ML-134238	2812PS	ML-134241	2912PS	ML-134247
2612PHS	ML-134234			2812PS	ML-136114	2912C	ML-134248
				2812ALB	ML-134243	2912B	ML-134251
				2812C	ML-134244		
				2812CB	ML-136141		

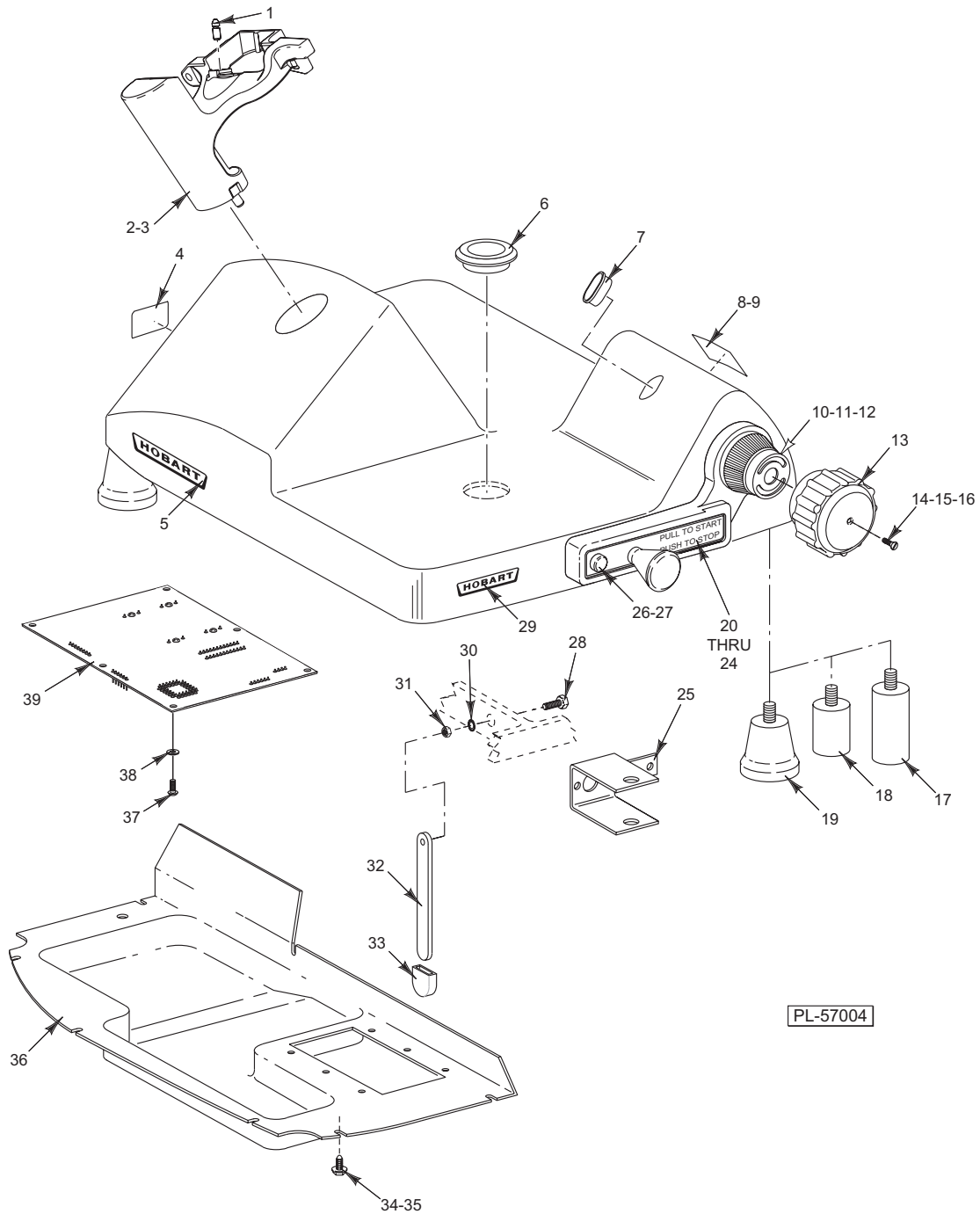
ELECTRICAL UNIT

ILLUS.	PART NO.	NAME OF PART	AMT.
PL-57694			
1	00-117542-00095	Cord & Plug Assy. (100/120 V.).....	1
2	00-117542-00096	Cord & Plug Assy. (240 V.).....	1
3	00-117542-00039	Cord (I.E.C.).....	1
4	SD-015-41	Self-Tapping Screw 8-32 x 1/2 Phil. Pan Hd., Type TT	1
5	FE-021-21	Strain Relief (Use With Items 1 & 3)	1
6	WL-010-01	Washer (Use With Items 1 & 3)	1
7	00-070486-00001	End Cap – Capacitor	1
8	00-070487-00026	Capacitor – Motor Start.....	1
9	00-066621-00001	Bracket – Capacitor	1

ELECTRICAL UNIT (CONT.)

ILLUS. PL-57694	PART NO.	NAME OF PART	AMT.
10	00-875582	Spacer (2712C)	1
11	SD-039-25	Self-Tapping Screw 10-24 x 3/4 Phil. Flat Hd., Type TT (2712C).....	1
12	SD-038-16	Self-Tapping Screw 6-32 x 3/8 Hex Washer Hd., Type RL (2612 Series)	2
13	SD-015-41	Self-Tapping Screw 8-32 x 1/2 Phil. Pan Hd., Type TT (2712, 2712C, 2712PHS, 2812, 2812ALB, 2812C, 2812CB, 2812PS, 2912, 2912C, & 2912PS).....	2
14	00-087714-042-1	Relay (2-Pole) (115 V.) (2712, 2712C, 2812, 2812ALB, 2812C, 2812CB, 2812PS, 2912, 2912B, 2912C, & 2912PS)	1
15	00-087714-042-3	Relay (2-Pole) (240 V.) (2712, 2712PHS, 2812-ML-134239, 2812PS, & 2912-ML-134245) ...	1
16	00-078752-00012	Clamp - Cable	1
17	SD-038-16	Self-Tapping Screw 6-32 x 3/8 Hex Washer Hd., Type RL	1
18	00-438929	Bracket - Motor Start Switch	1
19	SD-015-38	Self-Tapping Screw 6-32 x 3/8 Phil. Pan Hd., Type TT	2
20	00-271612-00002	Switch - Electronic Start	1
21	00-875668	Knob - On/Off	1
22	00-439041	Bracket - Switch Rod	1
23	SD-038-16	Self-Tapping Screw 6-32 x 3/8 Hex Washer Hd., Type RL	2
24	00-439040	Bracket - On/Off Switch	1
25	SD-038-16	Self-Tapping Screw 6-32 x 3/8 Hex Washer Hd., Type RL	2
26	00-087711-148-1	Switch - Toggle (2-Post) (2612, 2612C, 2612GC, 2612PHS, 2712, 2712C, & 2712PHS).....	1
27	00-875567	Switch Assy. (2812, 2812ALB, 2812C, 2812CB, 2812PS, 2912, 2912B, 2912C, & 2912PS) ...	1
28	00-873803	Cover - Switch Mylar	1
29	SD-038-16	Self-Tapping Screw 6-32 x 3/8 Hex Washer Hd., Type RL (2812, 2812ALB, 2812C, 2812CB, 2812PS, 2912, 2912B, 2912C, & 2912PS).....	2
30	00-479683	Bracket - Switch (2812, 2812ALB, 2812C, 2812CB, 2812PS, 2912, 2912B, 2912C, & 2912PS)	1
31	00-478427	Spacer - Nylon (2812, 2812ALB, 2812C, 2812CB, 2812PS, 2912, 2912B, 2912C, & 2912PS) 2	2
32	SC-060-40	Mach. Screw 4-40 x 5/8 Rd. Hd. (2812, 2812ALB, 2812C, 2812CB, 2812PS, 2912, 2912B, 2912C, & 2912PS).....	2
33	00-087711-00349	Switch - Snap Action (2812, 2812ALB, 2812C, 2812CB, 2812PS, 2912, 2912B, 2912C, & 2912PS)	1
34	00-877714-069-2	Timer - Relay (230 V.) (2812 & 2812PS).....	1
35	00-877714-069-1	Timer - Relay (115 V.) (2812-ML-134239, 2812CB, 2812PS-ML-134241, 2812ALB, & 2912) 1	1
36	SD-038-16	Self-Tapping Screw 6-32 x 3/8 Hex Washer Hd., Type RL (2712, 2712C, 2712PHS, 2812, 2812ALB, 2812C, 2812CB, 2812PS, 2912, 2912B, 2912C, & 2912PS)	2
37	WL-006-43	Lockwasher #4 Medium (2712, 2712C, 2712PHS, 2812, 2812ALB, 2812C, 2812CB, 2812PS, 2912, 2912B, 2912C, & 2912PS).....	2
38	NS-011-01	Nut 4-40 Hex (2712, 2712C, 2712PHS, 2812, 2812ALB, 2812C, 2812PS, 2912, 2912B, 2912C, & 2912PS)	2
39	00-477523	Bracket - Switch (2712, 2712C, 2712PHS, 2812, 2812ALB, 2812C, 2812CB, 2812PS, 2912, 2912B, 2912C, & 2912PS)	1
40	SC-120-97	Mach. Screw 4-40 x 3/8 Flat Hd. (SST) (2712, 2712C, 2712PHS, 2812, 2812ALB, 2812C, 2812CB, 2812PS, 2912, 2912B, 2912C, & 2912PS).....	2
41	00-087711-00334	Switch - Home Start (2912B)	1
42	00-087711-00319	Switch - Home Start (2712, 2712C, 2712PHS, 2912, & 2912C).....	1
43	00-087711-00335	Switch - Home Start (2912PS).....	1
44	00-087711-00276	Switch - Home Start (2812-ML-134239, 2812ALB, 2812C, 2812CB, & 2812PS-ML-134241) 1	1
45	00-087711-00353	Switch - Home Start (2812-ML-136110 & 2812PS-ML-136114).....	1
46	00-087711-00264	Switch - Slice Count (2812PS).....	1
47	00-087711-00335	Switch - Slice Count (2912PS).....	1
48	00-873635	PCB Assy. - Knife Motor Control (2912B)	1
49	00-875668	Knob - On/Off (2912B)	1
50	00-875700-00002	Plate - Mounting (2912B)	1
51	RR-009-03	Ring - Retaining (2912B)	1
52	00-914129	Pad - Dampening (2912B)	1
53	00-087711-00349	Switch (Stop) (2912B).....	1
54	SC-122-53	Mach. Screw 4-40 x 5/8 Phil. Pan Hd. (2912B).....	2
55	00-087711-00349	Switch (Start/Pause) (2912B)	1
56	SC-122-53	Mach. Screw 4-40 x 5/8 Phil. Pan Hd. (2912B).....	2
57	SD-038-16	Self-Tapping Screw 6-32 x 3/8 Hex Washer Hd., Type RL	2
58	00-914231	Standoff - Pivot Arm	1
59	00-873664	Arm - Switch Pivot.....	1
60	00-914100	Washer - Belleville (Use 00-914231)	1
61	NS-048-93	Stop Nut 10-32 Hex (Use 00-914231)	1
62	00-087714-069-1	Timer Relay (115 V.) (2812-ML-136110 & 2812PS-ML-136114).....	1
63	DS-037-95	Self-Tapping Screw 10-24 X 1 Phil. Pan Hd.	1
64	SD-038-16	Self-Tapping Screw 6-32 x 3/8 Hex Washer Hd., Type RL	4
65	00-087714-00063	Relay (115 V.) (2812-ML-136110 & 2812PS-ML-136114).....	2
66	00-914199	Bracket - Relay (2812-ML-136110 & 2812PS-ML-136114).....	1
67	SC-129-23	Mach. Screw 4-40 x 1/4 Phil. Pan Hd. (2912B)	1
	00-875744	Kit - Start/Stop/Pause Switch (2912B) (Incls. Items 49 thru 61 & 67).....	1
	00-914227	Relay Bracket Assy. (W/Auto Shutoff & Gauge Reset) (2812-ML-136110 & 2812PS-ML-136114).....	1

MODEL 2000 SERIES SLICER REPLACEMENT PARTS



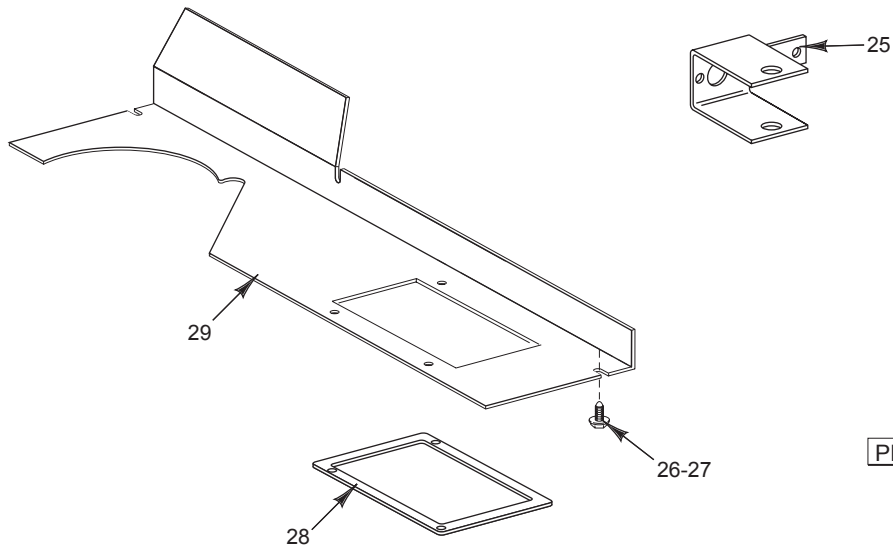
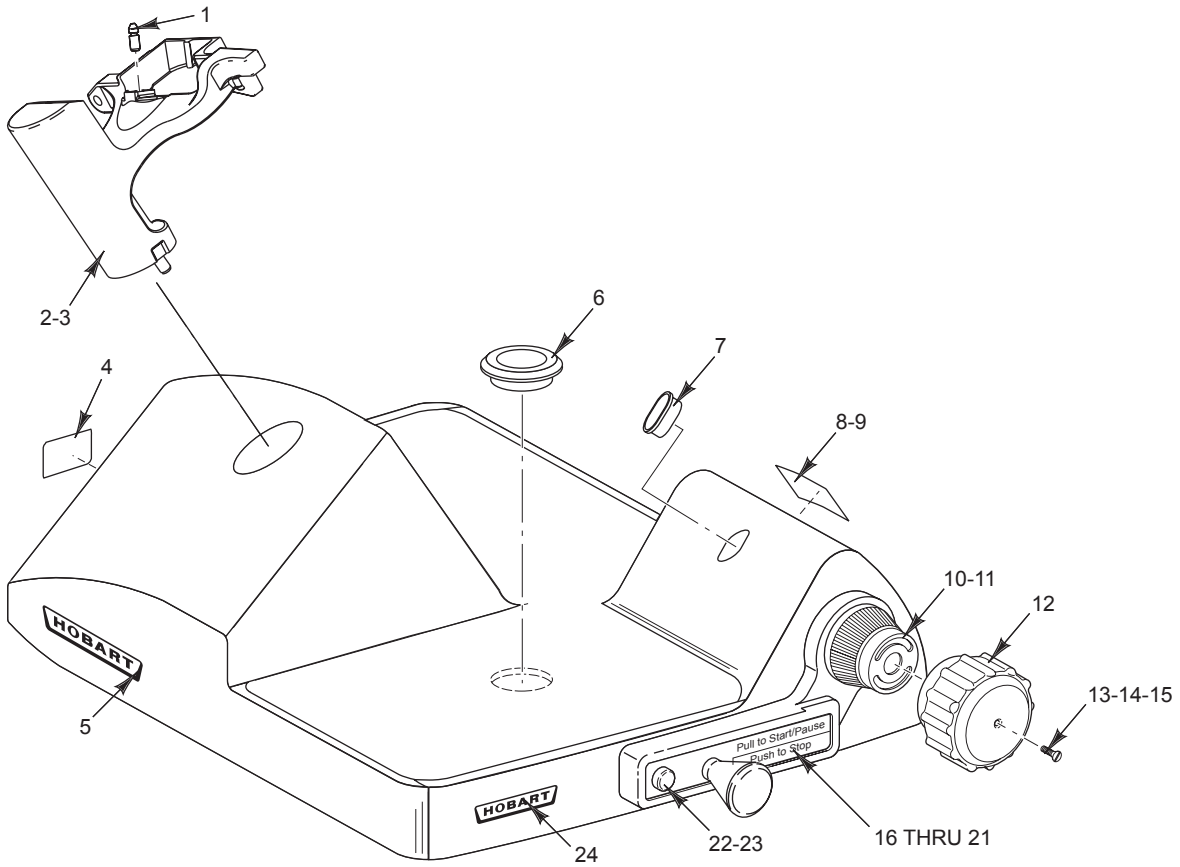
2612	ML-134231	2812	ML-134239
2612C	ML-134233	2812	ML-136110
2612GC	ML-136100	2812PS	ML-134241
2612PHS	ML-134234	2812PS	ML-136114
		2812ALB	ML-134243
		2812C	ML-134244
		2812CB	ML-136141

**BASE UNIT
(2612 & 2812 SERIES)**

**BASE UNIT
(2612 & 2812 SERIES)**

ILLUS. PL-57004	PART NO.	NAME OF PART	AMT.
1	00-873733	Pin – Lock	1
2	00-914217-00004	Mount – Sharpener Housing	1
3	SD-038-13	Self-Tapping Screw ⁵ / ₁₆ -18 x ⁷ / ₈ Hex Washer Hd., Type RL	2
4	00-438131-061-2	Label – Warning	1
5	00-477739	Logo – Hobart (Large)	1
6	00-479033	Nut – Hump (2812PS)	1
7	00-875347	Ring – Drip	1
8	00-438131-054-2	Label – Warning	1
9	00-121676-00001	Self-Tapping Screw	2
10	00-875370	Dial Assy. (All Except 2812CB)	1
11	00-875370	Dial Assy. (2812CB)	1
12	00-077629	Bushing	1
13	00-875348	Knob – Indexing	1
14	SC-126-30	Mach. Screw 10-24 x ³ / ₄ Hex Hd. (2612PHS)	1
15	SC-023-10	Mach. Screw 10-24 x ³ / ₄ Oval Hd.	1
16	SC-121-95	Mach. Screw 10-24 x ⁵ / ₈ Hex Flat Hd. (2612C & 2812C)	1
17	00-477773	Leg Set (4 In.) (Packaged)	1
18	00-873766	Leg Set (3 In.) (Packaged)	1
19	00-875371	Foot (Tall)	4
20	00-875349	Bezel – Index	1
21	00-479745	Bezel – Index (2612C & 2812C)	1
22	SD-038-21	Self-Tapping Screw 8-32 x ¹ / ₄ Phil. Pan Hd., Type TT	2
23	SD-038-20	Self-Tapping Screw 8-32 x 1 Phil. Pan Hd., Type TT	2
24	00-477735	Label – Start/Stop	1
25	00-479655	Lock Bracket (2612C & 2812C)	1
26	00-439042-00001	Lamp (125 V.)	1
27	00-439042-00002	Lamp (250 V.)	1
28	SC-041-02	Cap Screw ¹ / ₄ -20 x 1 Hex Hd.	1
29	00-477740	Logo – Hobart (Small)	2
30	WL-014-10	Lockwasher ¹ / ₄ External Shakeproof	1
31	NS-015-01	Nut ¹ / ₄ -20 Hex (SST)	1
32	00-437865	Leg – Cleaning	1
33	00-478023	Cap – Lift Leg	1
34	SD-038-76	Self-Tapping Screw 6-32 x ³ / ₈ Hex Hd., Type RL (2612PHS)	11
35	SD-038-16	Self-Tapping Screw 6-32 x ³ / ₈ Hex Washer Hd., Type RL	11
36	00-873738	Cover – Bottom	1
37	SD-038-16	Self-Tapping Screw 6-32 x ³ / ₈ Hex Washer Hd., Type RL (2812PS)	6
38	WL-019-32	Lockwasher #6 External (2812PS)	6
39	00-477227	Scale – PCB Assy. (2812PS)	1

MODEL 2000 SERIES SLICER REPLACEMENT PARTS



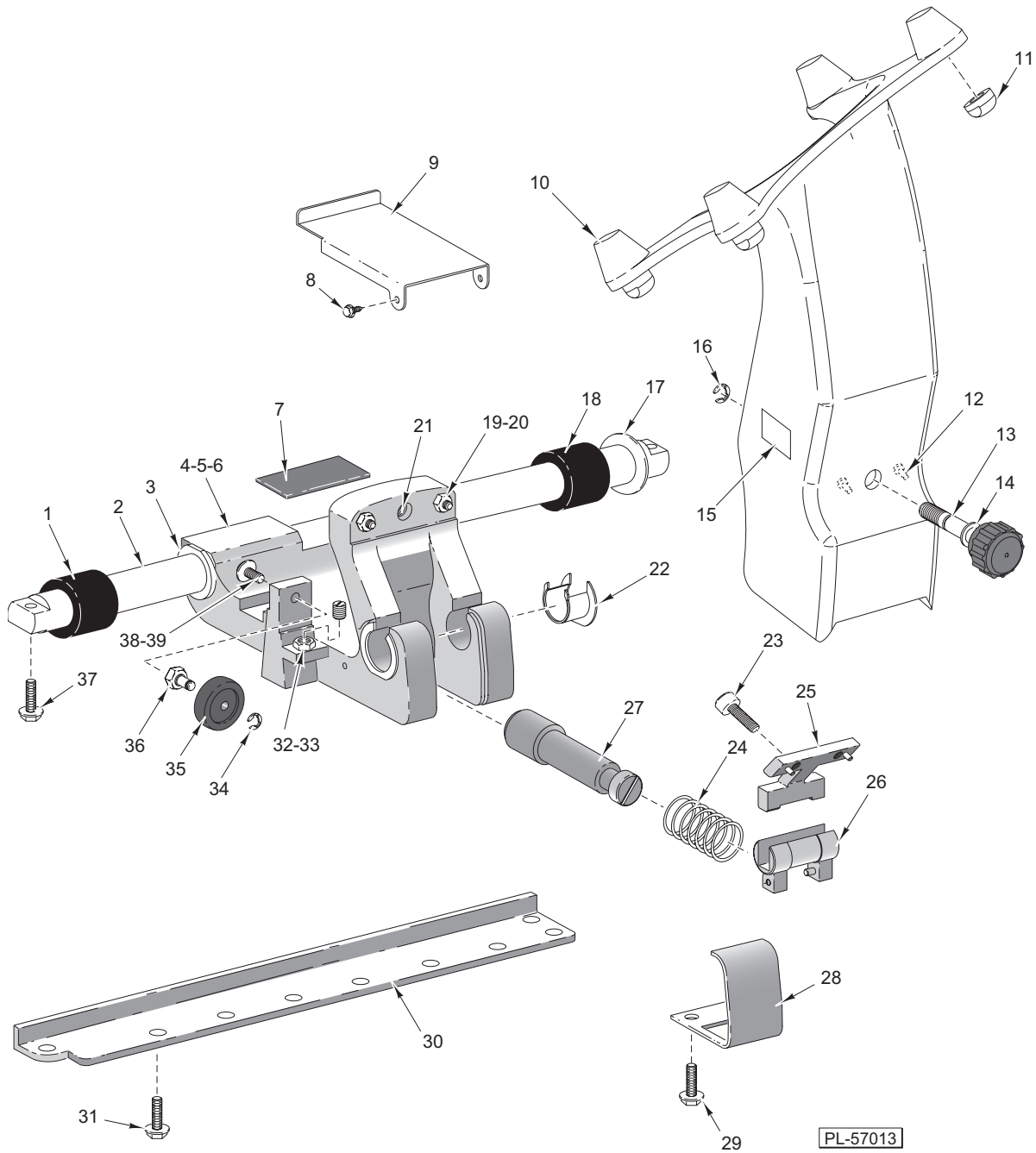
PL-57014

2712	ML-134235	2912	ML-134245
2712C	ML-134237	2912	ML-136111
2712PHS	ML-134238	2912PS	ML-134247
		2912C	ML-134248
		2912B	ML-134251

**BASE UNIT
(2712 & 2912 SERIES)**

**BASE UNIT
(2712 & 2912 SERIES)**

ILLUS.	PART NO.	NAME OF PART	AMT.
PL-57014			
1	00-873733	Pin – Lock	1
2	00-914217-00004	Mount – Sharpener Housing.....	1
3	SD-038-13	Self-Tapping Screw ⁵ / ₁₆ -18 x ⁷ / ₈ Hex Washer Hd., Type RL.....	2
4	00-438131-061-2	Label – Warning.....	1
5	00-477739	Logo – Hobart (Large)	1
6	00-479033	Nut – Hump (2912PS)	1
7	00-875347	Ring – Drip.....	1
8	00-438131-054-2	Label – Warning.....	1
9	00-121676-00001	Self-Tapping Screw.....	2
10	00-875370	Dial Assy.	1
11	00-077629	Bushing.....	1
12	00-875348	Knob – Indexing.....	1
13	SC-126-30	Mach. Screw 10-24 x ³ / ₄ Hex Hd. (2712PHS).....	1
14	SC-023-10	Mach. Screw 10-24 x ³ / ₄ Oval Hd.....	1
15	SC-121-95	Mach. Screw 10-24 x ³ / ₄ Hex Flat Hd. (2712C & 2912C).....	1
16	00-873623	Label – Start/Stop/Pause (2912B).....	1
17	00-477735	Label – Start/Stop (2712, 2712C, 2912, 2912C, & 2912PS).....	1
18	00-875349	Bezel – Index (2712, 2912, 2912B, & 2912PS).....	1
19	00-479745	Bezel – Index (2712C & 2912C).....	1
20	SD-038-21	Self-Tapping Screw 8-32 x 1 ¹ / ₄ Phil. Pan Hd., Type TT.....	2
21	SD-038-20	Self-Tapping Screw 8-32 x 1 Phil. Pan Hd., Type TT.....	2
22	00-439042-00001	Lamp (125 V.)	1
23	00-439042-00002	Lamp (250 V.)	1
24	00-477740	Logo – Hobart (Small).....	2
25	00-479655	Bracket – Lock (2712C & 2912C).....	1
26	SD-038-76	Self-Tapping Screw 6-32 x ³ / ₈ Hex Hd., Type RL (2712PHS)	5
27	SD-038-16	Self-Tapping Screw 6-32 x ³ / ₈ Hex Washer Hd., Type RL.....	5
28	00-479680	Gasket – Chute (2912PS).....	1
29	00-478036	Cover – Upper Electrical.....	1



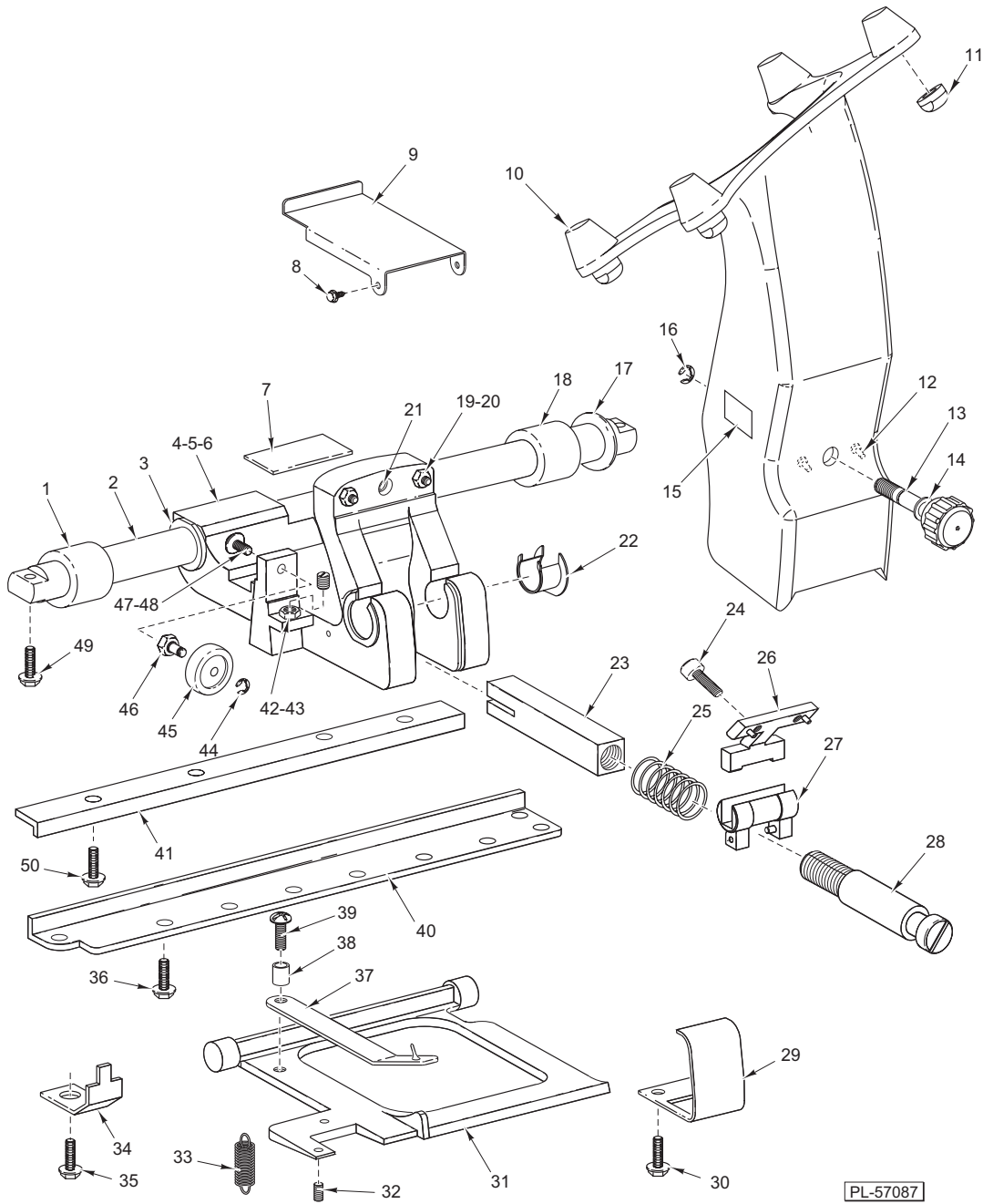
PL-57013

2612	ML-134231	2712	ML-134235
2612C	ML-134233	2712C	ML-134237
2612GC	ML-136100	2712PHS	ML-134238
2612PHS	ML-134234		

**TRANSPORT CARRIAGE UNIT
(2612 & 2712 SERIES)**

**TRANSPORT CARRIAGE UNIT
(2612 & 2712 SERIES)**

ILLUS.	PART NO.	NAME OF PART	AMT.
1	00-477555	Bumper – Slide Rod.....	1
2	00-438907	Slide – Rod.....	1
3	00-875658	Bearing – Transport.....	2
4	00-875659	Transport – Carriage.....	1
5	00-875374	Plug – Transport Hole.....	6
6	00-439064	Magnet – Transport.....	1
7	00-439017	Wick – Slide Rod Lubrication.....	1
8	SD-038-16	Self-Tapping Screw 6-32 x 3/8 Hex Washer Hd., Type RL.....	2
9	00-478424	Cover – Interlock.....	1
10	00-479676-00002	Support – Tray Assy.....	1
11	00-875039	Nut – Carriage Tray.....	4
12	00-439045	Stud – Drive.....	2
13	00-875450	Knob – SPRT Tray Assy.....	1
14	00-478021	Washer – Belleville.....	2
15	00-477733	Label – Start (Home) (2712, 2712C, & 2712PHS).....	1
16	RR-012-17	Ring – Retaining.....	1
17	00-435708	Washer – Backup (SST).....	2
18	00-477555	Bumper – Slide Rod.....	1
19	SC-128-35	Set Screw 5/16-18 x 1 Slotted Hdls., Flat Pt.....	2
20	NS-018-06	Jam Nut 5/16-18 Hex.....	2
21	00-519826	Insert – Screw.....	1
22	00-439006	Bearing – Pivot.....	2
23	SC-123-08	Cap Screw 1/4-20 x 5/8 Soc. Hd.....	2
24	00-438902	Spring – Interlock Bar.....	1
25	00-873535-00002	Plate – Key.....	1
26	00-873534-00002	Pivot – Tilttable Carrier.....	1
27	00-875445	Shaft – Pivot Return.....	1
28	00-438900	Cover – Transport.....	1
29	SD-038-16	Self-Tapping Screw 6-32 x 3/8 Hex Washer Hd., Type RL.....	2
30	00-438908	Bar – Transport Roller.....	1
31	SD-038-22	Self-Tapping Screw 10-24 x 1/2 Hex Washer Hd., Type RL.....	4
32	00-477747	Set Screw – Special.....	1
33	NS-017-20	Jam Nut 3/8-24 Hex.....	1
34	RR-006-23	Ring – Retaining.....	1
35	00-478420	Roller – Transport.....	1
36	00-438911	Screw – Adjusting.....	1
37	SD-033-08	Self-Tapping Screw 5/16-18 x 1 Hex Washer Hd., Type TT.....	2
38	WS-003-49	Washer.....	1
39	SC-123-56	Mach. Screw 1/4-28 x 1/2 Hex Button Hd.....	1
	00-437906	Oiler – Telescoping Slicer.....	1



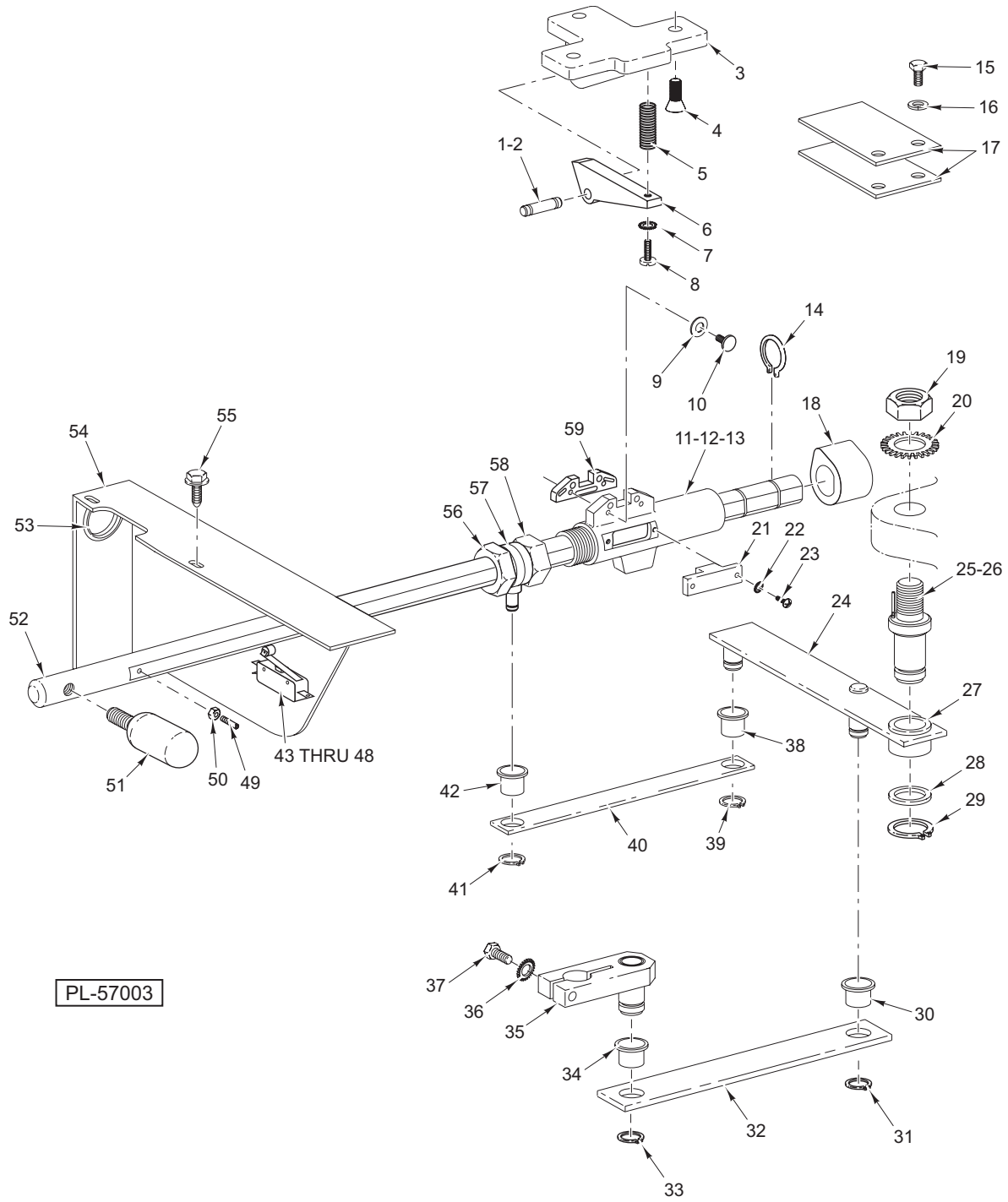
PL-57087

2812	ML-134239	2912	ML-134245
2812	ML-136110	2912	ML-136111
2812PS	ML-134241	2912PS	ML-134247
2812PS	ML-136114	2912C	ML-134248
2812ALB	ML-134243	2912B	ML-134251
2812C	ML-134244		
2812CB	ML-136141		

**TRANSPORT CARRIAGE UNIT
(2812 & 2912 SERIES)**

**TRANSPORT CARRIAGE UNIT
(2812 & 2912 SERIES)**

ILLUS. PL-57087	PART NO.	NAME OF PART	AMT.
1	00-477555	Bumper – Slide Rod.....	1
2	00-438907	Slide – Rod	1
3	00-875658	Bearing – Transport	2
4	00-875659	Transport – Carriage.....	1
5	00-875374	Plug – Transport Hole.....	6
6	00-439064	Magnet – Transport.....	1
7	00-439017	Wick – Slide Rod Lubrication	1
8	SD-038-16	Self-Tapping Screw 6-32 x 3/8 Hex Washer Hd., Type RL.....	2
9	00-478424	Cover – Interlock.....	1
10	00-479676-00001	Support – Tray Assy.....	1
11	00-875039	Nut – Carriage Tray	4
12	00-439045	Stud – Drive	2
13	00-875450	Knob – SPRT Tray Assy.....	1
14	00-478021	Washer – Belleville	2
15	00-477733	Label – Start (Home)	1
16	RR-012-17	Ring – Retaining	1
17	00-435708	Washer – Backup (SST).....	2
18	00-477555	Bumper – Slide Rod.....	1
19	SC-128-35	Set Screw 5/16-18 x 1 Slotted Hdls., Flat Pt.	2
20	NS-018-06	Jam Nut 5/16-18 Hex	2
21	00-519826	Insert – Screw.....	1
22	00-439006	Bearing – Pivot	2
23	00-478428	Bar – Transport Interlock	1
24	SC-123-08	Cap Screw 1/4-20 x 5/8 Soc. Hd.....	2
25	00-438902	Spring – Interlock Bar	1
26	00-873535-00002	Plate – Key	1
27	00-873534-00002	Pivot – Tiltable Carrier	1
28	00-438903	Shaft – Interlock Bar	1
29	00-438900	Cover – Transport.....	1
30	SD-038-16	Self-Tapping Screw 6-32 x 3/8 Hex Washer Hd., Type RL.....	2
31	00-479682-00002	Plate – Pivoting Interlock	1
32	SC-125-12	Set Screw 1/4-28 x 1/2 Hex Hdls., Cup Pt.....	1
33	00-438897	Spring – Plate Pivoting	1
34	00-438896	Clip – Plate Pivoting.....	2
35	SD-038-22	Self-Tapping Screw 10-24 x 1/2 Hex Washer Hd., Type RL.....	2
36	SD-038-22	Self-Tapping Screw 10-24 x 1/2 Hex Washer Hd., Type RL.....	4
37	00-478421	Follower – Interlock Plate	1
38	00-477749	Bushing – Follower & Wick Cover	1
39	SC-123-07	Mach. Screw – Special 8-32 x 1/2 Truss Hd.....	1
40	00-438908	Bar – Transport Roller.....	1
41	00-438919	Bar – Lockout.....	1
42	00-477747	Set Screw – Special.....	1
43	NS-017-20	Jam Nut 3/8-24 Hex.....	1
44	RR-006-23	Ring – Retaining	1
45	00-478420	Roller – Transport	1
46	00-438911	Screw – Adjusting	1
47	WS-003-49	Washer.....	1
48	SC-123-56	Mach. Screw 1/4-28 x 1/2 Hex Button Hd.....	1
49	SD-033-08	Self-Tapping Screw 5/16-18 x 1 Hex Washer Hd., Type TT.....	2
50	SD-015-07	Self-Tapping Screw 1/4-20 x 5/8 Hex Washer Hd., Type RL	4
	00-437906	Oiler – Telescoping Slicer	1



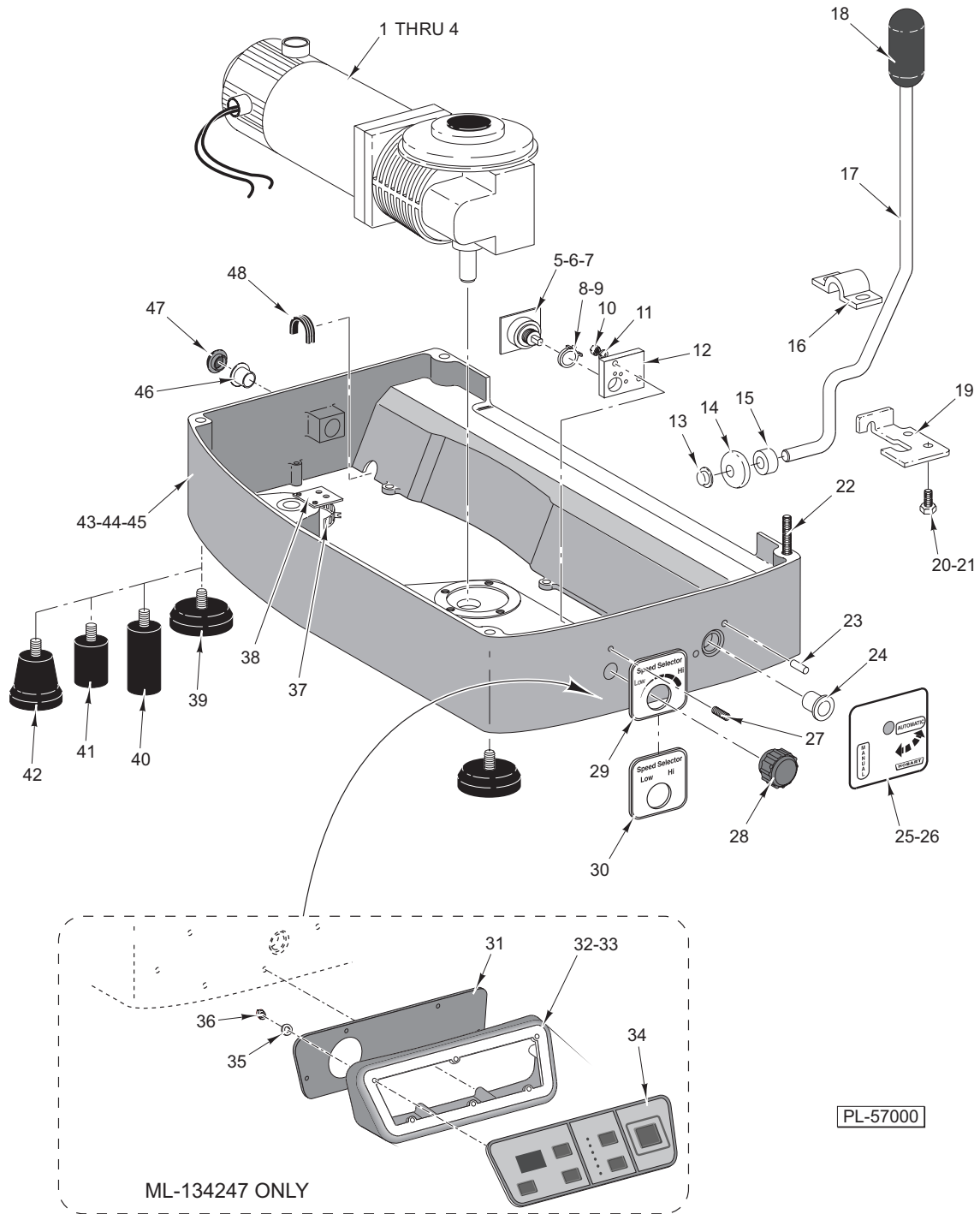
2712	ML-134235	2912	ML-134245
2712C	ML-134237	2912	ML-136111
2712PHS	ML-134238	2912PS	ML-134247
		2912C	ML-134248
		2912B	ML-134251

AUTOMATIC CARRIER UNIT

AUTOMATIC CARRIER UNIT

ILLUS. PL-57003	PART NO.	NAME OF PART	AMT.
1	00-477767	Shaft – Pawl.....	1
2	RR-010-06	Ring – Retaining	2
3	00-875474-00002	Bracket – Pawl.....	1
4	SD-024-29	Self-Tapping Screw 10-32 x 3/4 Flat Hd., Type TT.....	3
5	00-478429	Spring – Pawl.....	1
6	00-873591	Pawl – Auto-Engage	1
7	WL-007-02	Lockwasher #6 External	1
8	SC-009-49	Mach. Screw 6-32 x 3/8 Rd. Hd.....	1
9	WL-007-07	Lockwasher #8.....	2
10	SC-007-68	Mach. Screw 8-32 x 5/8 Rd. Hd.....	2
11	00-477755-00002	Carrier – Automatic.....	1
12	00-478269	Bearing – Carrier (Auto).....	2
13	00-478277	Wick – Carrier	1
14	RR-007-21	Ring – Retaining	2
15	SD-038-22	Self-Tapping Screw 10-24 x 1/2 Hex Washer Hd., Type RL.....	2
16	WL-008-13	Lockwasher #10.....	2
17	00-478407	Spring – Auto/Manual Lock.....	2
18	00-478406	Lock – Auto/Manual	1
19	NS-017-41	Jam Nut 5/8-18 Hex.....	1
20	WL-019-12	Lockwasher 5/8 External	1
21	00-477775	Key – Auto-Engage.....	1
22	WL-007-02	Lockwasher #6 External	2
23	SC-009-49	Mach. Screw 6-32 x 3/8 Rd. Hd.....	2
24	00-478003	Main Link Assy. (Incls. Item 21).....	1
25	00-477781	Pivot – Main Link	1
26	RP-005-04	Pin – Roll 1/8 Dia. x 3/4 Lg.....	1
27	00-478027	Bearing – Main Link.....	1
28	00-478040	Washer – Main Link	2
29	RR-009-05	Ring – Retaining	1
30	00-478030	Bearing – Motor Link.....	1
31	RR-007-21	Ring – Retaining	1
32	00-478005	Link Assy. – Motor Drive	1
33	RR-007-21	Ring – Retaining	1
34	00-478030	Bearing – Motor Link.....	1
35	00-873438	Motor Crank Link Assy.....	1
36	WL-007-16	Lockwasher 1/4 External Shakeproof.....	1
37	SC-118-17	Cap Screw 1/4-20 x 1 1/4 Hex Hd.....	1
38	00-478028	Bearing – Carrier Link.....	1
39	RR-009-03	Ring – Retaining	1
40	00-478006	Link Assy. – Carrier.....	1
41	RR-009-03	Ring – Retaining	1
42	00-478028	Bearing – Carrier Link.....	1
43	00-087711-00270	Switch – Auto/Manual (2912PS Uses Quantity of 2)	1
44	00-478284	Barrier – Mylar	1
45	NS-009-02	Nut 4-40 Hex.....	2
46	WL-006-43	Lockwasher #4 Medium.....	2
47	SC-060-40	Mach. Screw 4-40 x 5/8 Pan Hd.....	2
48	SC-112-90	Mach. Screw 4-40 x 1 Slotted Pan Hd. (2912PS).....	2
49	00-478408	Pin – Carrier Shaft.....	1
50	NS-017-03	Jam Nut 1/4-20 Hex.....	1
51	00-875353	Knob & Lever Assy.....	1
52	00-477764	Shaft – Auto-Carrier	1
53	00-479950	Grommet – Electrical	1
54	00-479954	Bracket – Switch	1
55	SD-038-16	Self-Tapping Screw 6-32 x 3/8 Hex Washer Hd., Type RL.....	2
56	00-478024	Lock – Swivel.....	1
57	00-477761-00002	Swivel – Auto-Carrier	1
58	00-478025	Nut – Swivel Lock	1
59	00-477763-00002	Ramp – Auto-Engage	1

MODEL 2000 SERIES SLICER REPLACEMENT PARTS

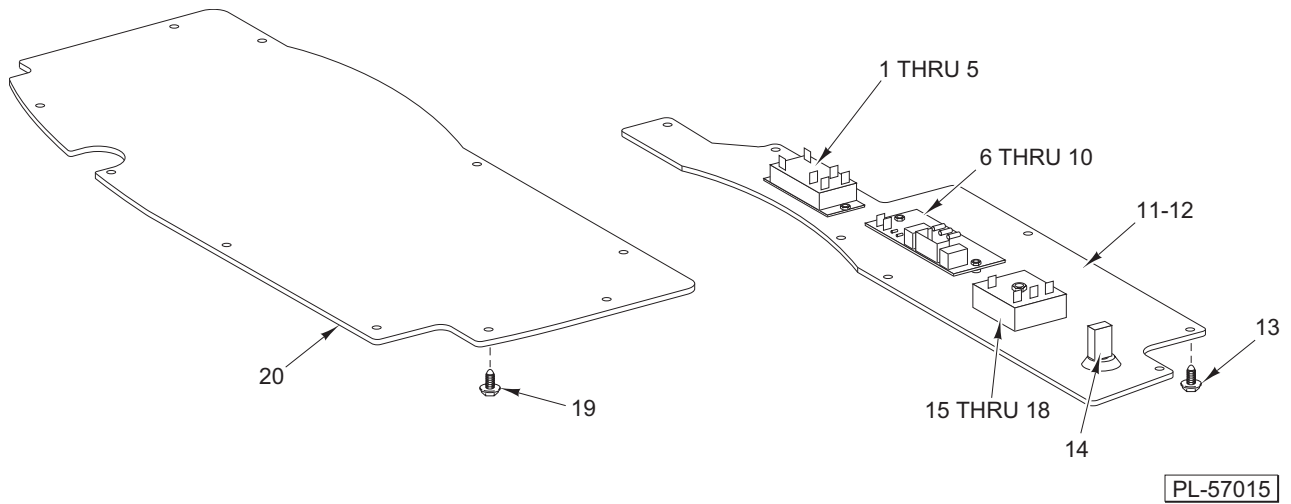


2712	ML-134235	2912	ML-134245
2712C	ML-134237	2912	ML-136111
2712PHS	ML-134238	2912PS	ML-134247
		2912C	ML-134248
		2912B	ML-134251

AUTOMATIC BASE UNIT

AUTOMATIC BASE UNIT

ILLUS. PL-57000	PART NO.	NAME OF PART	AMT.
1	SC-040-53	Mach. Screw 10-24 x 7/8 Hex Soc. Hd.....	4
2	WL-006-07	Lockwasher #10 Helical.....	4
3	00-479531	Motor (115 V. Machines) (90 VDC).....	1
4	00-873654	Motor (230 V. Machines) (180 VDC) (2712, 2712PHS, & 2912).....	1
5	00-873630	PCB Assy. – Carriage Speed (2912B).....	1
6	00-873230	Potentiometer Kit Assy. (2912 & 2912C).....	1
7	00-478383	Switch Assy. (2712, 2712C, & 2712PHS).....	1
8	00-873236	Stop – Multi-Speed Slicer (2912, 2912B, & 2912C).....	1
9	00-873235	Stop – Two-Speed Control (2712, 2712C, & 2712PHS).....	1
10	NS-011-12	Nut 8-32 Hex (SST) (All Except 2912PS).....	2
11	WL-006-01	Lockwasher #8 (SST) (All Except 2912PS).....	2
12	00-873234	Bracket – Speed Control (All Except 2912PS).....	1
13	00-106502	Push Nut.....	1
14	00-108001	Foot – Lift Lever.....	1
15	00-478299	Spacer – Lift Lever.....	1
16	00-875366	Bearing – Lift Lever.....	1
17	00-873700	Lever – Lifting Assy. (Incls. Items 13, 14, 15, & 18).....	1
18	00-875356	Handle – Lift Lever.....	1
19	00-875220	Retainer – Lift Lever.....	1
20	SD-009-16	Self-Tapping Screw 1/4-20 x 3/4 Hex Hd., Type F.....	2
21	SD-038-77	Self-Tapping Screw 1/4-20 x 3/4 Hex Hd., Type F (2712PHS).....	2
22	SC-125-16	Cap Screw 5/16-18 x 5 1/4 Hex Hd.	4
23	00-478409	Pin – Auto/Manual Stop 1/4 x 1.....	2
24	00-478039	Bearing – Carrier Shaft.....	1
25	00-479288	Label – Auto/Manual (Domestic) (2912PS & 2912B).....	1
26	00-478274	Label – Auto/Manual (Domestic) (2712, 2712C, 2712PHS, 2912, & 2912C).....	1
27	SC-055-23	Set Screw 8-32 x 5/8 Soc. Hdls., Cup Pt. (All Except 2912PS).....	2
28	00-875358	Knob Assy. – Speed Control (All Except 2912PS).....	1
29	00-478265	Label – Speed Select (Domestic) (2912, 2912B, & 2912C).....	1
30	00-478296	Label – Speed Select (Domestic) (2712, 2712C, & 2712PHS).....	1
31	00-875143	Gasket – Bezel (2912PS).....	1
32	00-873506-00002	Bezel (2912PS).....	1
33	SD-038-53	Self-Tapping Screw 6-32 x 5/8 Hex Washer Hd., Type RL (2912PS).....	6
34	00-479614	Keypad – Scale (2912PS).....	1
35	WL-006-40	Lockwasher #6 Light (2912PS).....	6
36	NS-011-07	Nut 6-32 Hex (2912PS).....	6
37	00-873638	Vane – Sensor (2912B).....	1
38	00-873641	PCB Assy. – Speed/Position Sensor (2912B).....	1
39	00-875372	Foot – Short.....	4
40	00-478275	Leg Set (4 In.).....	1
41	00-873727	Leg Set (3 In.).....	1
42	00-875371	Foot – Tall.....	4
43	00-873698-00002	Base – Automatic (Painted) (All Except 2712PHS & 2912PS).....	1
44	00-873698-00003	Base – Automatic (Painted) (2912PS).....	1
45	00-873698-00004	Base – Automatic (Polished Alum.) (2712PHS).....	1
46	00-478039	Bearing – Carrier Shaft.....	1
47	00-875373	Plug – Hole (Large).....	1
48	00-478441	Grommet – Electric.....	2
	00-478467	Kit – Motor Brush (Bodine Motor).....	2
	00-478449	Kit – Motor Brush (Bison Motor).....	1
	00-873255	Tall Foot & Skid Plate Assy. (2912B).....	1

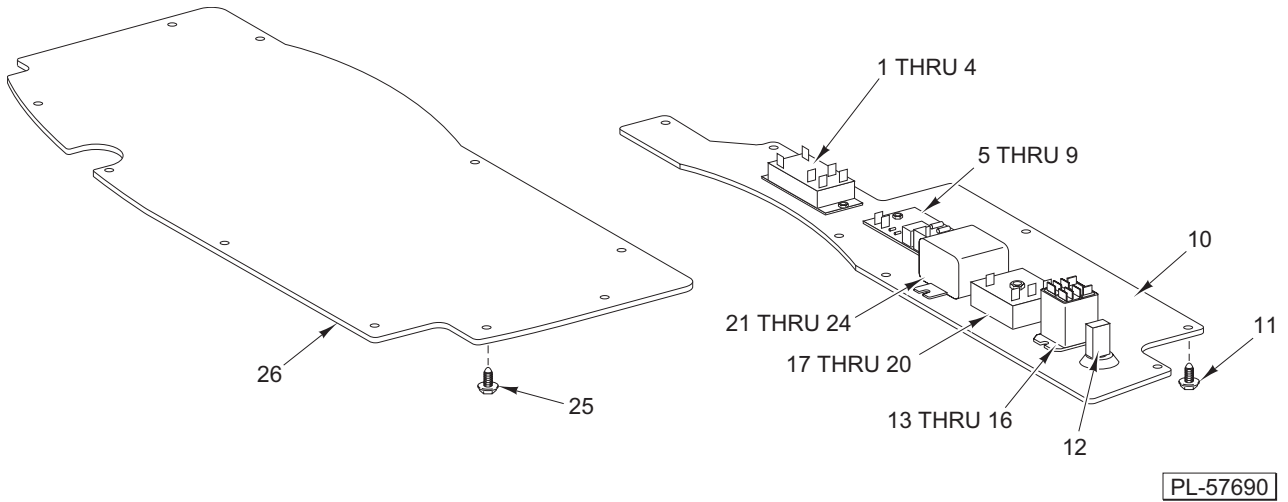


2712	ML-134235	2912	ML-134245
2712C	ML-134237	2912PS	ML-134247
2712PHS	ML-134238	2912C	ML-134248

**ELECTRICAL COVER ASSEMBLY
(2712 SERIES & 2912, ML-134245 & ML-134248)**

**ELECTRICAL COVER ASSEMBLY
(2712 SERIES & 2912, ML-134245 & ML-134248)**

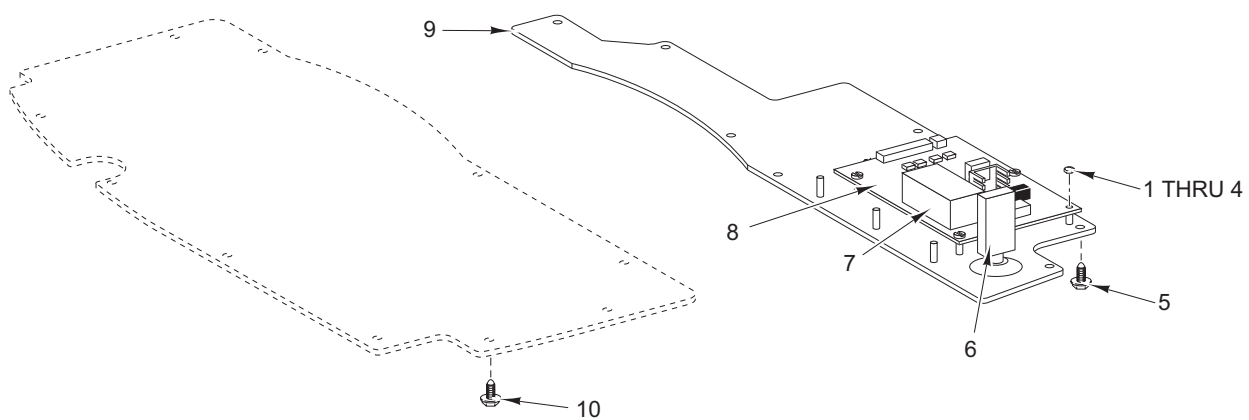
ILLUS.	PART NO.	NAME OF PART	AMT.
PL-57015			
1	00-087714-042-1	Relay (2-Pole) (115 V.).....	1
2	00-087714-042-3	Relay (2-Pole) (240 V.) (2712, 2712PHS, & 2912)	1
3	WS-023-22	Washer.....	2
4	WL-007-01	Lockwasher #6 External Shakeproof.....	2
5	NS-009-07	Nut 6-32 Hex.....	2
6	00-479708	Board – Printed Circuit.....	1
7	00-478392	Spacer – Nylon	2
8	WS-023-22	Washer.....	2
9	WL-007-01	Lockwasher #6 External Shakeproof.....	2
10	NS-009-07	Nut 6-32 Hex.....	2
11	00-873485-00001	Cover – Electrical (W/O Auto Off).....	1
12	00-873485-00002	Cover – Electrical (W/Auto Off) (2912 & 2912C)	1
13	SD-038-16	Self-Tapping Screw 6-32 x 3/8 Hex Washer Hd., Type RL.....	8
14	00-088196-00028	Breaker – 2 Amp. Thermal Overload	1
15	00-087714-069-1	Timer – Relay (115 V.) (Auto Shutoff Only) (2912 & 2912C)	1
16	WS-022-01	Washer (2912 & 2912C).....	1
17	WL-014-07	Lockwasher #10 External Shakeproof (SST) (2912 & 2912C)	1
18	NS-011-18	Nut 10-24 Hex (SST) (2912 & 2912C).....	1
19	SD-038-16	Self-Tapping Screw 6-32 x 3/8 Hex Washer Hd., Type RL.....	10
20	00-478034-00001	Cover – Bottom.....	1



**ELECTRICAL COVER ASSEMBLY
(2912, ML-136111)**

**ELECTRICAL COVER ASSEMBLY
(2912, ML-136111)**

ILLUS. PL-57690	PART NO.	NAME OF PART	AMT.
1	00-087714-042-1	Relay (2-Pole) (115 V.).....	1
2	WS-023-22	Washer.....	2
3	WL-007-01	Lockwasher #6 External Shakeproof.....	2
4	NS-009-07	Nut 6-32 Hex.....	2
5	00-479708	Board – Printed Circuit.....	1
6	00-478392	Spacer – Nylon.....	2
7	WS-023-22	Washer.....	2
8	WL-007-01	Lockwasher #6 External Shakeproof.....	2
9	NS-009-07	Nut 6-32 Hex.....	2
10	00-873485-00006	Cover – Electrical.....	1
11	SD-038-16	Self-Tapping Screw 6-32 x 3/8 Hex Washer Hd., Type RL.....	8
12	00-088196-00028	Breaker – 2 Amp. Thermal Overload.....	1
13	00-087714-00063	Relay DPDT.....	1
14	WS-023-22	Washer.....	2
15	WL-007-01	Lockwasher #6 External Shakeproof.....	2
16	NS-009-07	Nut 6-32 Hex.....	2
17	00-087714-069-1	Timer – Relay (115 V.) (Auto Shutoff Only).....	1
18	WS-022-01	Washer.....	1
19	WL-014-07	Lockwasher #10 External Shakeproof (SST).....	1
20	NS-011-18	Nut 10-24 Hex (SST).....	1
21	00-087714-020-2	Relay 3 PDT.....	1
22	WS-023-22	Washer.....	2
23	WL-007-01	Lockwasher #6 External Shakeproof.....	2
24	NS-009-07	Nut 6-32 Hex.....	2
25	SD-038-16	Self-Tapping Screw 6-32 x 3/8 Hex Washer Hd., Type RL.....	10
26	00-478034-00001	Cover – Bottom.....	1

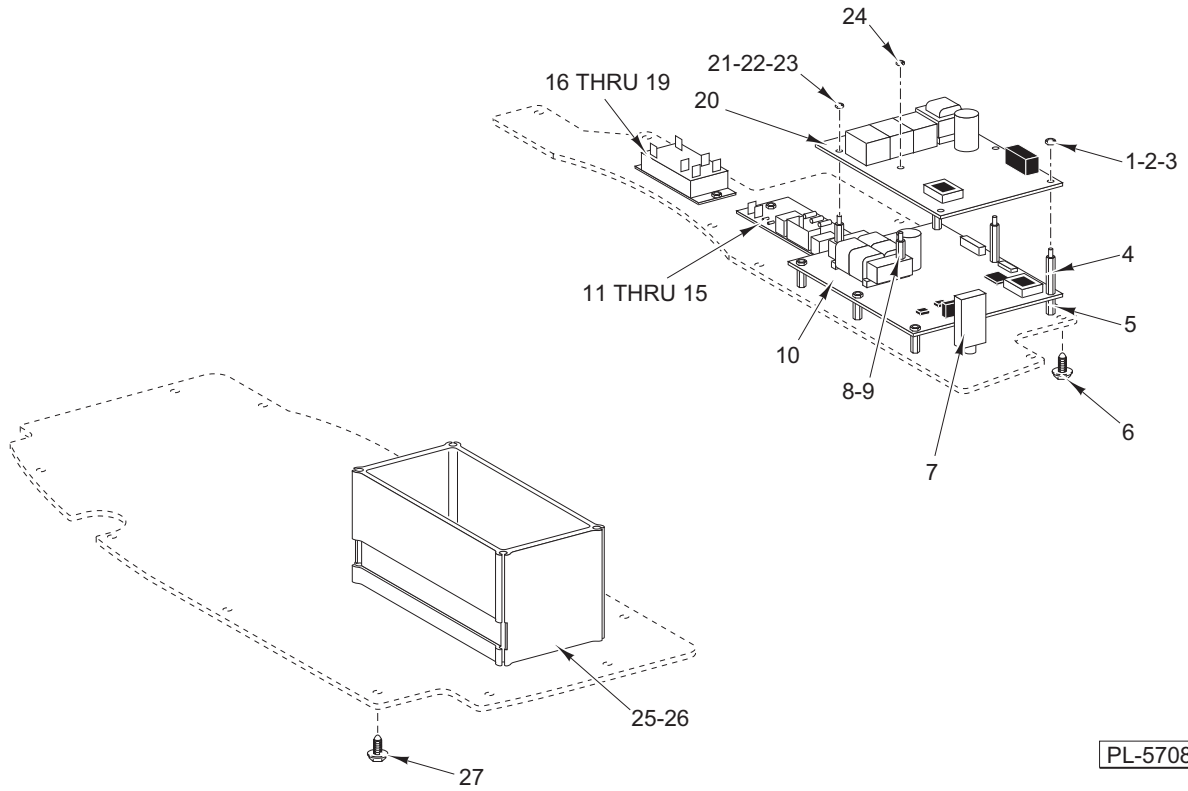


PL-57088

**ELECTRICAL COVER ASSEMBLY
(2912B, ML-134251)**

**ELECTRICAL COVER ASSEMBLY
(2912B, ML-134251)**

ILLUS.	PART NO.	NAME OF PART	AMT.
PL-57088			
1	WL-007-01	Lockwasher #6 External Shakeproof.....	5
2	WS-031-32	Washer.....	5
3	NS-009-07	Nut 6-32 Hex.....	5
4	00-478285-00002	Standoff.....	5
5	SD-038-16	Self-Tapping Screw 6-32 x 3/8 Hex Washer Hd., Type RL.....	8
6	00-088196-00028	Breaker – Thermal Overload (2 Amp.).....	1
7	00-087714-042-1	Relay (2-Pole) (115 V.).....	1
8	00-873633	PCB Assy. – Slicer Control Board.....	1
9	00-873485-00003	Cover – Electrical (115 V.).....	1
10	SD-038-16	Self-Tapping Screw 6-32 x 3/8 Hex Washer Hd., Type RL.....	10



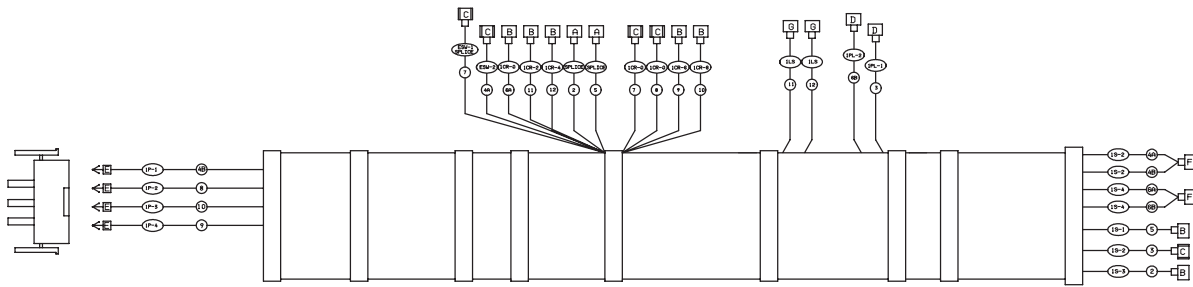
**ELECTRICAL COVER ASSEMBLY
(2912PS, ML-134247)**

**ELECTRICAL COVER ASSEMBLY
(2912PS, ML-134247)**

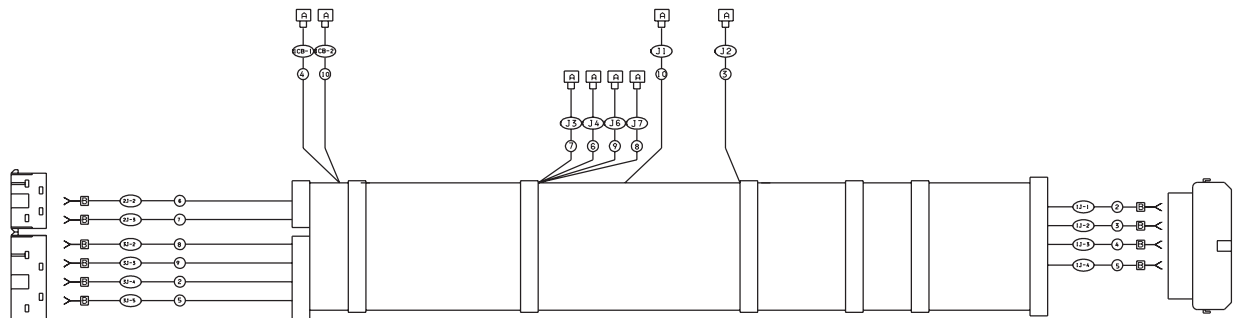
ILLUS.	PART NO.	NAME OF PART	AMT.
PL-57089			
1	WL-007-01	Lockwasher #6 External Shakeproof	3
2	WS-031-32	Washer	3
3	NS-009-07	Nut 6-32 Hex	3
4	00-478285-00003	Standoff	3
5	00-478285-00002	Standoff	6
6	SD-038-16	Self-Tapping Screw 6-32 x 3/8 Hex Washer Hd., Type RL	8
7	00-088196-00028	Breaker – 2 Amp. Thermal Overload	1
8	00-478285-00002	Standoff	2
9	SC-018-60	Mach. Screw 6-32 x 1 1/8	2
10	00-873169	PCB Assy. – Scale	1
11	00-479708	Board – Printed Circuit	1
12	00-478392	Spacer – Nylon	2
13	WS-023-22	Washer	2
14	WL-007-01	Lockwasher #6 External Shakeproof	2
15	NS-009-07	Nut 6-32 Hex	2
16	00-087714-042-1	Relay (2-Pole) (115 V.)	1
17	WS-023-22	Washer	2
18	WL-007-01	Lockwasher #6 External Shakeproof	2
19	NS-009-07	Nut 6-32 Hex	2
20	00-873566	PCB Assy. – Slicer Control Board	1
21	NS-009-07	Nut 6-32 Hex	1
22	WS-023-22	Washer	1
23	WL-007-01	Lockwasher #6 External Shakeproof	1
24	NS-009-07	Nut 6-32 Hex	1
25	00-478452	Chute – Load Cell Access	1
26	SD-036-39	Self-Tapping Screw 10-24 x 3/8 Truss Hd., Type TT	4
27	SD-038-16	Self-Tapping Screw 6-32 x 3/8 Hex Washer Hd., Type RL	10



00-478280-1 Harness - Wiring



00-478384-1 Harness - Wiring

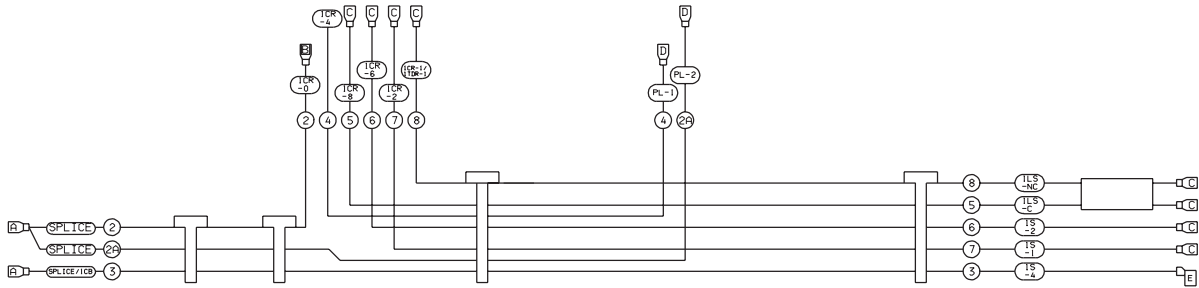


00-478385-1 Harness - Wiring

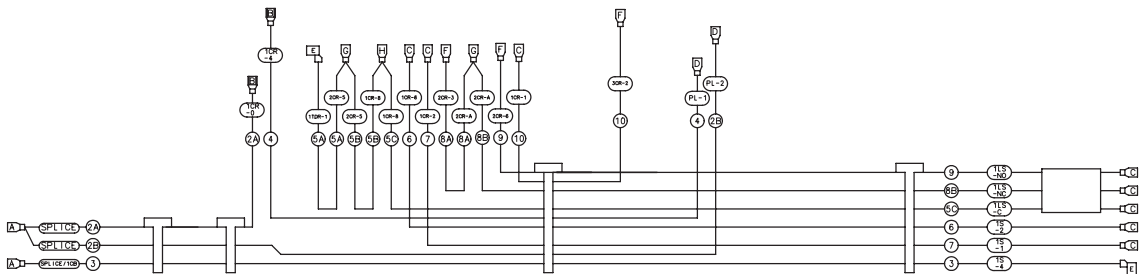
PL-57092

2712	ML-134235
2712C	ML-134237
2712PHS	ML-134238

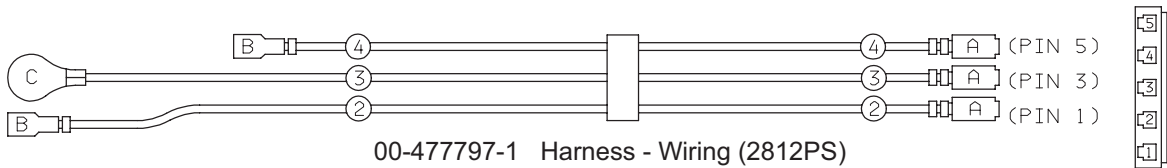
**WIRING HARNESS
(2712 SERIES)**



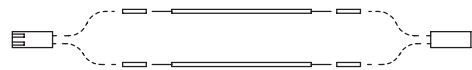
00-875126-1 Harness - Wiring
(2812, ML-134239, 2812PS, ML-134241, & 2812CB, ML-136141)



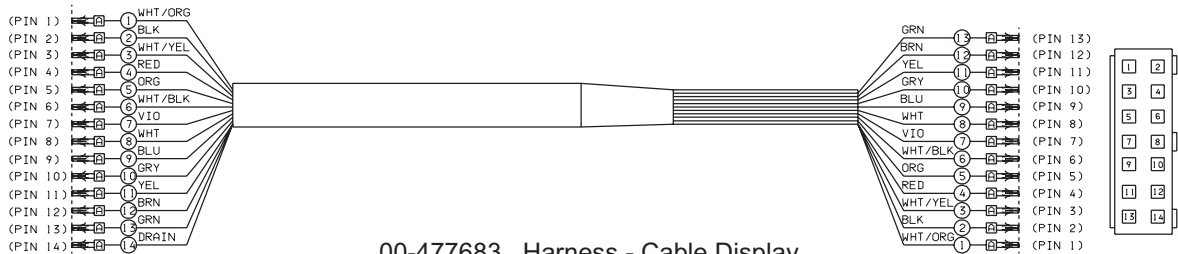
00-914229-1 Harness - Wiring
(With Auto Shutoff And Gauge Reset)
(2812, ML-136110 & 2812PS, ML-136114)



00-477797-1 Harness - Wiring (2812PS)



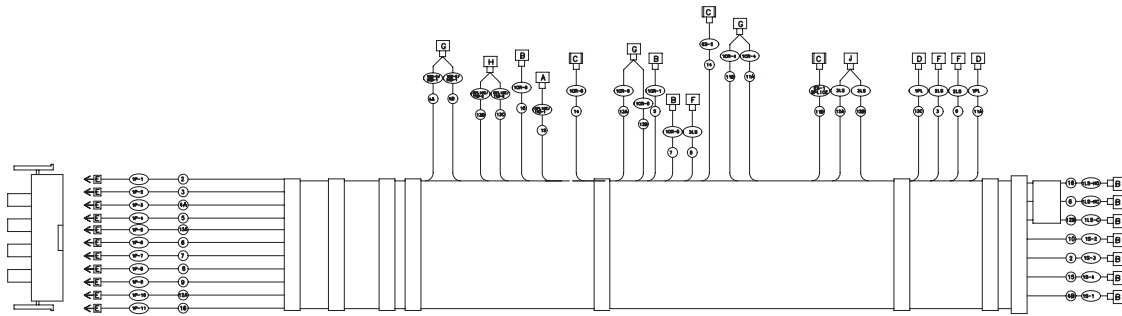
00-478352 Harness - Wiring (2812PS)



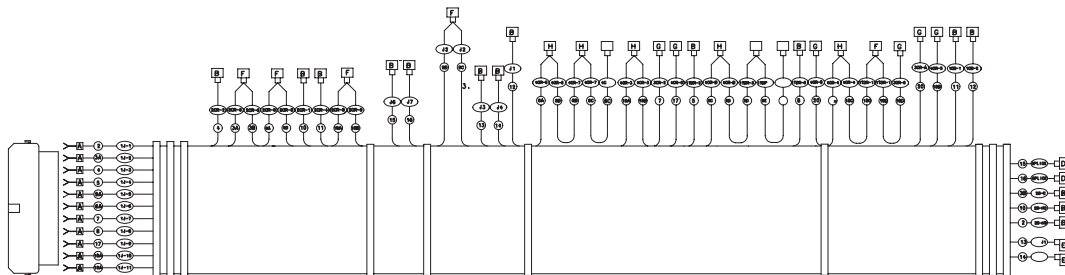
00-477683 Harness - Cable Display
(2812PS, ML-134241)

PL-57697

**WIRING HARNESS
(2812 & 2812PS SERIES)**



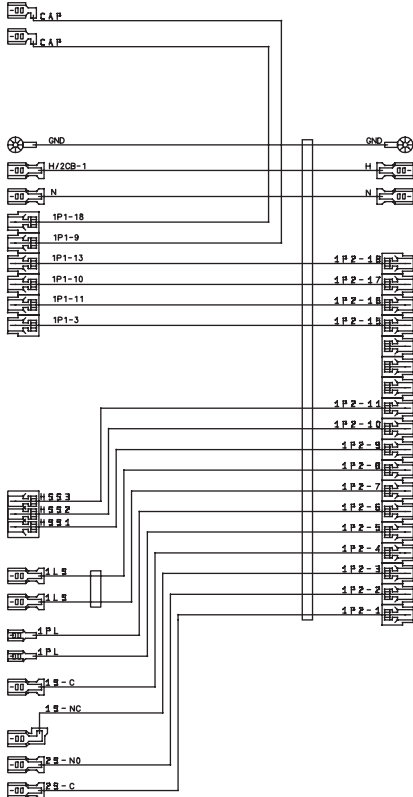
00-914210-1 Harness - Wiring Lower
(With Auto-Off And Gauge Reset)



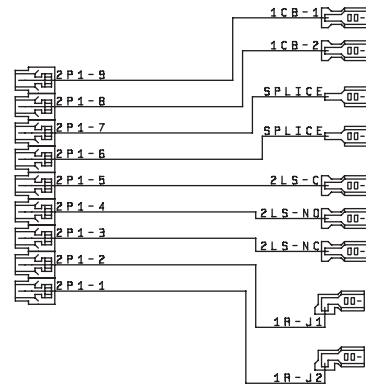
00-914209-1 Harness - Wiring Top
(With Auto-Off And Gauge Reset)

PL-57696

**WIRING HARNESS
(2912, ML-136111)**



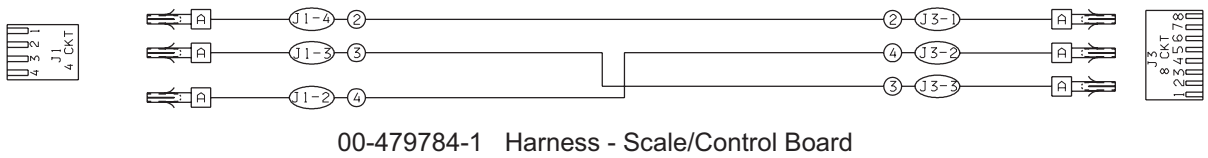
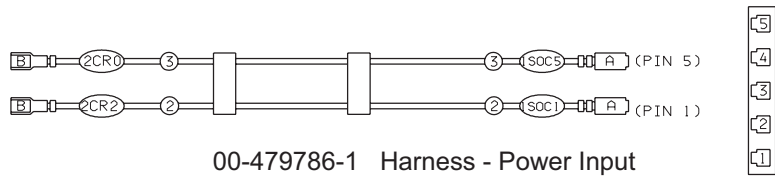
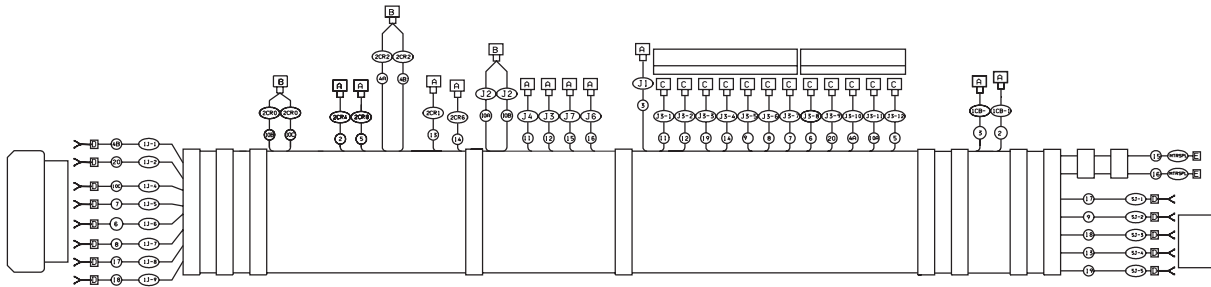
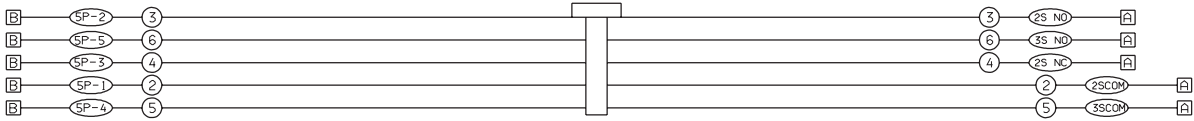
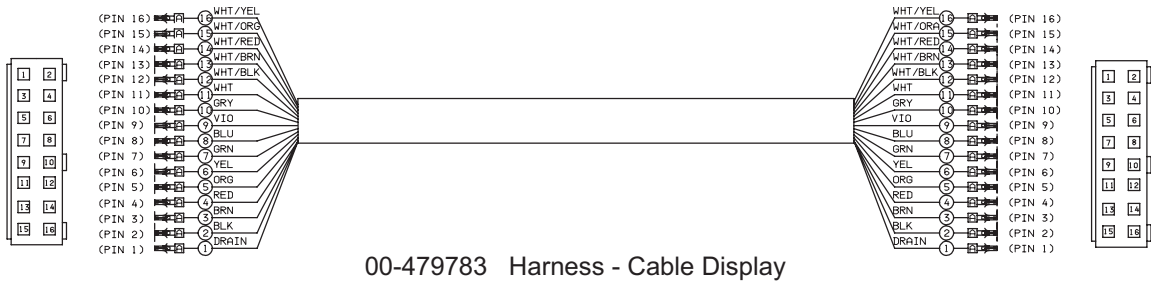
00-873639 Harness - Wire Upper



00-873640 Harness - Wire Lower

PL-57106

**WIRING HARNESS
(2912B, ML-134251)**



PL-57105

**WIRING HARNESS
(2912PS, ML-134247)**

