



CATALOG OF REPLACEMENT PARTS

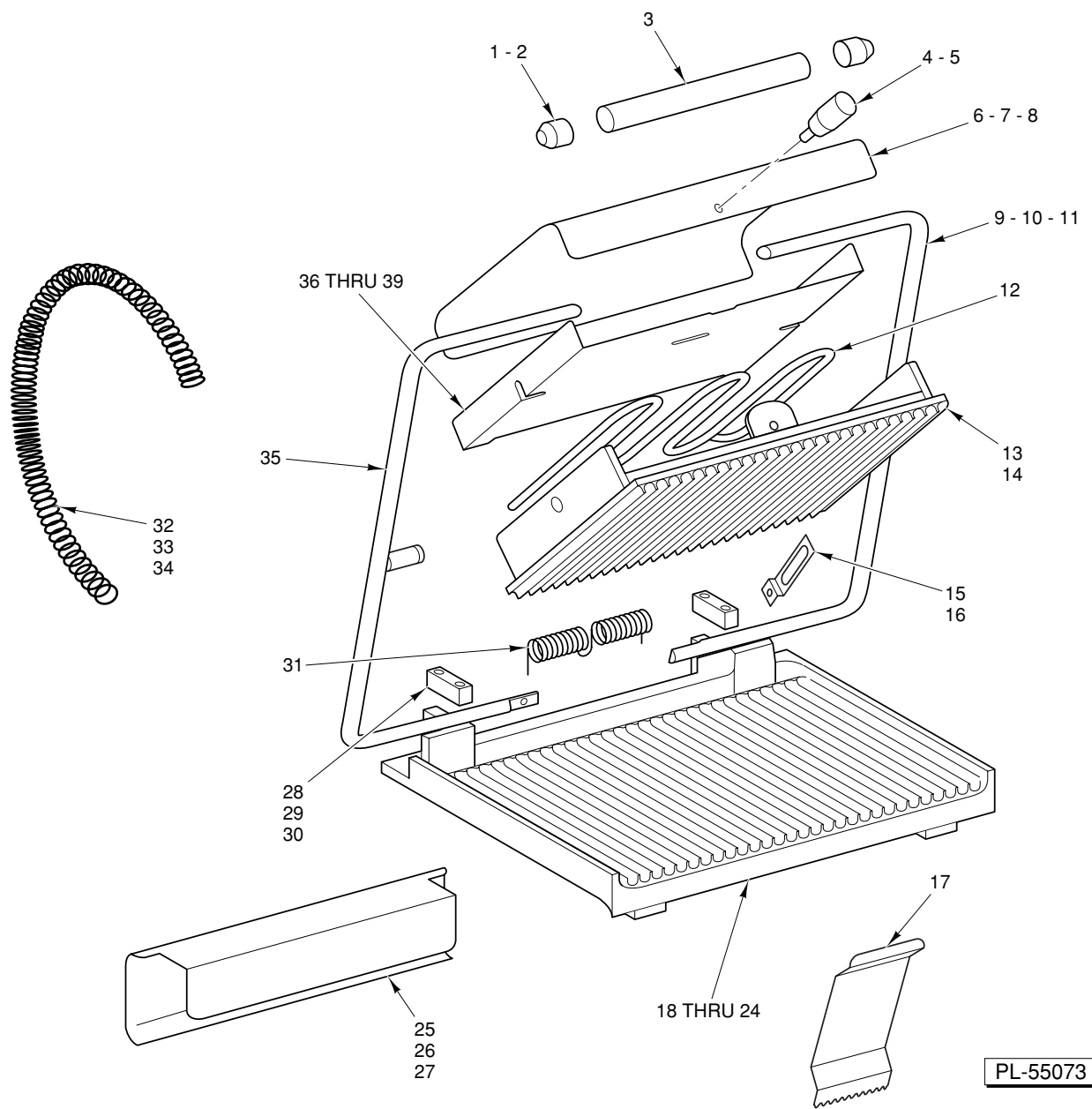


MODEL HCG CONVENIENCE GRILL

HCG1	ML-132000
HCG2	ML-132001
HCG3	ML-132002

TABLE OF CONTENTS

PAGE	DESCRIPTION
3	TABLE OF CONTENTS
5	GRILL (HCG1) (UPPER PORTION)
7	GRILL (HCG1) (LOWER PORTION)
9	GRILL (HCG2) (UPPER PORTION)
11	GRILL (HCG2) (LOWER PORTION)
13	GRILL (HCG3) (UPPER PORTION)
15	GRILL (HCG3) (LOWER PORTION)

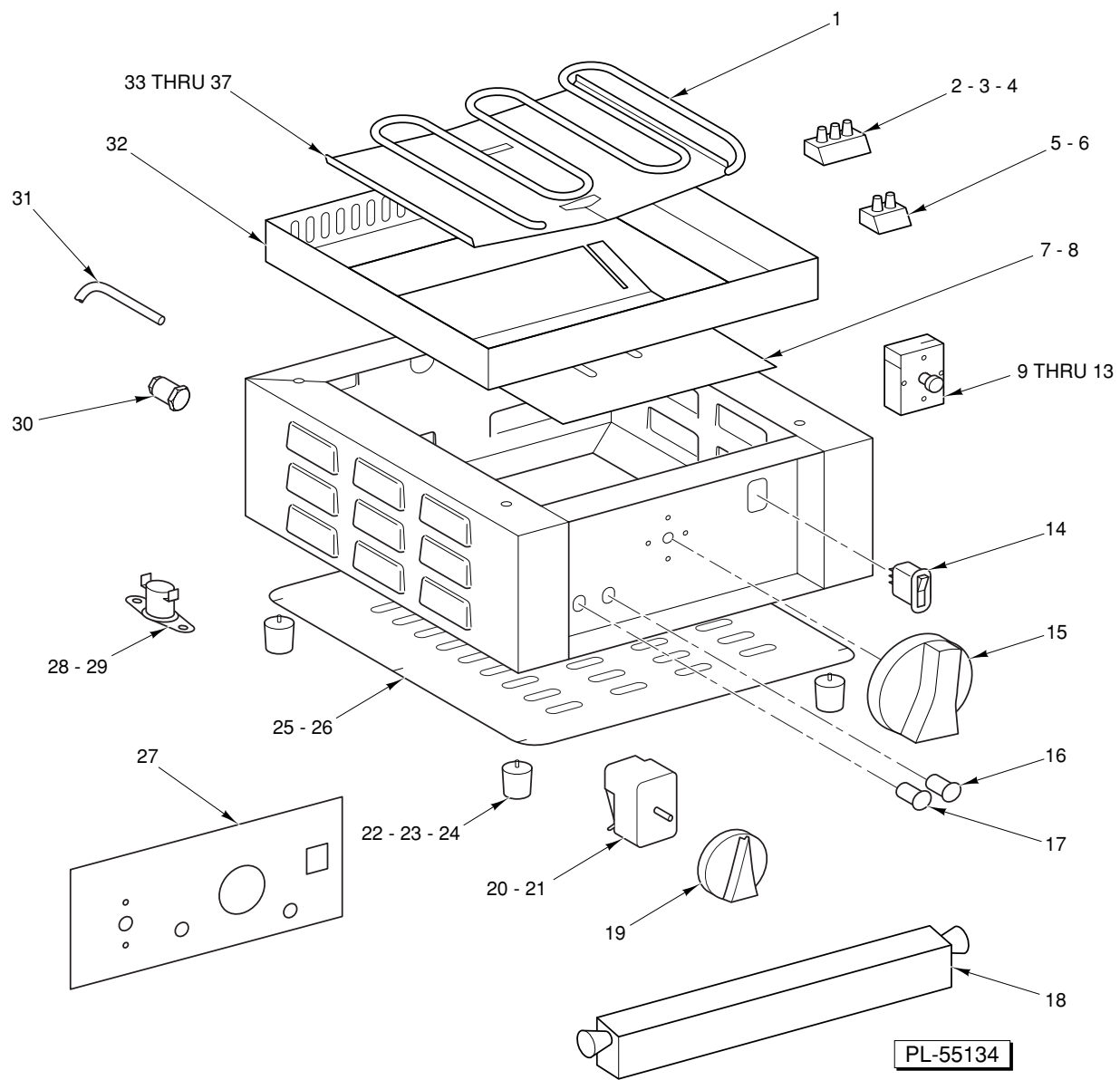


PL-55073

**GRILL (HCG1)
(UPPER PORTION)**

GRILL (HCG1) (UPPER PORTION)

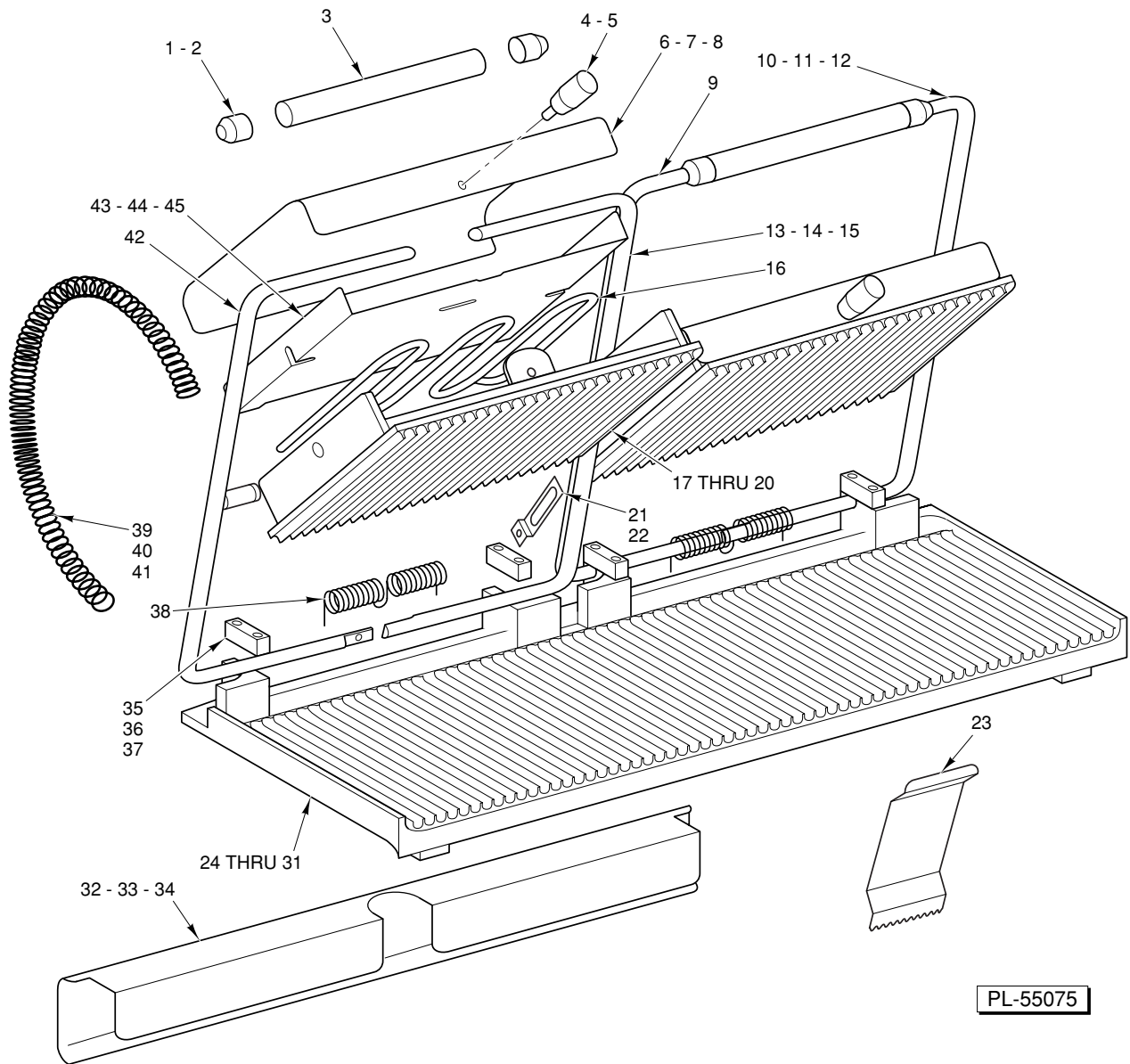
ILLUS. PL-55073	PART NO.	NAME OF PART	AMT.
1	00-877547	Handle - Tip	2
2	SC-124-07	Set Screw - M4x0.7 x 4mm Hdls. Flat Pt.	2
3	00-877546	Handle - Insulated	1
4	00-877536	Knob - Top Plate	1
5	NS-047-13	Nut - M6 x 1.0 Hex SST	1
6	00-877535	Cover - Top	1
7	SC-121-53	Mach. Screw - M6 x 1.0 x 10mm Truss Hd.	1
8	00-438131-00003	Label - Hot Surface	1
9	00-877545	Handle - W/Thread (RIGHT-B)	1
10	SC-127-70	Mach. Screw - M5 x 0.8 x 25mm Phil. Fil. Hd.	1
11	NS-047-37	Nut - M5 x 0.8 Hex SST	1
12	00-877577	Element (Top Heat) 120V.	1
13	00-877531	Top - Cast Iron (Grooved) (GRV-A)	1
14	00-877532	Top - Cast Iron (Smooth) (SMT-A)	1
15	00-877541	Guide - Top Plate	1
16	SC-118-32	Mach. Screw - M5 x 0.8 x 10mm Pan Hd.	2
17	00-877549	Scraper - Groovy	1
18	00-877579	Bottom - Cast Iron (Grooved)	1
19	00-877580	Bottom - Cast Iron (Smooth)	1
20	NS-047-13	Nut - M6 x 1.0 Hex SST	4
21	WS-003-48	Washer - M6 Flat	4
22	WL-019-55	Washer - M6 External Star	4
23	00-877585	Spacer - 17mm	4
24	00-549232	Stud - M6 x 1.0 x 40mm	4
25	00-877581	Cover - Handle Hinge	1
26	00-438131-00033	Label - Disconnect (English)	1
27	00-421908-00002	Label - Disconnect (French)	1
28	00-877540	Block Assy. - Handle Hinge	2
29	SC-121-60	Mach. Screw - M5 x 0.8 x 20mm Truss Hd.	4
30	00-877509	Spring	4
31	00-877539	Spring - Double	1
32	00-877537	Spring - Wire Raceway Girdle	1
33	SC-122-37	Mach. Screw - M4 x 0.7 x 10mm Phil. Pan Hd. SST	2
34	NS-048-46	Nut - Lock Special M4 x 0.7 Hex	2
35	00-877544	Handle - W/O Thread (LEFT-B)	1
36	00-877534	Plate - Press (Top Element)	1
37	WS-003-48	Washer - M6 Flat	2
38	WL-019-55	Washer - M6 External Star	2
39	SC-127-71	Mach. Screw - M6 x 1.0 x 15mm Hex Hd.	2



**GRILL (HCG1)
(LOWER PORTION)**

GRILL (HCG1) (LOWER PORTION)

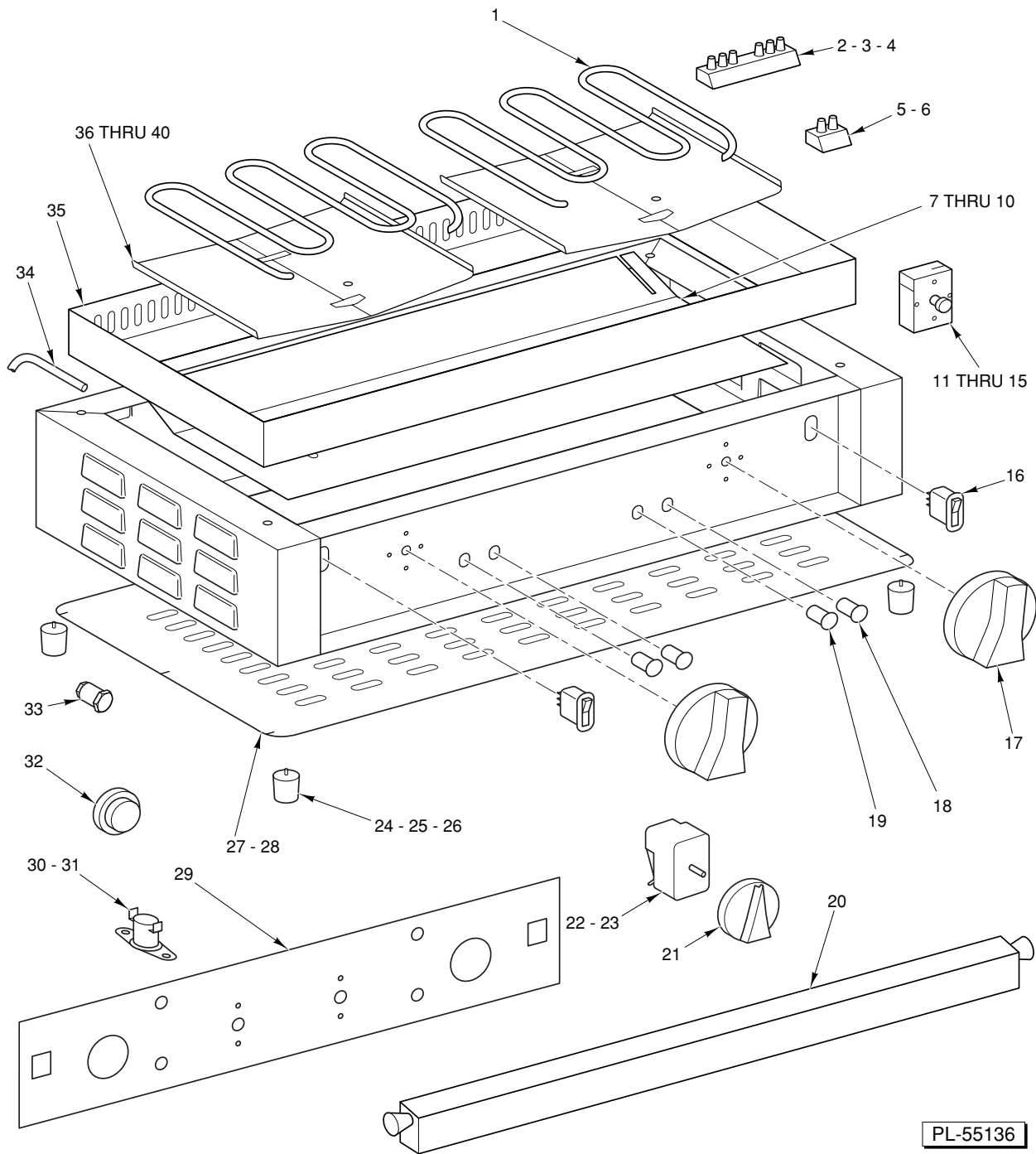
ILLUS. PL-55134	PART NO.	NAME OF PART	AMT.
1	00-877578	Element (Bottom Heating) (120V.)	1
2	00-877552	Terminal Block - (3 Position)	1
3	SD-017-35	Self-Tapping Screw - 6-20 x 5/8 Phil. Bind. Hd., Type AB	1
4	WS-023-47	Washer - #6 Flat	1
5	00-877512	Terminal Block - (2 Position)	1
6	SD-017-35	Self-Tapping Screw - 6-20 x 5/8 Phil. Bind. Hd., Type AB	1
7	00-877591	Shield - Heat	1
8	NS-047-13	Nut - M6 x 1.0 Hex SST	2
9	00-877516	Thermostat - Regulating	1
10	SC-123-28	Mach. Screw - M4 x 0.7 x 8mm Phil. Pan Hd.	2
11	00-877586	Spacer - 4mm	2
12	00-877583	Nut - Speed	1
13	SC-127-74	Mach. Screw - M5 x 0.8 x 12mm Phil. Pan Hd.	1
14	00-877521	Switch Assy. - On/Off	1
15	00-877517	Knob - Thermostat	1
16	00-877553	Pilot Light - (Red) (110V.)	1
17	00-877554	Pilot Light - (Green) (110V.)	1
18	00-877582	Tray - Drip	1
19	00-877515	Knob - Timer	1
20	SD-017-05	Self-Tapping Screw - 6-20 x 5/8 Phil. Bind Hd., Type AB	2
21	00-877514	Timer - (5 Minute)	1
22	00-877513	Foot	4
23	WL-019-32	Lockwasher - 6 External Shakeproof	4
24	SD-017-35	Self-Tapping Screw - 6-20 x 5/8 Phil. Bind. Hd., Type AB	4
25	SD-014-28	Self-Tapping Screw - 6-32 x 5/8 Phil. Pan Hd., Type D	8
26	00-877574	Plate - Bottom	1
27	00-877575	Plate - Face	1
28	00-877520	Thermostat - (High Limit)	1
29	RS-032-64	Pop - Rivet 1/8" x 1/8"	2
30	00-877523	Strain - Relief	1
31	00-877556	Cord, Power (5-15P) (15A, 120V.) (Non-locking)	1
32	00-877576	Frame - Middle	1
33	00-877637	Spacer - 12mm	2
34	NS-047-13	Nut - M6 x 1.0 Hex SST	2
35	WS-003-48	Washer - M6 Flat	2
36	00-877527	Plate - Press (Bottom Element)	1
37	00-549232	Stud - M6 x 1.0 x 40mm	2



**GRILL (HCG2)
(UPPER PORTION)**

GRILL (HCG2) (UPPER PORTION)

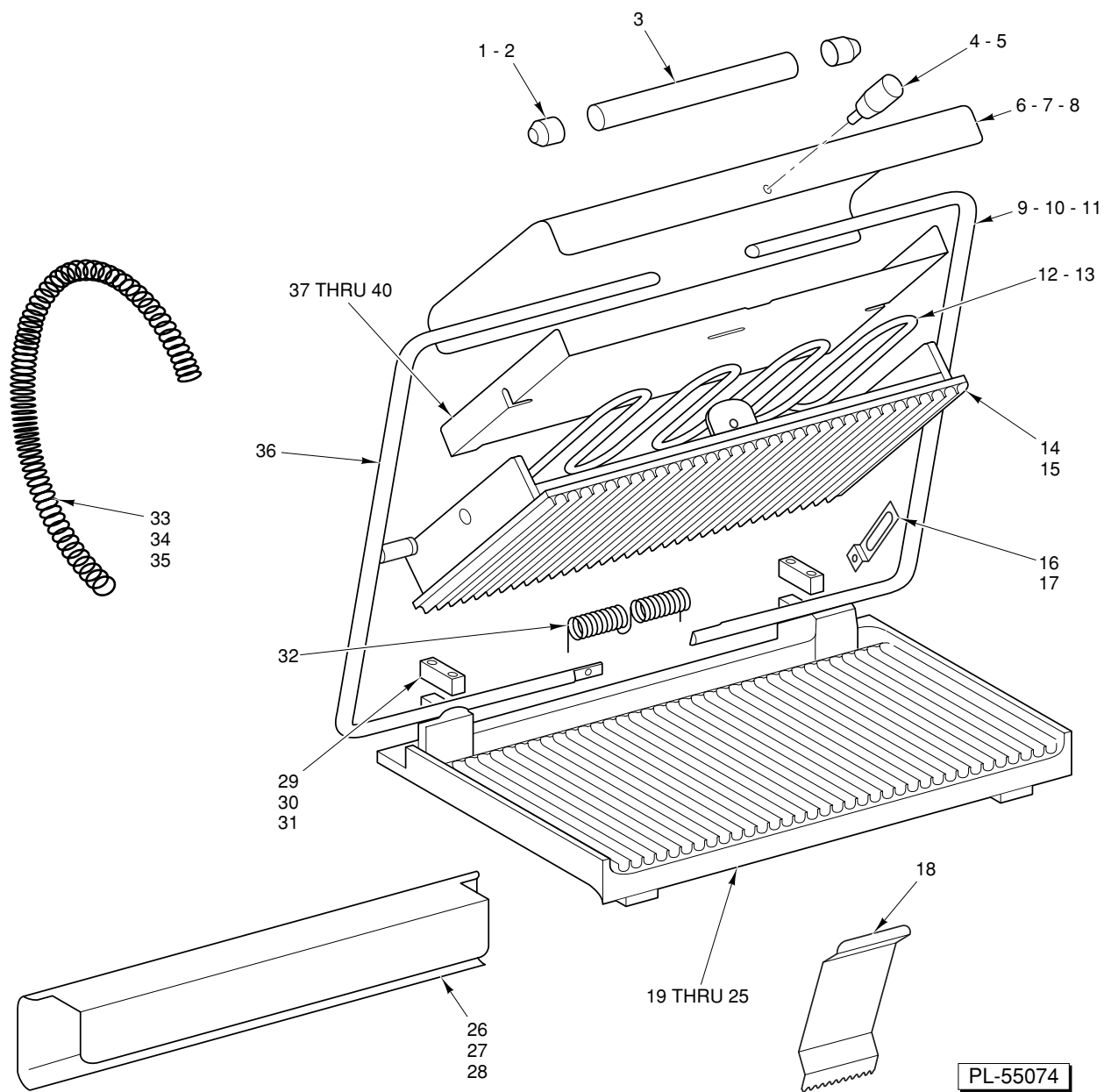
ILLUS. PL-55075	PART NO.	NAME OF PART	AMT.
1	00-877547	Handle - Tip	4
2	SC-124-07	Set Screw - M4x0.7 x 4mm Hdls. Flat Pt.	4
3	00-844546	Handle - Insulated	2
4	00-877536	Knob - Top Plate	2
5	NS-047-13	Nut - M6 x 1.0 Hex SST	2
6	00-877535	Cover - Top	2
7	SC-121-53	Mach. Screw - M6 x 1.0 x 10mm Truss Hd.	2
8	00-438131-00003	Label - Hot Surface	2
9	00-877544	Handle - W/O Thread (LEFT-B)	1
10	00-877545	Handle - W/Thread (RIGHT-B)	1
11	SC-127-70	Mach. Screw - M5 x 0.8 x 25mm Phil. Fil. Hd.	1
12	NS-047-37	Nut - M5 x 0.8 Hex SST	1
13	00-877543	Handle - W/Thread (RIGHT-A)	1
14	SC-127-70	Mach. Screw - M5 x 0.8 x 25mm Phil. Fil. Hd.	1
15	NS-047-37	Nut - M5 x 0.8 Hex SST	1
16	00-877533	Element (Top Heat) S, HCG2	2
17	00-877531	Top - Cast Iron (Grooved) (GRV-A)	1
18	00-877587	Top - Cast Iron (Grooved) (GRV-B)	1
19	00-877532	Top - Cast Iron (Smooth) (SMT-A)	1
20	00-877588	Top - Cast Iron (Smooth) (SMT-B)	1
21	00-877541	Guide - Top Plate	2
22	SC-118-32	Mach. Screw - M5 x 0.8 x 10mm Pan Hd.	4
23	00-877549	Scraper - Groovy	1
24	00-877529	Bottom - Cast Iron (Grooved/Grooved)	1
25	00-877530	Bottom - Cast Iron (Grooved/Smooth)	1
26	00-877589	Bottom - Cast Iron (Smooth/Smooth)	1
27	NS-047-13	Nut - M6 x 1.0 Hex SST	4
28	WS-003-48	Washer - M6 Flat	4
29	WL-019-55	Washer - M6 External Star	4
30	00-877585	Spacer - 17mm	4
31	00-549232	Stud - M6 x 1.0 x 40mm	4
32	00-877538	Cover - Handle Hinge	1
33	00-438131-00033	Label - Disconnect (English)	1
34	00-421908-00002	Label - Disconnect (French)	1
35	00-877540	Block Assy. - Handle Hinge	4
36	SC-121-60	Mach. Screw - M5 x 0.8 x 20mm Truss Hd.	8
37	00-877509	Spring	8
38	00-877539	Spring - Double	2
39	00-877537	Spring - Wire Raceway Girdle	2
40	SC-122-37	Mach. Screw - M4 x 0.7 x 10mm Phil. Pan Hd. SST	4
41	NS-048-46	Nut - Lock Special M4 x 0.7 Hex	4
42	00-877542	Handle - W/O Thread (LEFT-A)	1
43	00-877534	Plate - Press (Top Element)	2
44	WS-031-33	Washer - M6 Flat	4
45	SC-127-71	Mach. Screw - M6 x 1.0 x 15mm Hex Hd.	4



**GRILL (HCG2)
(LOWER PORTION)**

GRILL (HCG2) (LOWER PORTION)

ILLUS. PL-55136	PART NO.	NAME OF PART	AMT.
1	00-877528	Element (Bottom Heating) S	2
2	00-877511	Terminal Block - (6 Position)	1
3	SD-017-35	Self-Tapping Screw - 6-20 x 5/8 Phil. Bind. Hd., Type AB	2
4	WS-023-47	Washer - #6 Flat	2
5	00-877512	Terminal Block - (2 Position)	2
6	SD-017-35	Self-Tapping Screw - 6-20 x 5/8 Phil. Bind. Hd., Type AB	2
7	00-877526	Shield - Heat	1
8	NS-047-13	Nut - M6 x 1.0 Hex SST	4
9	WS-003-48	Washer - M6 Flat	4
10	WL-019-55	Washer - M6 External Star	4
11	00-877516	Thermostat - Regulating	2
12	SC-123-28	Mach. Screw - M4 x 0.7 x 8mm Phil. Pan Hd.	4
13	00-877586	Spacer - 4mm	4
14	00-877583	Nut - Speed	2
15	SC-127-74	Mach. Screw - M5 x 0.8 x 12mm Phil. Pan Hd.	2
16	00-877521	Switch Assy. - On/Off	2
17	00-877517	Knob - Thermostat	2
18	00-877518	Pilot Light - (Red) (220V.)	2
19	00-877519	Pilot Light - (Green) (220V.)	2
20	00-877548	Tray - Drip	1
21	00-877515	Knob - Timer	2
22	SD-017-05	Self-Tapping Screw - 6-20 x 5/8 Phil. Bind Hd., Type AB	4
23	00-877514	Timer - (5 Minute)	2
24	00-877513	Foot	4
25	WL-019-32	Lockwasher - 6 External Shakeproof	4
26	SD-017-35	Self-Tapping Screw - 6-20 x 5/8 Phil. Bind. Hd., Type AB	4
27	SD-014-28	Self-Tapping Screw - 6-32 x 5/8 Phil. Pan Hd., Type D	8
28	00-877510	Plate - Bottom	1
29	00-877525	Plate - Face	1
30	00-877520	Thermostat - (High Limit)	2
31	RS-032-64	Pop - Rivet 1/8" x 1/8"	4
32	00-877524	Plug - Rubber	1
33	00-877523	Strain - Relief	1
34	00-877522	Cord - Power (L6-30P) (30A) (208-240V.) (Non-locking)	1
35	00-877550	Frame - Middle	1
36	00-877584	Spacer - 10mm	4
37	00-877527	Plate - Press (Bottom Element)	2
38	00-549232	Stud - M6 x 1.0 x 40mm	4
39	NS-047-13	Nut - M6 x 1.0 Hex SST	4
40	WS-003-48	Washer - M6 Flat	4

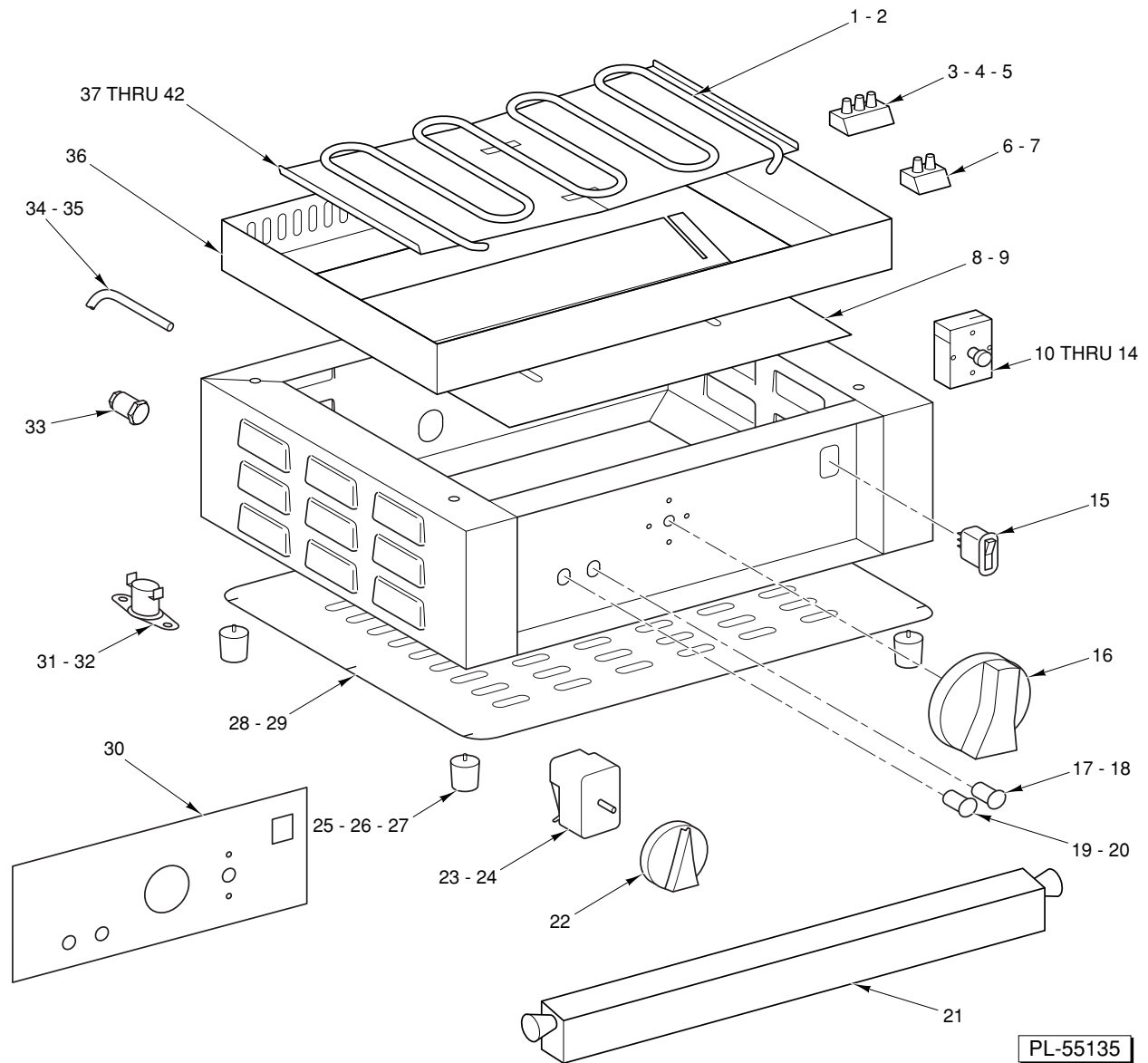


**GRILL (HCG3)
(UPPER PORTION)**

PL-55074

GRILL (HCG3) (UPPER PORTION)

ILLUS. PL-55074	PART NO.	NAME OF PART	AMT.
1	00-877547	Handle - Tip	2
2	SC-124-07	Set Screw - M4x0.7 x 4mm Hdls. Flat Pt.	2
3	00-844546	Handle - Insulated	1
4	00-877536	Knob - Top Plate	1
5	NS-047-13	Nut - M6 x 1.0 Hex SST	1
6	00-877569	Cover - Top	1
7	SC-121-53	Mach. Screw - M6 x 1.0 x 10mm Truss Hd.	1
8	00-438131-00003	Label - Hot Surface	1
9	00-877572	Handle - W/Thread	1
10	SC-127-70	Mach. Screw - M5 x 0.8 x 25mm Phil. Fil. Hd.	1
11	NS-047-37	Nut - M5 x 0.8 Hex SST	1
12	00-877566	Element - (Top Heat) (220V.)	1
13	00-877567	Element - (Top Heat) (120V.)	1
14	00-877564	Top - Cast Iron (Grooved) (GRV-A)	1
15	00-877565	Top - Cast Iron (Smooth) (SMT-A)	1
16	00-877541	Guide - Top Plate	1
17	SC-118-32	Mach. Screw - M5 x 0.8 x 10mm Pan Hd.	2
18	00-877549	Scraper - Groovy	1
19	00-877562	Bottom - Cast Iron (Grooved)	1
20	00-877563	Bottom - Cast Iron (Smooth)	1
21	NS-047-13	Nut - M6 x 1.0 Hex SST	4
22	WS-003-48	Washer - M6 Flat	4
23	WL-019-55	Washer - M6 External Star	4
24	00-877585	Spacer - 17mm	4
25	00-549232	Stud - M6 x 1.0 x 40mm	4
26	00-877570	Cover - Handle Hinge	1
27	00-438131-00033	Label - Disconnect (English)	1
28	00-421908-00002	Label - Disconnect (French)	1
29	00-877540	Block Assy. - Handle Hinge	2
30	SC-121-60	Mach. Screw - M5 x 0.8 x 20mm Truss Hd.	4
31	00-877509	Spring	4
32	00-877539	Spring - Double	1
33	00-877537	Spring - Wire Raceway Girdle	1
34	SC-122-37	Mach. Screw - M4 x 0.7 X 10mm Phil. Pan Hd. SST	2
35	NS-048-46	Nut - Lock Special M4 x 0.7 Hex	2
36	00-877571	Handle - W/O Thread	1
37	00-877568	Plate - Press (Top Element)	1
38	WS-003-48	Washer - M6 Flat	4
39	SC-122-10	Cap Screw - M6 X 1.0 x 8mm Soc. Hd. SST (Ends of pressure plate)	2
40	SC-121-82	Cap Screw - M6 x 1.0 x10mm Hex Hd. (Middle of pressure plate)	2



**GRILL (HCG3)
(LOWER PORTION)**

GRILL (HCG3) (LOWER PORTION)

ILLUS. PL-55135	PART NO.	NAME OF PART	AMT.
1	00-877560	Element - (Bottom Heating) (220V.)	1
2	00-877561	Element - (Bottom Heating) (120V.)	1
3	00-877552	Terminal Block - (3 Position)	1
4	SD-017-35	Self-Tapping Screw - 6-20 x 5/8 Phil. Bind. Hd., Type AB	1
5	WS-023-47	Washer - #6 Flat	1
6	00-877512	Terminal Block - (2 Position)	1
7	SD-017-35	Self-Tapping Screw - 6-20 x 5/8 Phil. Bind. Hd., Type AB	1
8	00-877590	Shield - Heat	1
9	NS-047-13	Nut - M6 x 1.0 Hex SST	2
10	00-877516	Thermostat - Regulating	1
11	SC-123-28	Mach. Screw - M4 x 0.7 x 8mm Phil. Pan Hd.	2
12	00-877586	Spacer - 4mm	2
13	00-877583	Nut - Speed	1
14	SC-127-74	Mach. Screw - M5 x 0.8 x 12mm Phil. Pan Hd.	1
15	00-877521	Switch Assy. - On/Off	1
16	00-877517	Knob - Thermostat	1
17	00-877518	Pilot Light - (Red) (220V.)	1
18	00-877553	Pilot Light - (Red) (110V.)	1
19	00-877519	Pilot Light - (Green) (220V.)	1
20	00-877554	Pilot Light - (Green) (110V.)	1
21	00-877573	Tray - Drip	1
22	00-877515	Knob - Timer	1
23	SD-017-05	Self-Tapping Screw - 6-20 x 5/8 Phil. Bind Hd., Type AB	2
24	00-877514	Timer - (5 Minute)	1
25	00-877513	Foot	4
26	WL-019-32	Lockwasher - 6 External Shakeproof	4
27	SD-017-35	Self-Tapping Screw - 6-20 x 5/8 Phil. Bind. Hd., Type AB	4
28	SD-014-28	Self-Tapping Screw - 6-32 x 3/8 Phil. Pan Hd., Type D	8
29	00-877551	Plate - Bottom	1
30	00-877557	Plate - Face	1
31	00-877520	Thermostat - (High Limit)	1
32	RS-032-64	Pop - Rivet 1/8" x 1/8"	2
33	00-877523	Strain - Relief	1
34	00-877555	Cord - Power (6-15P) (15A, 208-240V.) (Non-locking)	1
35	00-877556	Cord - Power (5-15P) (15A, 120V.) (Non-locking)	1
36	00-877558	Frame - Middle	1
37	00-877637	Spacer - 12mm	2
38	WS-003-48	Washer - M6 Flat	6
39	SC-121-82	Cap Screw - M6 x 1.0 x 10mm Hex Hd. (Middle of pressure plate)	2
40	00-877559	Plate - Press (Bottom Element)	1
41	00-549232	Stud - M6 x 1.0 x 40mm	2
42	NS-047-13	Nut - M6 x 1.0 Hex SST	2

