



# CATALOG OF REPLACEMENT PARTS

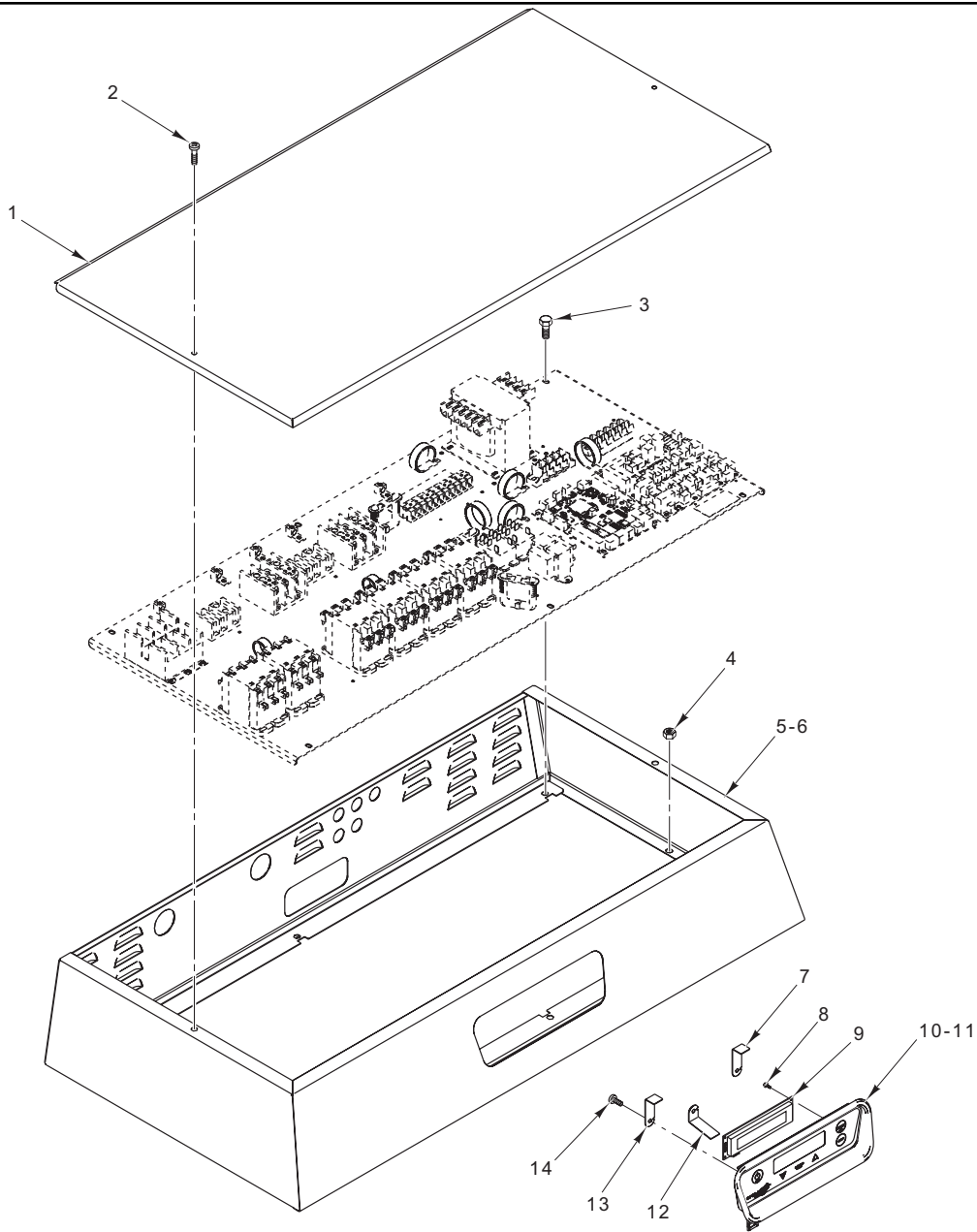


## CL44e AND CL54e SERIES DISHWASHERS

CL44e (R-L)	ML-138101
CL44e (L-R)	ML-138102
CL54e (R-L)	ML-138105
CL54e (L-R)	ML-138106

## TABLE OF CONTENTS

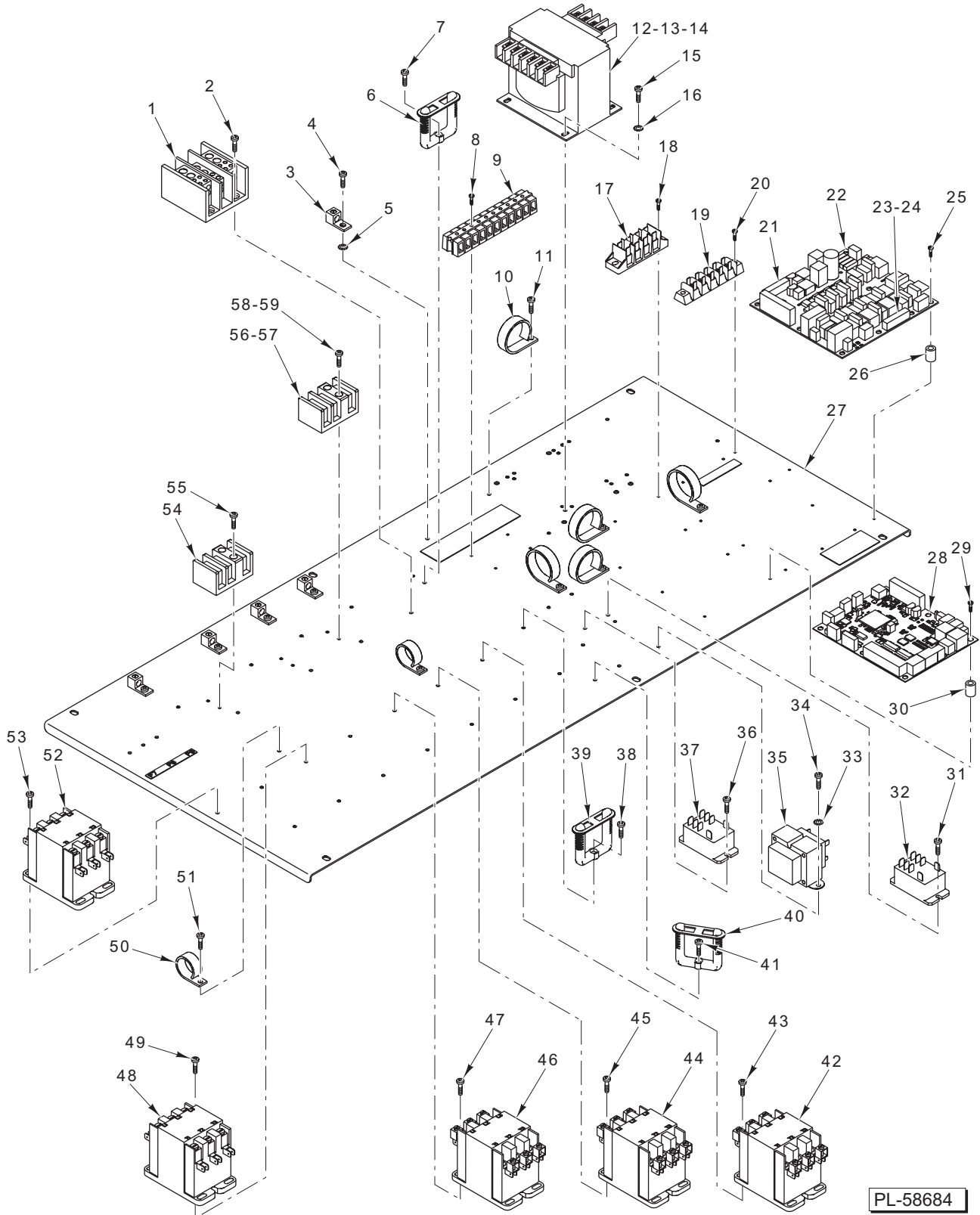
3	CONTROL BOX
5	COMPONENT PANEL
7	WASH MOTOR AND PUMP UNIT
9	CONVEYOR DRIVE MOTOR
11	CONVEYOR DRIVE
13	CONVEYOR
15	UPPER WASH ARM
17	LOWER WASH ARM
19	RINSE PIPING
21	DRAIN (ON CL44e AND CL54e)
23	WASH TANK DRAIN (ON CLPS66e AND CLPS76e)
25	DOORS
27	VENT HOOD
29	ELECTRIC HEAT AND FLOATS
31	WIREWAY
33	BOOSTER
35	INCOMING WATER AND BOOSTER SUPPORT
37	LOWER PANELS
39	CL54e FLOWBACK AND PANELS



PL-58683

**CONTROL BOX**

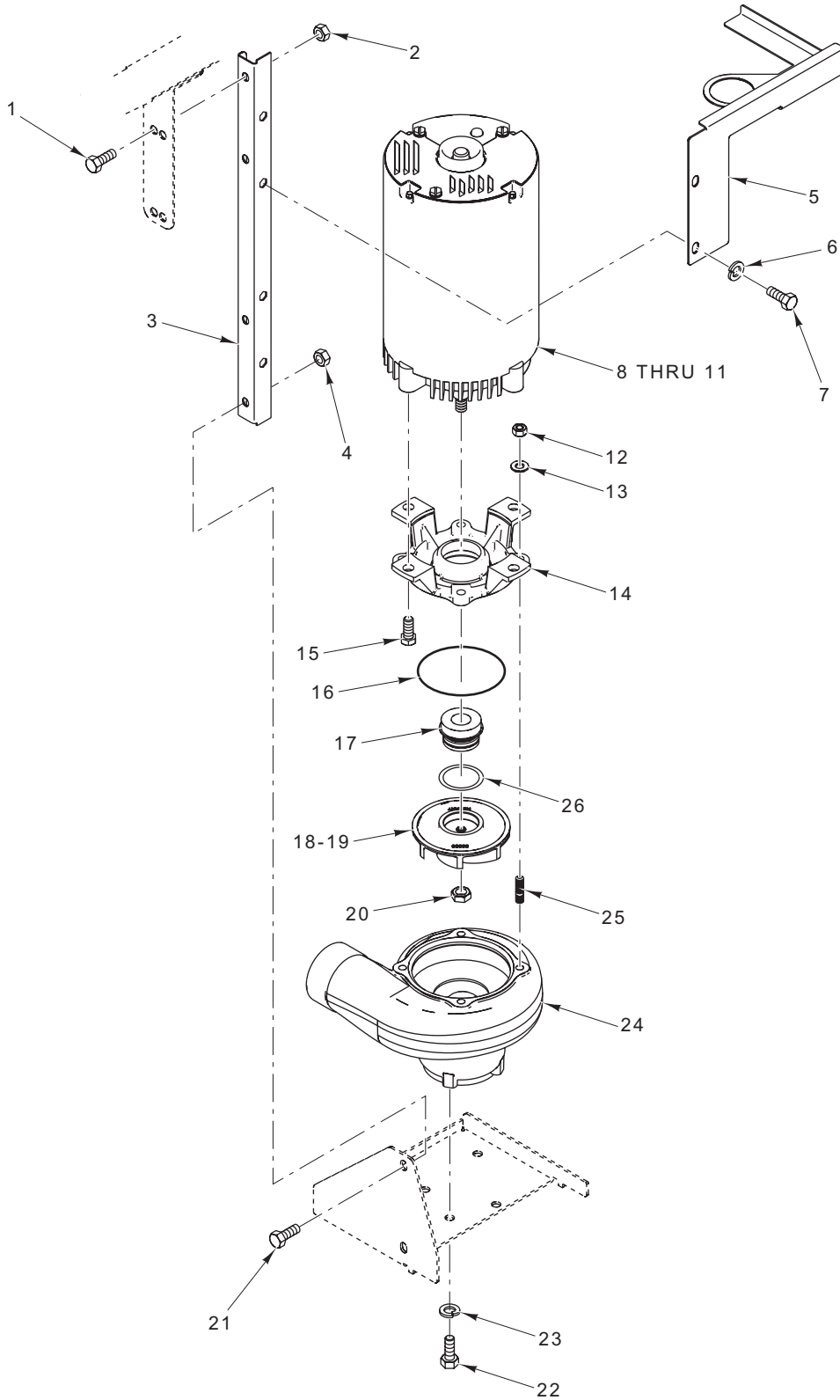
ILLUS.	PART NO.	NAME OF PART	AMT.
PL-58683			
1	00-919767	Lid – Control Box .....	1
2	SC-125-15	Mach. Screw 1/4-20 x 1/2 Phil. Truss Hd. ....	2
3	SC-041-05	Cap Screw 1/4-20 x 5/8 Hex Hd. (SST) .....	6
4	NS-031-19	Stop Nut 1/4-20 Hex (SST).....	7
5	00-936419-00001	Control Box (R-L).....	1
6	00-936419-00002	Control Box (L-R).....	1
7	00-919938	Bracket – Bezel Mounting .....	1
8	00-893777-00001	Self-Tapping Screw (Thread Forming).....	4
9	00-918409	Display – Graphic 140 x 16.....	1
10	00-936557-00001	Bezel & Keypad Assy. ....	1
11	00-936557-00002	Bezel & Keypad Assy. (Bilingual) .....	1
12	00-936154	Bracket – Lower Bezel Mounting .....	1
13	00-919938	Bracket – Bezel Mounting .....	1
14	SC-066-05	Mach. Screw 10-24 x 3/8 Phil. Truss Hd. ....	3



**COMPONENT PANEL**

## COMPONENT PANEL

ILLUS.	PART NO.	NAME OF PART	AMT.
	PL-58684		
1	00-119031	Block -Terminal (Booster Only).....	1
2	SD-008-25	Self-Tapping Screw 10-16 x 1/2 Phil. Pan Hd., Type B (Booster Only).....	2
3	00-118544-00002	Lug – Solderless.....	AR
4	SD-008-25	Self-Tapping Screw 10-16 x 1/2 Phil. Pan Hd., Type B.....	AR
5	WL-014-07	Lockwasher #10 External (SST).....	AR
6	00-476946-00001	Clamp – D With Keeper Bar.....	1
7	SD-008-25	Self-Tapping Screw 10-16 x 1/2 Phil. Pan Hd., Type B.....	1
8	SD-019-29	Self-Tapping Screw 6-20 x 1/2 Phil. Pan Hd., Type B.....	2
9	00-814301-00003	Block – Terminal.....	1
10	00-294677-00005	Clamp – Wire 1 1/2 In.....	5
11	SD-008-25	Self-Tapping Screw 10-16 x 1/2 Phil. Pan Hd., Type B.....	5
12	00-294500-046-1	Transformer (150 VA, 50/60 Hz.).....	1
13	00-294325-046-2	Transformer (300 VA, 50 Hz.) (Machines With 30 kW Booster).....	1
14	00-294500-024-4	Transformer (150 VA, 60 Hz. Only).....	1
15	SD-008-25	Self-Tapping Screw 10-16 x 1/2 Phil. Pan Hd., Type B.....	4
16	WL-014-07	Lockwasher #10 External (SST).....	4
17	00-936138	Block Terminal – Single Row.....	1
18	SD-038-02	Self-Tapping Screw 6-20 x 5/8 Phil. Pan Hd., Type B.....	2
19	00-919742	Block Terminal – Single Row.....	1
20	SD-019-29	Self-Tapping Screw 6-20 x 1/2 Phil. Pan Hd., Type B.....	2
21	FE-016-40	Fuse (1.0 Amp., 250 V.) (F2).....	1
22	00-919472-00002	Board Assy. – Relay (Incls. Items 20 & 21).....	1
23	FE-022-39	Fuse (1.5 Amp., 250 V.) (F1) (Use With 150 VA Transformer).....	1
24	FE-021-19	Fuse (3.2 Amp., 250 V.) (F1) (Use With 300 VA Trans., 50 Hz., & 30 kW Booster).....	1
25	SD-038-02	Self-Tapping Screw 6-20 x 5/8 Phil. Pan Hd., Type B.....	4
26	00-476653	Spacer – Circuit Board.....	7
27	00-936181	Base Plate – Control Box.....	1
28	00-919471-00002	Board Assy. – Control.....	1
29	SD-038-02	Self-Tapping Screw 6-20 x 5/8 Phil. Pan Hd., Type B.....	4
30	00-476653	Spacer – Circuit Board.....	6
31	SD-008-18	Self-Tapping Screw 8-18 x 3/8 Phil. Bndg. Hd., Type B.....	2
32	00-087714-046-1	Relay – 2-Pole (30 Amp.).....	1
33	WL-014-07	Lockwasher #10 External (SST).....	2
34	SD-008-18	Self-Tapping Screw 8-18 x 3/8 Phil. Bndg. Hd., Type B.....	2
35	00-294500-00056	Transformer (30 VA, 50/60 Hz.).....	1
36	SD-008-18	Self-Tapping Screw 8-18 x 3/8 Phil. Bndg. Hd., Type B.....	2
37	00-087714-046-1	Relay – 2-Pole (30 Amp.).....	1
38	SD-008-25	Self-Tapping Screw 10-16 x 1/2 Phil. Pan Hd., Type B.....	1
39	00-476946-00001	Clamp – D With Keeper Bar.....	1
40	00-476946-00001	Clamp – D With Keeper Bar.....	1
41	SD-008-25	Self-Tapping Screw 10-16 x 1/2 Phil. Pan Hd., Type B.....	1
42	00-918322	Contactactor (40 Amp., 2-Pole) (15 kW or 30 kW Booster Only).....	1
43	SD-008-25	Self-Tapping Screw 10-16 x 1/2 Phil. Pan Hd., Type B.....	2
44	00-918322	Contactactor (40 Amp., 2-Pole) (30 kW Booster Only).....	1
45	SD-008-25	Self-Tapping Screw 10-16 x 1/2 Phil. Pan Hd., Type B.....	2
46	00-918322	Contactactor (40 Amp., 2-Pole).....	1
47	SD-008-25	Self-Tapping Screw 10-16 x 1/2 Phil. Pan Hd., Type B.....	2
48	00-087713-040-2	Contactactor (30 Amp., 3-Pole).....	1
49	SD-008-25	Self-Tapping Screw 10-16 x 1/2 Phil. Pan Hd., Type B.....	2
50	00-294677-00004	Clamp – Wire 1 In.....	2
51	SD-008-25	Self-Tapping Screw 10-16 x 1/2 Phil. Pan Hd., Type B.....	2
52	00-087713-040-2	Contactactor (30 Amp., 3-Pole).....	1
53	SD-008-25	Self-Tapping Screw 10-16 x 1/2 Phil. Pan Hd., Type B.....	2
54	00-294325-015-1	Block – Terminal.....	1
55	SD-008-36	Self-Tapping Screw 8-18 x 7/8 Phil. Pan Hd., Type B.....	2
56	00-294325-015-1	Block – Terminal (50/60 Hz., 3 Ph.) (Use Item 58).....	1
57	00-119031	Block – Terminal (60 Hz., 1 Ph.) (Use Item 59).....	1
58	SD-008-36	Self-Tapping Screw 8-18 x 7/8 Phil. Rd. Hd., Type B.....	2
59	SD-008-25	Self-Tapping Screw 10-16 x 1/2 Phil. Pan Hd., Type B.....	2

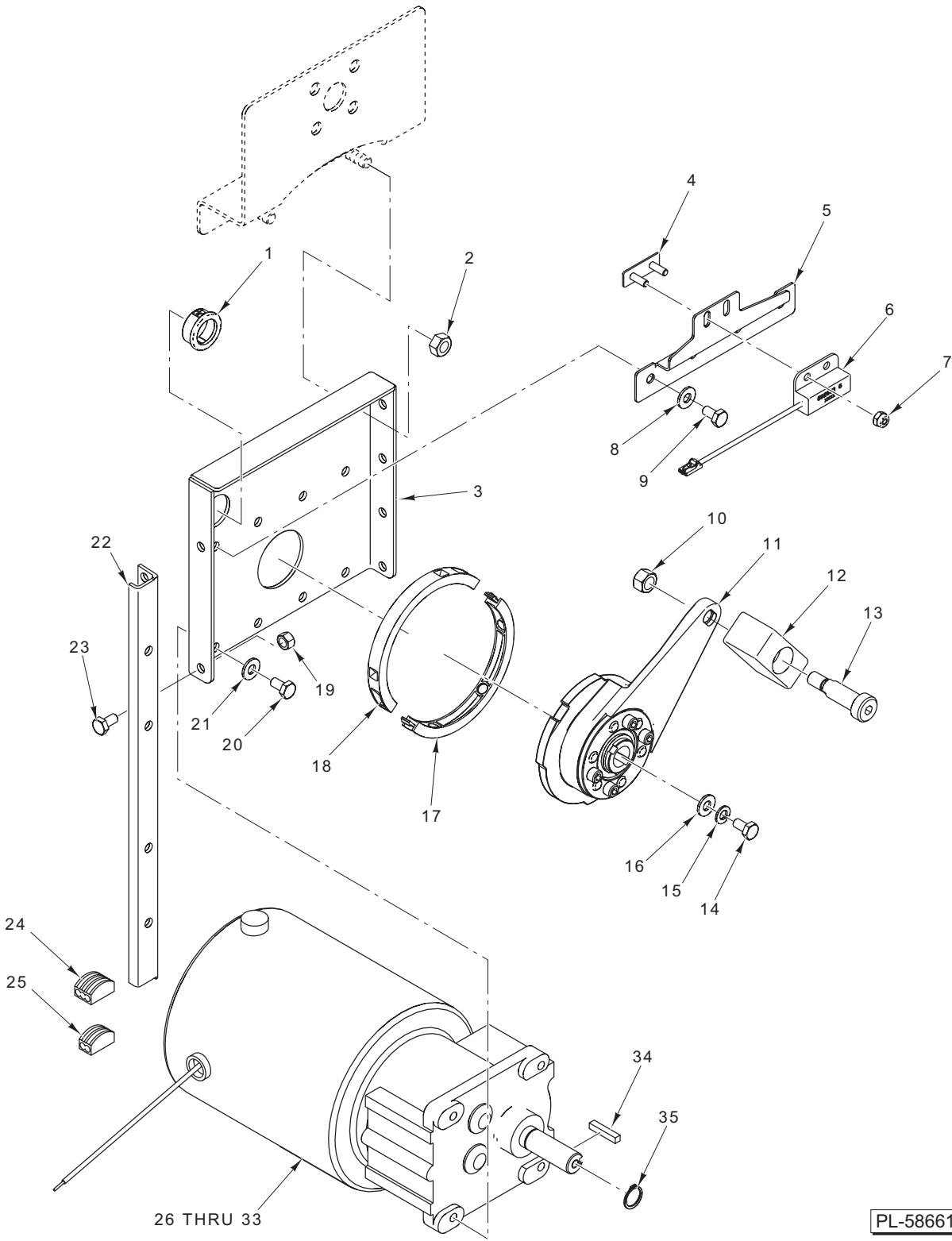


PL-58688

**WASH MOTOR AND PUMP UNIT**

## WASH MOTOR AND PUMP UNIT

ILLUS.	PART NO.	NAME OF PART	AMT.
PL-58688			
1	SC-041-10	Cap Screw $\frac{5}{16}$ -18 x $\frac{5}{8}$ Hex Hd. (SST)	2
2	NS-036-19	Stop Nut $\frac{5}{16}$ -18 (SST)	2
3	00-919621	Support – Frame	1
4	NS-036-19	Stop Nut $\frac{5}{16}$ -18 (SST)	2
5	00-919631	Support Strap – Motor	1
6	WL-006-17	Lockwasher $\frac{1}{4}$ Helical	2
7	SC-041-50	Cap Screw $\frac{1}{4}$ -20 x $\frac{1}{2}$ Hex Hd. (SST)	2
8	00-893039-00008	Motor (208-240/480 V., 60 Hz., 3 Ph.)	1
9	00-893039-00009	Motor (208-240 V., 60 Hz., 1 Ph.)	1
10	00-893039-00010	Motor (240-380 V., 50 Hz., 3 Ph.)	1
11	00-919229-00008	Motor (600 V., 60 Hz., 3 Ph.)	1
12	NS-015-11	Nut $\frac{5}{16}$ -18 Hex (SST)	4
13	WS-005-32	Washer (SST)	4
14	00-919229-00001	Adapter – Pump Motor	1
15	SC-041-29	Cap Screw $\frac{3}{8}$ -16 x $\frac{7}{8}$ Hex Hd. (SST)	4
16	00-067500-00152	O-Ring	1
17	00-274227-00006	Seal – Shaft	1
18	00-919229-00004	Impeller (60 Hz.)	1
19	00-919229-00005	Impeller (50 Hz.)	1
20	00-893039-00003	Jam Nut $\frac{7}{16}$ -20 (Pump)	1
21	SC-041-10	Cap Screw $\frac{5}{16}$ -18 x $\frac{5}{8}$ Hex Hd. (SST)	2
22	SC-041-50	Cap Screw $\frac{1}{4}$ -20 x $\frac{1}{2}$ Hex Hd. (SST)	4
23	WL-006-17	Lockwasher $\frac{1}{4}$ Helical (SST)	4
24	00-919229-00002	Pump – Involute	1
25	00-919229-00003	Stud $\frac{5}{16}$ -18 x $1\frac{1}{8}$	4
26	00-936608	Shim Kit (Incls. 0.005 In. Thk., Qty. 2; 0.015 In. Thk., Qty. 1; Gauge)	AR



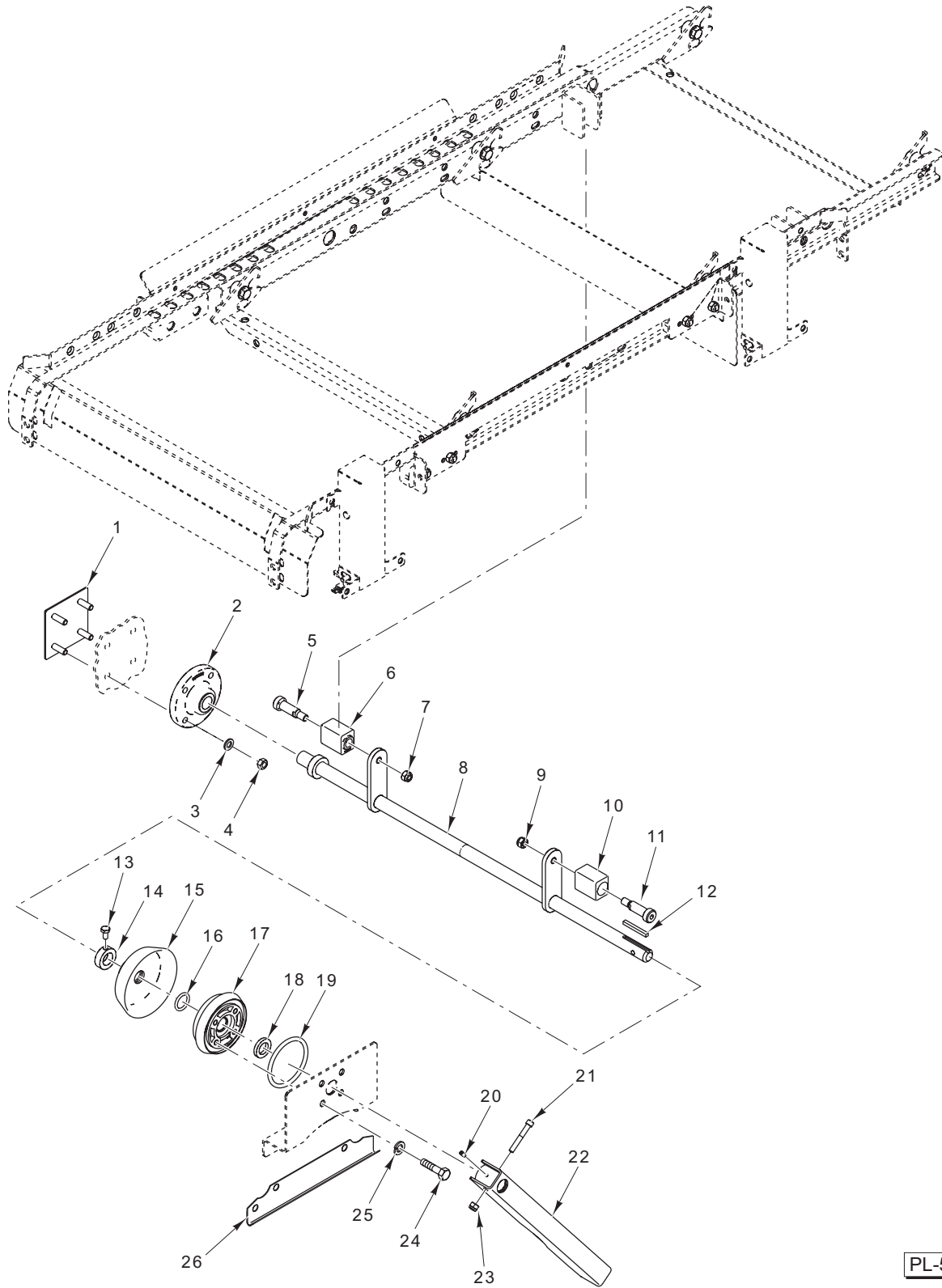
PL-58661

**CONVEYOR DRIVE MOTOR**



## CONVEYOR DRIVE MOTOR

ILLUS.	PART NO.	NAME OF PART	AMT.
PL-58661			
1	FE-022-40	Bushing – Electric Snap (3/4 In.).....	1
2	NS-036-19	Stop Nut 5/16-18 (SST).....	2
3	00-919602	Bracket – Motor Mount .....	1
4	00-892570	Plate – Sensor Mounting .....	1
5	00-919697	Bracket – Sensor .....	1
6	00-892533	Sensor – Latching Hall.....	1
7	NS-031-15	Stop Nut 10-24 Hex (SST).....	2
8	WL-006-17	Lockwasher 1/4 Helical (SST).....	2
9	SC-041-05	Cap Screw 1/4-20 x 5/8 Hex Hd. (SST).....	2
10	NS-048-86	Lock Nut 3/8-16 Flexloc (SST).....	1
11	00-918930	Drive Clutch Assy.....	1
12	00-935991	Slide – Crank Drive.....	1
13	00-918991	Screw – Shoulder Block.....	1
14	SC-041-05	Cap Screw 1/4-20 x 5/8 Hex Hd. (SST).....	1
15	WL-006-17	Lockwasher 1/4 Helical (SST).....	1
16	WS-017-01	Washer (SST).....	1
17	00-892024-00001	Housing Ring – Magnet (Male).....	1
18	00-892024-00002	Housing Ring – Magnet (Female).....	1
19	NS-036-19	Stop Nut 5/16-18 (SST).....	2
20	SC-041-05	Cap Screw 1/4-20 x 5/8 Hex Hd. (SST).....	2
21	WL-006-17	Lockwasher 1/4 Helical (SST).....	2
22	00-919621	Support – Frame.....	1
23	SC-041-10	Cap Screw 5/16-18 x 5/8 Hex Hd. (SST).....	2
24	00-557975	Connector – Wire Terminal Block (3 Circuit).....	1
25	00-557976	Connector – Wire Terminal Block (2 Circuit).....	1
26	00-919978-00001	Motor – Conveyor Drive (200-230/460 V., 60 Hz., 3 Ph.) (CL44e).....	1
27	00-919978-00002	Motor – Conveyor Drive (200-240 V., 60 Hz., 1Ph.) (CL44e).....	1
28	00-919978-00003	Motor – Conveyor Drive (220-240/380-415 V., 50Hz., 3 Ph.) (CL44e).....	1
29	00-919978-00004	Motor – Conveyor Drive (575 V., 60 Hz., 3 Ph.) (CL44e).....	1
30	00-919978-00005	Motor – Conveyor Drive (200-230/460 V., 60 Hz., 3 Ph.) (CL54e).....	1
31	00-919978-00006	Motor – Conveyor Drive (220-240 V., 60 Hz., 1 Ph.) (CL54e).....	1
32	00-919978-00007	Motor – Conveyor Drive (220-240/380-415 V., 50 Ph., 3 Ph.) (CL54e).....	1
33	00-919978-00008	Motor – Conveyor Drive (575 V., 60 Hz., 3 Ph.) (CL54e).....	1
34	00-012430-00088	Key.....	1
35	RR-012-36	Retaining Ring.....	1

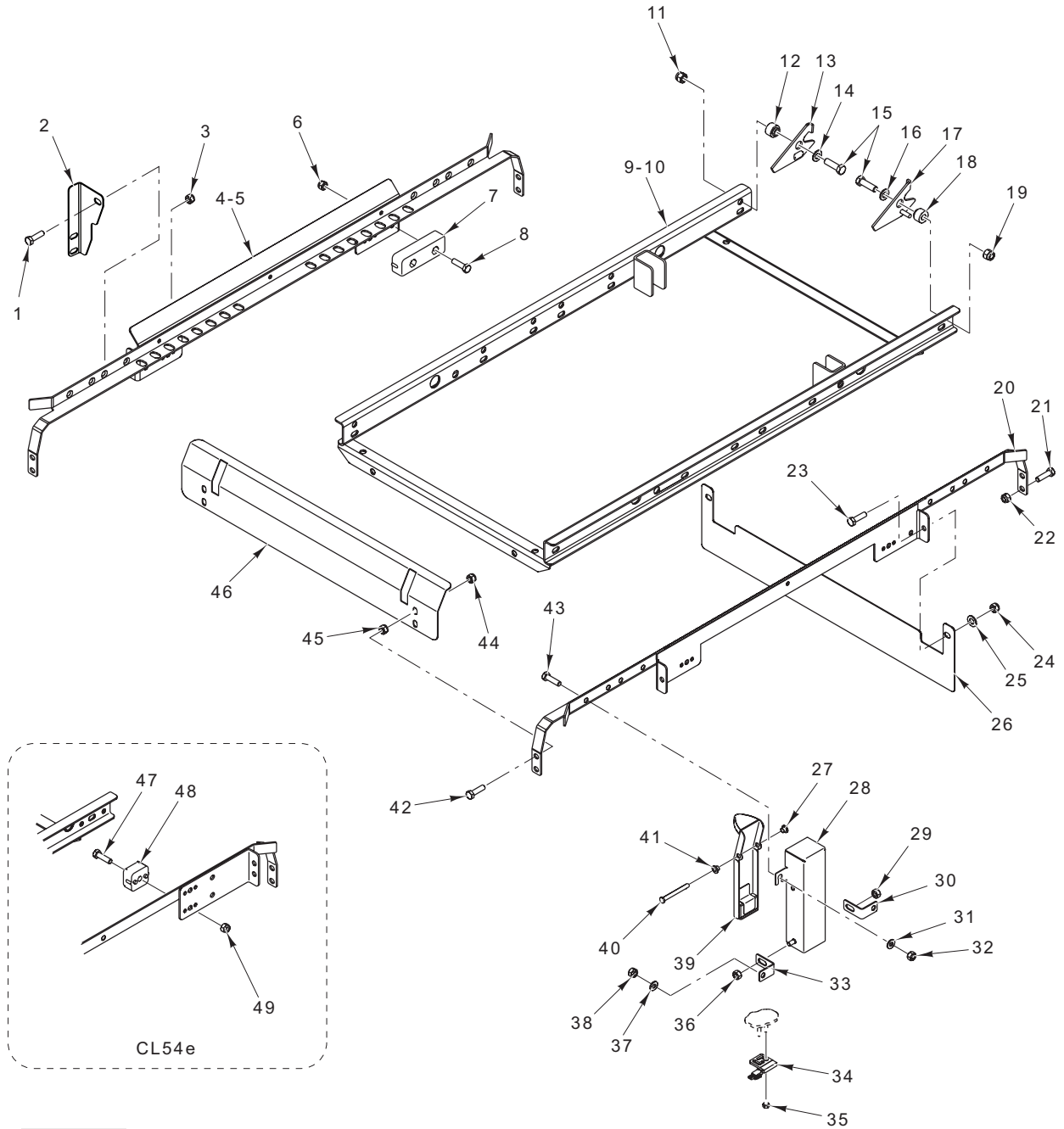


PL-58667

**CONVEYOR DRIVE**

## CONVEYOR DRIVE

ILLUS.	PART NO.	NAME OF PART	AMT.
PL-58667			
1	00-935985	Plate – Housing Bearing Mounting .....	1
2	00-935982	Bearing – Back Housing .....	1
3	WS-017-18	Washer.....	4
4	NS-036-19	Stop Nut <sup>5</sup> / <sub>16</sub> -18 (SST).....	4
5	00-918991	Screw – Shoulder Block.....	1
6	00-919274	Slider – Conveyor Drive.....	1
7	NS-048-86	Lock Nut <sup>3</sup> / <sub>8</sub> -16 Flexloc (SST) .....	1
8	00-919800	Shaft – Drive .....	1
9	NS-048-86	Lock Nut <sup>3</sup> / <sub>8</sub> -16 Flexloc (SST) .....	1
10	00-919274	Slider – Conveyor Drive.....	1
11	00-918991	Screw – Shoulder Block.....	1
12	00-012430-00088	Key.....	1
13	SC-041-50	Cap Screw <sup>1</sup> / <sub>4</sub> -20 x <sup>1</sup> / <sub>2</sub> Hex Hd. (SST).....	1
14	00-918993	Collar .....	1
15	00-918957	Deflector – Bearing.....	1
16	00-067500-00151	O-Ring .....	1
17	00-918956	Bearing – Front Housing.....	1
18	00-936177	Seal – Shaft .....	1
19	00-067500-00150	O-Ring .....	1
20	SC-130-41	Set Screw 10-32 x <sup>1</sup> / <sub>2</sub> Hdls. (SST).....	1
21	SC-130-43	Cap Screw <sup>1</sup> / <sub>4</sub> -20 x <sup>1</sup> / <sub>4</sub> Hex Hd. (SST) .....	1
22	00-919695	Channel .....	1
23	NS-031-19	Stop Nut <sup>1</sup> / <sub>4</sub> -20 (SST).....	1
24	SC-041-10	Cap Screw <sup>5</sup> / <sub>16</sub> -18 x <sup>5</sup> / <sub>8</sub> Hex Hd. (SST).....	4
25	WL-006-23	Lockwasher <sup>5</sup> / <sub>16</sub> Helical (SST).....	4
26	00-936103	Diverter – Water.....	1

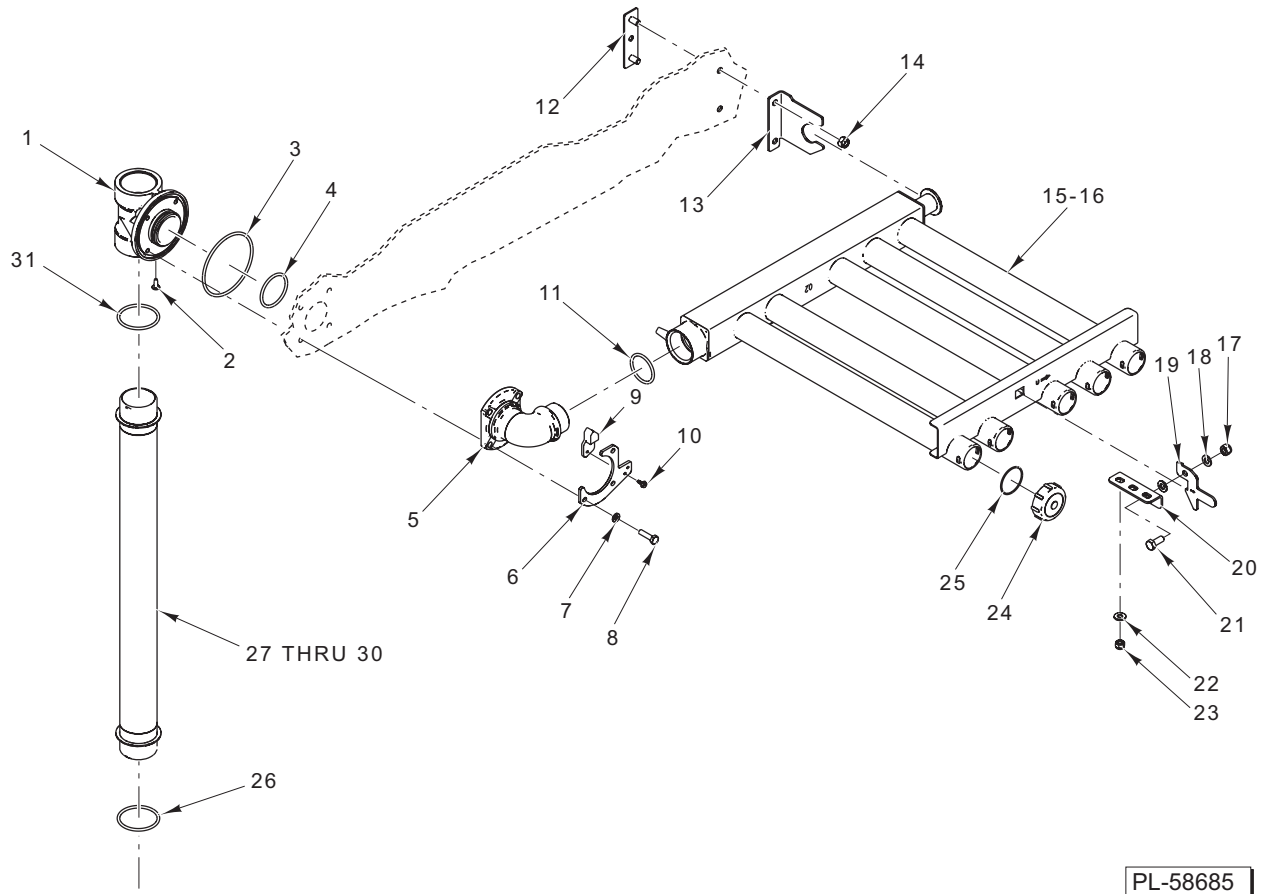


CONVEYOR

## CONVEYOR

ILLUS. PL-58668	PART NO.	NAME OF PART	AMT.
1	SC-041-10	Cap Screw $\frac{5}{16}$ -18 x $\frac{5}{8}$ Hex Hd. (SST) (CL54e Only).....	3
2	00-936252	Track – Back Support (CL54e Only).....	1
3	NS-015-11	Nut $\frac{5}{16}$ -18 Hex (SST) (CL54e Only).....	3
4	00-919830-00001	Track – Rack (CL44e) (Shown) (Front & Back, R-L & L-R).....	2
5	00-919833-00002	Track – Rack (CL54e) (Front, R-L; Back, L-R).....	1
6	NS-036-19	Stop Nut $\frac{5}{16}$ -18 (SST).....	8
7	00-473231	Slider – Large.....	4
8	SC-041-14	Cap Screw $\frac{3}{8}$ -16 x $1\frac{1}{8}$ Hex Hd. (SST).....	8
9	00-919694	Cradle (CL44e) (Shown).....	1
10	00-936070	Cradle (CL54e).....	1
11	NS-046-09	Stop Nut $\frac{3}{8}$ -16 (SST).....	6
12	00-270983	Spacer (CL44e).....	6
*13	00-436704-00001	Dog Pin (Front L-R; Rear R-L).....	3
14	WS-018-04	Washer (SST).....	3
15	SC-041-31	Cap Screw $\frac{3}{8}$ -16 x $1\frac{1}{4}$ Hex Hd. (SST).....	6
16	WS-018-04	Washer (SST).....	3
*17	00-436704-00002	Dog Pin (Front R-L; Rear L-R).....	3
18	00-270983	Spacer (CL44e).....	3
19	NS-046-09	Stop Nut $\frac{3}{8}$ -16 (SST).....	3
20	00-919833-00001	Track – Rack (CL54e) (Front, L-R; Back, R-L).....	1
21	SC-041-10	Cap Screw $\frac{5}{16}$ -18 x $\frac{5}{8}$ Hex Hd. (SST) (CL54e).....	4
22	NS-036-19	Stop Nut $\frac{5}{16}$ -18 (SST).....	4
23	SC-041-05	Cap Screw $\frac{1}{4}$ -20 x $\frac{5}{8}$ Hex Hd. (SST).....	2
24	NS-031-19	Stop Nut $\frac{1}{4}$ -20 Hex (SST).....	2
25	WS-017-06	Washer (SST).....	2
26	00-936185	Baffle – Rinse Area.....	1
27	00-919722	Bearing.....	1
28	00-936249	Shroud – Actuator.....	1
29	NS-031-19	Stop Nut $\frac{1}{4}$ -20 Hex (SST).....	1
30	00-936248	Bracket – Actuator Shroud.....	1
31	WS-017-06	Washer (SST).....	2
32	NS-047-82	Stop Nut $\frac{1}{4}$ -20 (SST).....	2
33	00-936248	Bracket – Actuator Shroud.....	1
34	00-935876	Switch Assy. – Interlock.....	2
35	NS-031-15	Stop Nut 10-24 Hex (SST).....	4
36	NS-031-19	Stop Nut $\frac{1}{4}$ -20 Hex (SST).....	1
37	WS-017-01	Washer (SST).....	2
38	NS-036-19	Stop Nut $\frac{5}{16}$ -18 (SST).....	2
39	00-919703	Pivot – Rinse Actuator.....	1
40	00-936369	Pin – Pivot.....	1
41	00-919722	Bearing.....	1
42	SC-041-11	Cap Screw $\frac{5}{16}$ -18 x $\frac{3}{4}$ Hex Hd. (SST).....	4
43	SC-022-40	Mach. Screw $\frac{1}{4}$ -20 x $\frac{3}{4}$ Phil. Flat Hd. (SST).....	2
44	NS-036-19	Stop Nut $\frac{5}{16}$ -18 (SST).....	1
45	NS-015-11	Nut $\frac{5}{16}$ -18 Hex (SST).....	4
46	00-936176	Baffle – Load.....	1
47	SC-041-14	Cap Screw $\frac{3}{8}$ -16 x $1\frac{1}{8}$ Hex Hd. (SST).....	1
48	00-473232	Slider – Small.....	1
49	NS-036-19	Stop Nut $\frac{5}{16}$ -18 (SST).....	1
	00-919906-00001	Dog Cradle Assy. (CL44e) (STD) (Incls. Items 9 & 11 thru 19).....	1
	00-919911-00001	Dog Cradle Assy. (CL54e) (STD) (Incls. Items 10 thru 19).....	1
	00-919704	Actuator Assy. – Pivot (Incls. Items 27, 28, 39, 40, & 41).....	2

\* The CL54e has eight of these plus their associated parts.

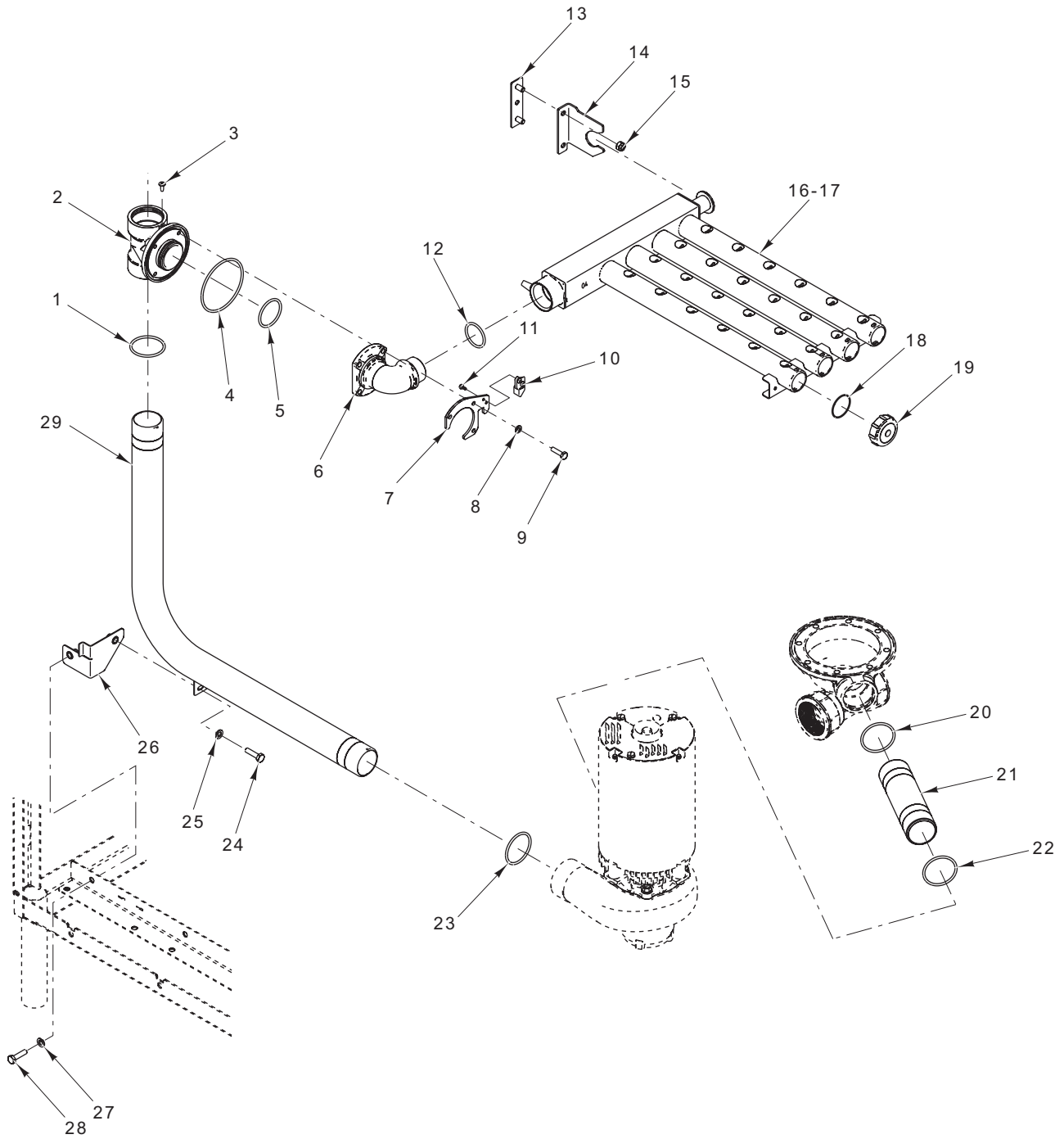


PL-58685

**UPPER WASH ARM**

## UPPER WASH ARM

ILLUS.	PART NO.	NAME OF PART	AMT.
PL-58685			
1	00-919663-00001	Manifold – Elbow .....	1
2	SD-038-84	Self-Tapping Screw 10-24 x 1/2 Phil. Truss Hd., Type F (SST).....	1
3	00-067500-00132	O-Ring .....	1
4	00-067500-00019	O-Ring .....	1
5	00-919926	Manifold – Elbow .....	1
6	00-936168	Plate – Adjuster.....	1
7	WL-006-17	Lockwasher 1/4 Helical (SST).....	4
8	SC-109-47	Cap Screw 1/4-20 x 7/8 Hex Hd. (SST).....	4
9	00-936166	Block – Wear.....	1
10	00-893777-00001	Self-Tapping Screw (Thread Forming).....	2
11	00-067500-00014	O-Ring .....	1
12	00-936202	Plate – Mounting.....	1
13	00-919931	Bracket – Guide (Wash Arm).....	1
14	NS-036-19	Stop Nut 5/16-18 Hex (SST) .....	2
15	00-936002	Arm – Upper Wash (L-R).....	1
16	00-936001	Arm – Upper Wash (R-L).....	1
17	NS-036-19	Stop Nut 5/16-18 Hex (SST) .....	1
18	WS-017-08	Washer.....	2
19	00-919378	Latch.....	1
20	00-919379	Bracket – Latch.....	1
21	SC-041-11	Cap Screw 5/16-18 x 3/4 Hex Hd. (SST).....	1
22	WS-017-06	Washer.....	3
23	NS-031-19	Stop Nut 1/4-20 Hex (SST).....	3
24	00-919363	End Cap Assy. (Incls. Item 25).....	5
25	00-067500-00069	O-Ring .....	5
26	00-067500-00057	O-Ring .....	1
27	00-936020-00001	Tube – Wash Feed (Upper) (STD) (L-R).....	1
28	00-936020-00002	Tube – Wash Feed (Upper) (HTS) (L-R).....	1
29	00-936021-00001	Tube – Wash Feed (Offset) (STD) (R-L).....	1
30	00-936021-00002	Tube – Wash Feed (Offset) (HTS) (R-L).....	1
31	00-067500-00057	O-Ring .....	1
	00-936222	Cam Plate Assy. (Incls. Items 6, 9, & 10).....	1



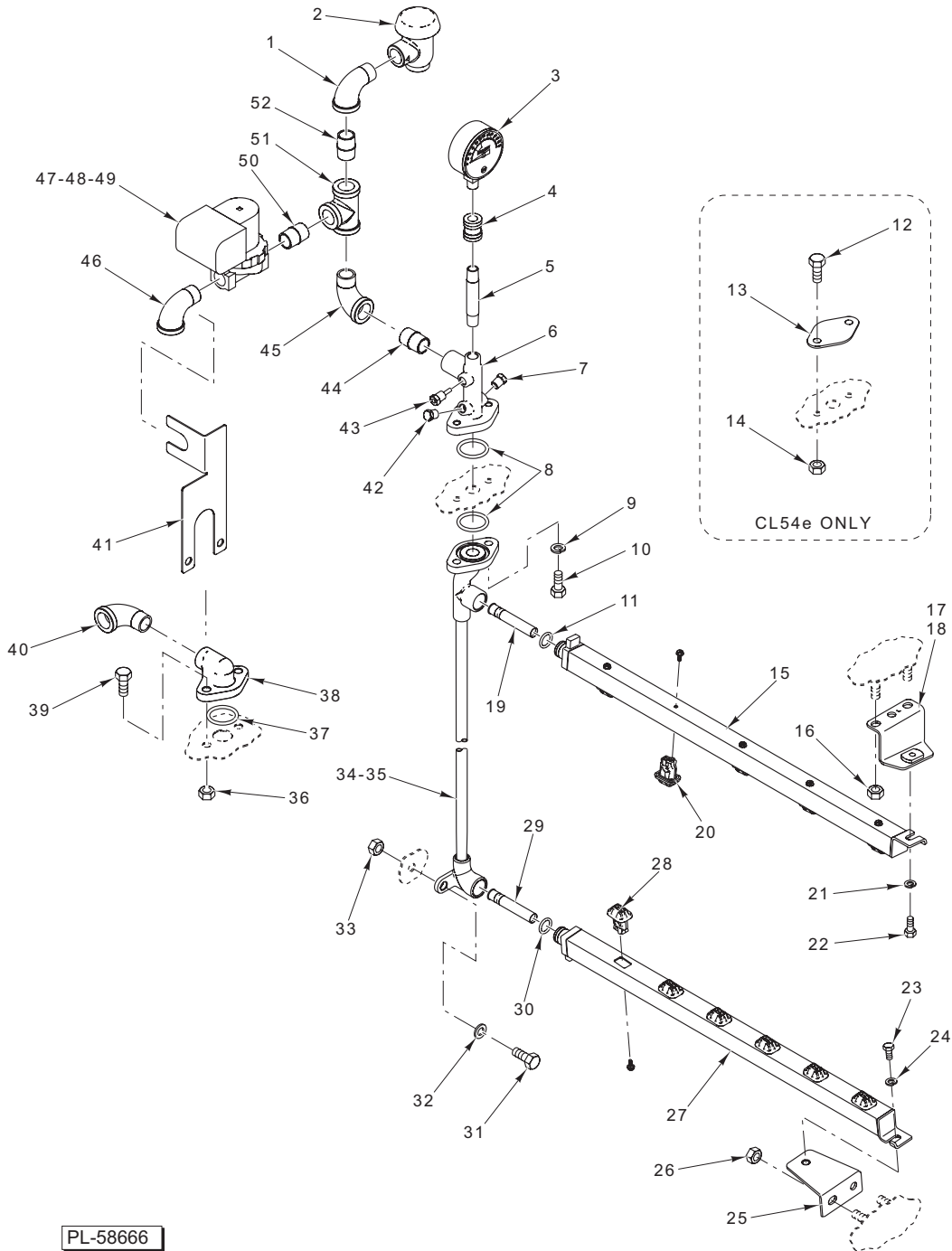
PL-58662

**LOWER WASH ARM**



## LOWER WASH ARM

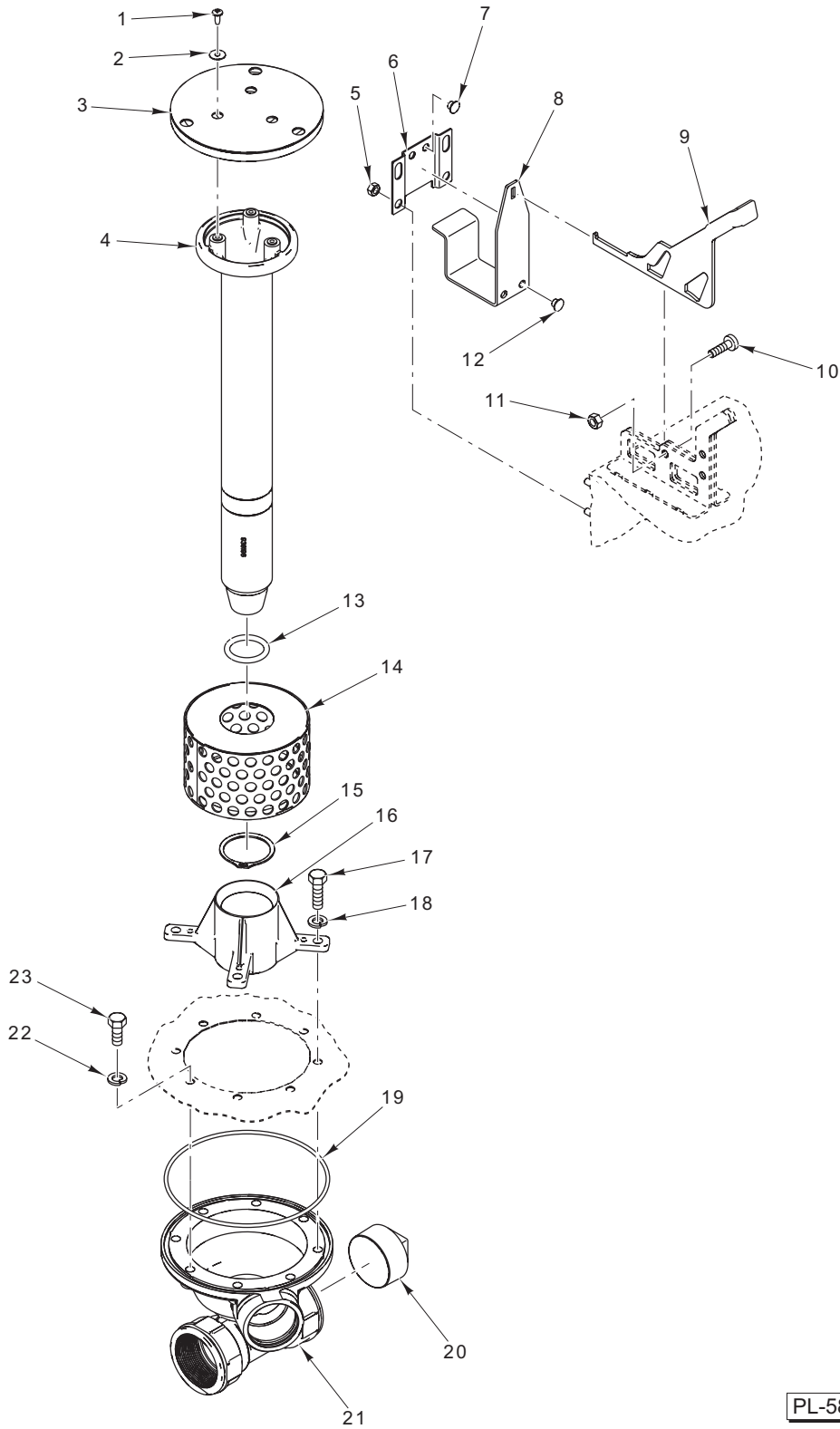
ILLUS.	PART NO.	NAME OF PART	AMT.
PL-58662			
1	00-067500-00057	O-Ring .....	1
2	00-919663-00002	Manifold – Tee.....	1
3	SD-038-84	Self-Tapping Screw 10-24 x 1/2 Phil. Truss Hd., Type F (SST).....	1
4	00-067500-00132	O-Ring .....	1
5	00-067500-00019	O-Ring .....	1
6	00-919926	Manifold – Elbow .....	1
7	00-936168	Plate – Adjuster.....	1
8	WL-006-17	Lockwasher 1/4 Helical (SST).....	4
9	SC-109-47	Cap Screw 1/4-20 x 7/8 Hex Hd. (SST) .....	4
10	00-936166	Block – Wear.....	1
11	00-893777-00001	Self-Tapping Screw (Thread Forming).....	2
12	00-067500-00014	O-Ring .....	1
13	00-936202	Plate – Mounting.....	1
14	00-919931	Bracket – Guide (Wash Arm).....	1
15	NS-036-19	Stop Nut 5/16-18 Hex (SST) .....	2
16	00-935993	Arm – Lower Wash (R-L).....	1
17	00-935994	Arm – Lower Wash (L-R).....	1
18	00-067500-00069	O-Ring .....	4
19	00-919363	End Cap Assy. (Incls. Item 18).....	4
20	00-067500-00057	O-Ring .....	1
21	00-919738-00003	Tube – Feed.....	1
22	00-067500-00057	O-Ring .....	1
23	00-067500-00057	O-Ring .....	1
24	SC-041-50	Cap Screw 1/4-20 x 1/2 Hex Hd. (SST) .....	1
25	WL-006-17	Lockwasher 1/4 Helical (SST) .....	1
26	00-936368-00001	Bracket Assy. – Pump Mount.....	1
27	WL-006-17	Lockwasher 1/4 Helical (SST).....	1
28	SC-041-50	Cap Screw 1/4-20 x 1/2 Hex Hd. (SST).....	1
29	00-935979	Tube – Feed.....	1
	00-936222	Cam Plate Assy. (Incls. Items 7, 10, & 11).....	1



**RINSE PIPING**

## RINSE PIPING

ILLUS.	PART NO.	NAME OF PART	AMT.
PL-58666			
1	FP-015-17	Elbow – Pipe 1/2 x 90 Deg. (Brass).....	1
2	00-292909-00002	Breaker – Vacuum .....	1
3	00-918460	Gauge – Water Pressure .....	1
4	FP-023-07	Coupling – Pipe 1/4 (CL44e Only).....	1
5	FP-075-70	Pipe 1/4 x 3 TBE (Brass) (CL44e Only).....	1
6	00-919560	Manifold – Top Rinse .....	1
7	00-749123	Plug – Pipe .....	1
8	00-067500-00012	O-Ring .....	2
9	WL-006-23	Lockwasher 5/16 Helical (SST).....	2
10	SC-041-12	Cap Screw 5/16 x 7/8 Hex Hd. (SST) .....	2
11	00-067500-00145	O-Ring .....	1
12	SC-041-10	Cap Screw 5/16 x 5/8 Hex Hd. (SST) (CL54e Only).....	1
13	00-122402-00002	Flange (CL54e Only) .....	1
14	NS-015-11	Nut 5/16-18 (CL54e Only) .....	1
15	00-936273	Arm – Rinse Upper (5 Nozzle).....	1
16	NS-031-19	Stop Nut 1/4-20 (SST).....	2
17	00-936064-00003	Bracket – Upper Rinse (L-R) .....	1
18	00-936064-00004	Bracket – Upper Rinse (R-L) .....	1
19	00-936197	Strainer – Opti-Rinse Short Inlet.....	1
20	00-893535	Nozzle Assy.....	5
21	WL-006-23	Lockwasher 5/16 Helical (SST).....	1
22	SC-041-10	Cap Screw 5/16 x 5/8 Hex Hd. (SST) .....	1
23	SC-041-10	Cap Screw 5/16-18 x 5/8 Hex Hd. (SST).....	1
24	WL-006-23	Lockwasher 5/16 Helical (SST).....	1
25	00-935872-00002	Support – Rinse Lower .....	1
26	NS-031-19	Stop Nut 1/4-20 (SST).....	2
27	00-918973	Arm – Rinse Lower .....	1
28	00-893535	Nozzle Assy.....	6
29	00-936197	Strainer – Opti-Rinse Short Inlet.....	1
30	00-067500-00145	O-Ring .....	1
31	SC-041-12	Cap Screw 5/16-18 x 7/8 Hex Hd. (SST).....	1
32	WS-029-05	Washer (SST) .....	1
33	NS-036-19	Stop Nut 5/16-18 (SST).....	1
34	00-936047-00001	Manifold – Rinse (Single) (STD).....	1
35	00-936047-00002	Manifold – Rinse (Single) (HTS).....	1
36	NS-036-19	Stop Nut 5/16-18 (SST).....	2
37	00-067500-00012	O-Ring .....	1
38	00-918336	Manifold – Outside Rinse.....	1
39	SC-041-12	Cap Screw 5/16-18 x 7/8 Hex Hd. (SST).....	2
40	FP-015-17	Elbow – Pipe .....	1
41	00-936292	Support – Upper Plumbing .....	1
42	00-749123	Plug – Pipe .....	1
43	00-328994	Probe Assy. – Rinse.....	1
44	FP-040-42	Pipe 1/2 x 1 1/8 TBE (Brass).....	1
45	FP-015-17	Elbow – Pipe 1/2 x 90 Deg. (Brass).....	1
46	FP-015-17	Elbow – Pipe 1/2 x 90 Deg. (Brass).....	1
47	00-435968-00001	Valve – Solenoid (1/2 In.) (110-120 V.) (Incls. Items 48 & 49).....	1
48	00-271839-00001	Coil – Solenoid Valve.....	1
49	00-271837	Service Kit – Solenoid Valve.....	1
50	FP-040-42	Pipe 1/2 x 1 1/8 TBE (Brass).....	3
51	FP-019-21	Tee – Pipe 1/2 x 1/2 x 1/2 (Brass).....	1
52	FP-040-54	Pipe 1/2 x 2 1/2 TBE (Brass).....	1

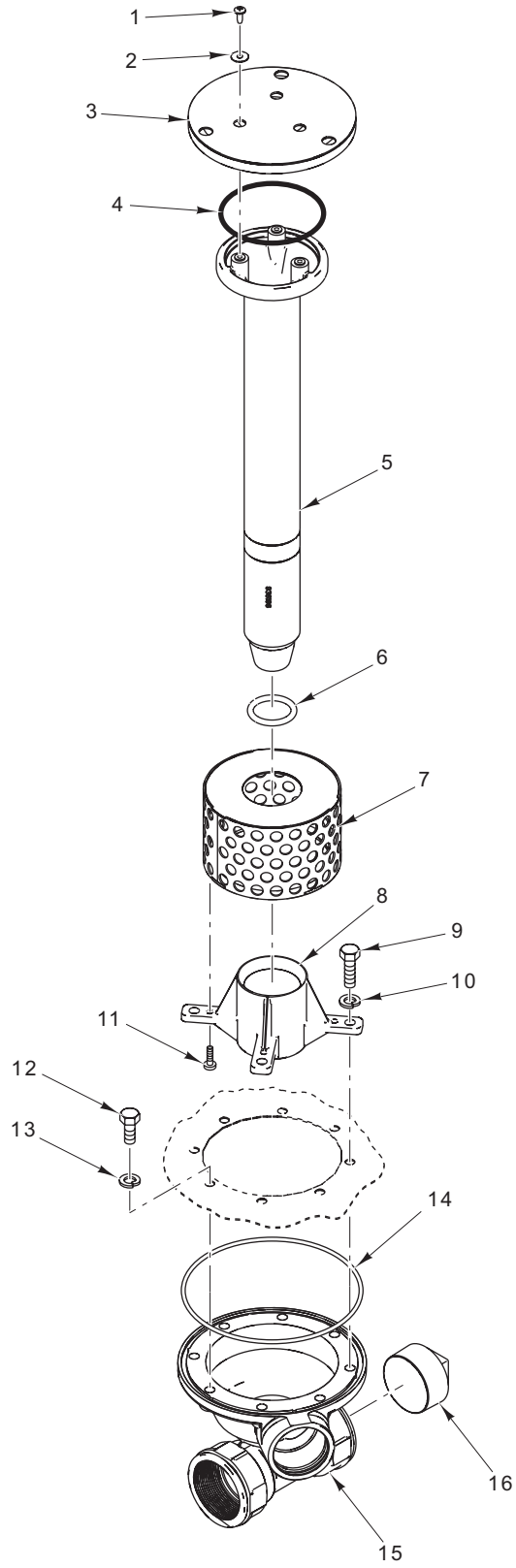


PL-58669

**DRAIN (ON CL44e AND CL54e)**

**DRAIN (ON CL44e AND CL54e)**

ILLUS.	PART NO.	NAME OF PART	AMT.
PL-58669			
1	SD-038-84	Self-Tapping Screw 10-24 x 1/2 Phil. Truss Hd., Type F (SST).....	3
2	WS-017-06	Washer (SST).....	3
3	00-935896	Cover – Standpipe Weldment.....	1
4	00-936196	Tube – Overflow.....	1
5	NS-031-19	Stop Nut 1/4-20 Hex (SST).....	4
6	00-919790	Guide – Lift.....	1
7	00-936372	Button – Wear.....	2
8	00-936237	Lift – Guide.....	1
9	00-936236	Link – Lift.....	1
10	SC-130-42	Shoulder Screw 5/16 x 1/2 Hex Socket Hd. (SST).....	2
11	NS-047-82	Stop Nut 1/4-20 Hex (SST).....	2
12	00-936372	Button – Wear.....	2
13	00-067500-00120	O-Ring.....	1
14	00-936223	Strainer – Overflow Weldment.....	1
15	RR-012-35	Retaining Ring (External) (SST).....	1
16	00-936247	Guide – Standpipe.....	1
17	SC-041-11	Cap Screw 5/16-18 x 3/4 Hex Hd. (SST).....	4
18	WS-017-08	Washer (SST).....	4
19	00-067500-00136	O-Ring.....	1
20	FP-028-32	Plug – Pipe.....	1
21	00-919725	Drain.....	1
22	WL-006-23	Lockwasher 5/16 Helical (SST).....	4
23	SC-041-10	Cap Screw 5/16-18 x 5/8 Hex Hd. (SST).....	4

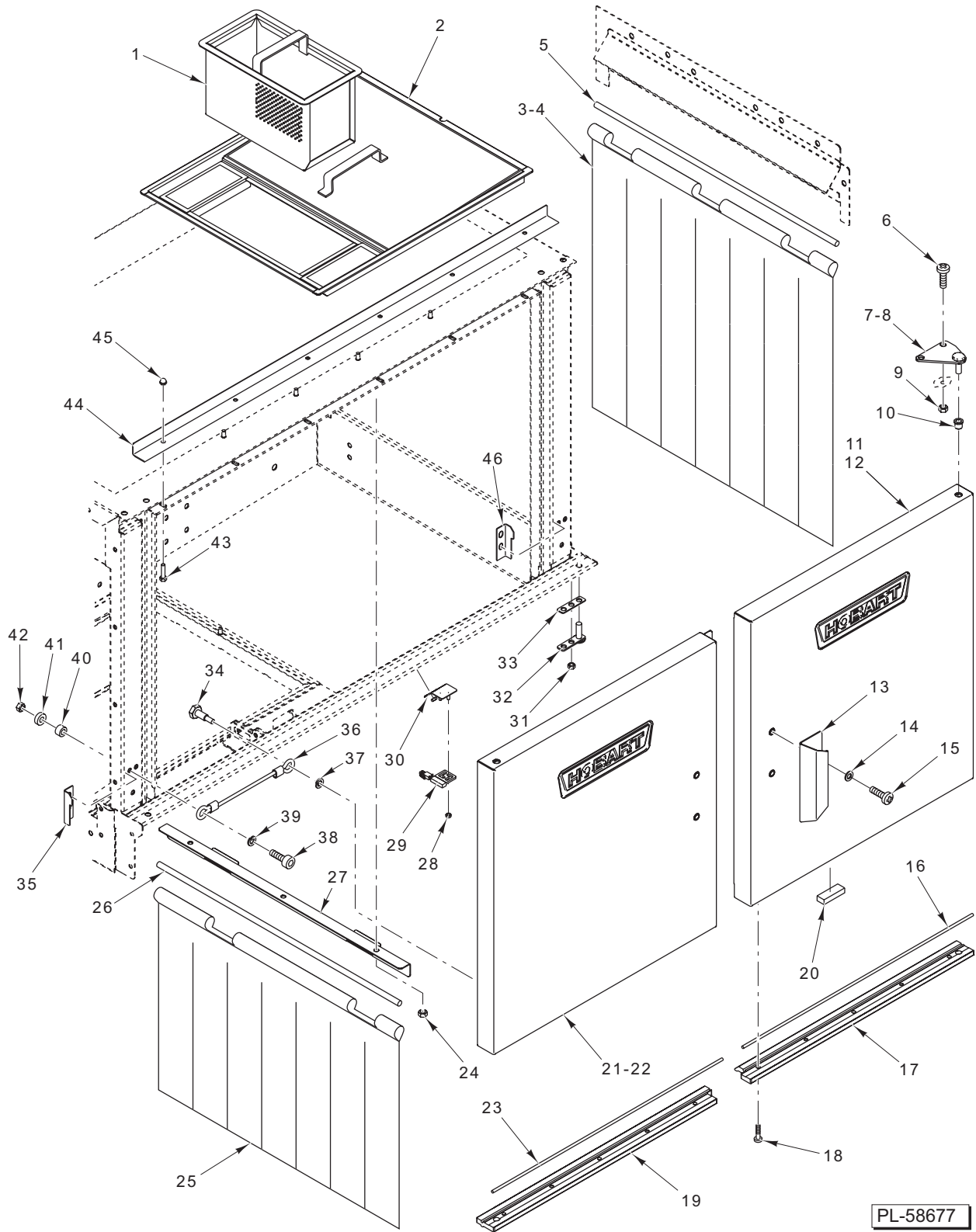


PL-58796

**WASH TANK DRAIN (ON CLPS66e AND CLPS76e)**

## WASH TANK DRAIN (ON CLPS66e AND CLPS76e)

ILLUS.	PART NO.	NAME OF PART	AMT.
PL-58796			
1	SD-038-84	Self-Tapping Screw 10-24 x 1/2 Phil. Truss Hd., Type F (SST).....	3
2	WS-017-06	Washer (SST).....	3
3	00-935896	Cover – Standpipe Weldment.....	1
4	00-936114	Seal – Top Standpipe.....	1
5	00-936196	Tube – Overflow.....	1
6	00-067500-00120	O-Ring.....	1
7	00-936223	Strainer – Overflow Weldment.....	1
8	00-936247	Guide – Standpipe.....	1
9	SC-041-11	Cap Screw 5/16-18 x 3/4 Hex Hd. (SST).....	4
10	WS-017-08	Washer (SST).....	4
11	SC-120-35	Mach. Screw 8-32 x 3/8 Phil. Pan Hd. (SST).....	4
12	SC-041-10	Cap Screw 5/16-18 x 5/8 Hex Hd. (SST).....	4
13	WL-006-23	Lockwasher 5/16 Helical (SST).....	4
14	00-067500-00136	O-Ring.....	1
15	00-919725	Drain.....	1
16	FP-028-32	Plug – Pipe.....	1

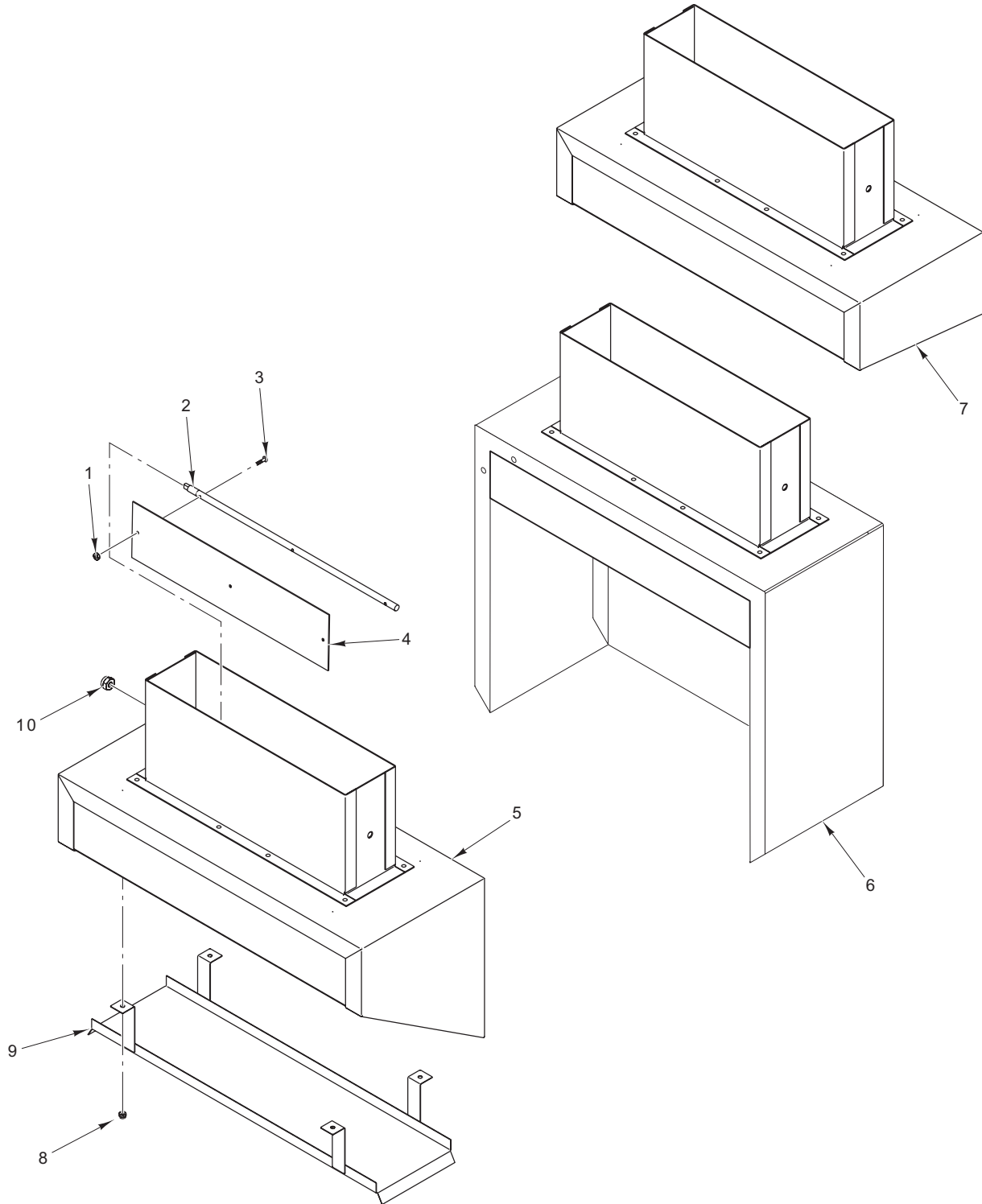


**DOORS**



## DOORS

ILLUS. PL-58677	PART NO.	NAME OF PART	AMT.
1	00-936161	Strainer – Bucket .....	1
2	00-936162	Strainer – One-Piece (Fabricated).....	1
3	00-919758	Curtain – Splash (4 Ply) (STD) .....	2
4	00-919975	Curtain – Splash (4 Ply) (HTS) .....	2
5	00-919507	Rod – Curtain.....	2
6	SC-041-10	Cap Screw <sup>5</sup> / <sub>16</sub> x <sup>5</sup> / <sub>8</sub> Hex Hd. (SST).....	4
7	00-936014-00002	Hinge – Top Door (RH) .....	1
8	00-936014-00003	Hinge – Top Door (LH).....	1
9	NS-015-11	Nut <sup>5</sup> / <sub>16</sub> -18 Hex (SST).....	1
10	00-919218	Bearing .....	2
11	00-919966-00001	Door (STD) (RH).....	1
12	00-919966-00002	Door (HTS) (RH).....	1
13	00-919719	Handle – Door.....	2
14	WS-017-06	Washer.....	2
15	SC-041-50	Cap Screw <sup>1</sup> / <sub>4</sub> -20 x <sup>1</sup> / <sub>2</sub> (SST) .....	4
16	00-557950	Gasket .....	1
17	00-919949	Seal – Door Bottom (RH).....	1
18	SC-125-85	Screw <sup>1</sup> / <sub>4</sub> -20 x <sup>5</sup> / <sub>8</sub> Phil. Truss Hd. (SST) .....	10
19	00-919958	Seal – Door Bottom (LH) .....	1
20	00-290160	Magnet.....	2
21	00-919960-00001	Door (STD) (LH) .....	1
22	00-919960-00002	Door (HTS) (LH) .....	1
23	00-557950	Gasket .....	2
24	NS-036-19	Stop Nut <sup>5</sup> / <sub>16</sub> -18 (SST).....	3
25	00-919509	Curtain – Splash (Short) .....	1
26	00-919507	Rod – Curtain.....	1
27	00-919809	Bracket – Curtain (Short).....	1
28	NS-031-15	Stop Nut 10-24 Hex (SST).....	4
29	00-935876	Switch Assy. – Door .....	2
30	00-936318	Bracket.....	2
31	NS-036-19	Stop Nut <sup>5</sup> / <sub>16</sub> -18 (SST).....	4
32	00-935868	Pin – Hinge .....	2
33	00-936266	Gasket – Hinge .....	2
34	SC-129-82	Shoulder Screw <sup>1</sup> / <sub>4</sub> Dia. x <sup>1</sup> / <sub>4</sub> Lg., <sup>1</sup> / <sub>4</sub> -20 Socket Hex Hd.(SST) .....	2
35	00-936581-00002	Brace – Chamber Front (Left).....	1
36	00-936527	Cable – Door Stop .....	2
37	WL-006-17	Lockwasher <sup>1</sup> / <sub>4</sub> Helical.....	2
38	SC-130-42	Shoulder Screw <sup>5</sup> / <sub>16</sub> Dia. x <sup>1</sup> / <sub>2</sub> Lg., <sup>1</sup> / <sub>4</sub> -20 Socket Hex Hd.(SST) .....	2
39	WL-006-23	Lockwasher <sup>5</sup> / <sub>16</sub> Helical .....	2
40	00-936526	Cushion – Door Stop .....	2
41	WS-017-06	Washer.....	2
42	NS-036-19	Stop Nut <sup>5</sup> / <sub>16</sub> -18 (SST).....	2
43	SC-041-50	Cap Screw <sup>1</sup> / <sub>4</sub> -20 x <sup>1</sup> / <sub>2</sub> (SST) .....	6
44	00-936199	Deflector – Steam .....	1
45	NS-025-06	Crown Nut <sup>1</sup> / <sub>4</sub> -20 (SST).....	6
46	00-936581-00001	Brace – Chamber Front (Right) .....	1

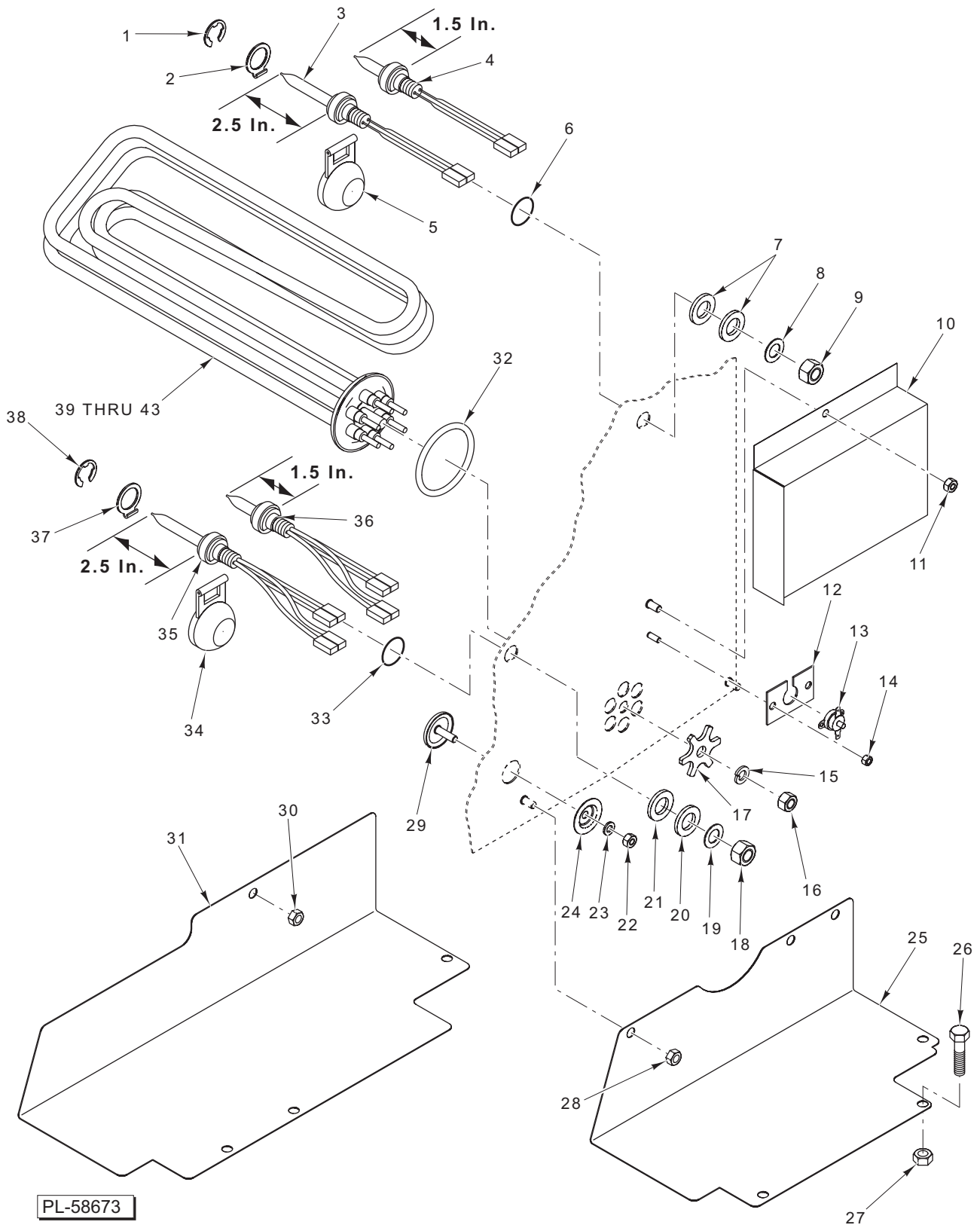


PL-58663

**VENT HOOD**

### VENT HOOD

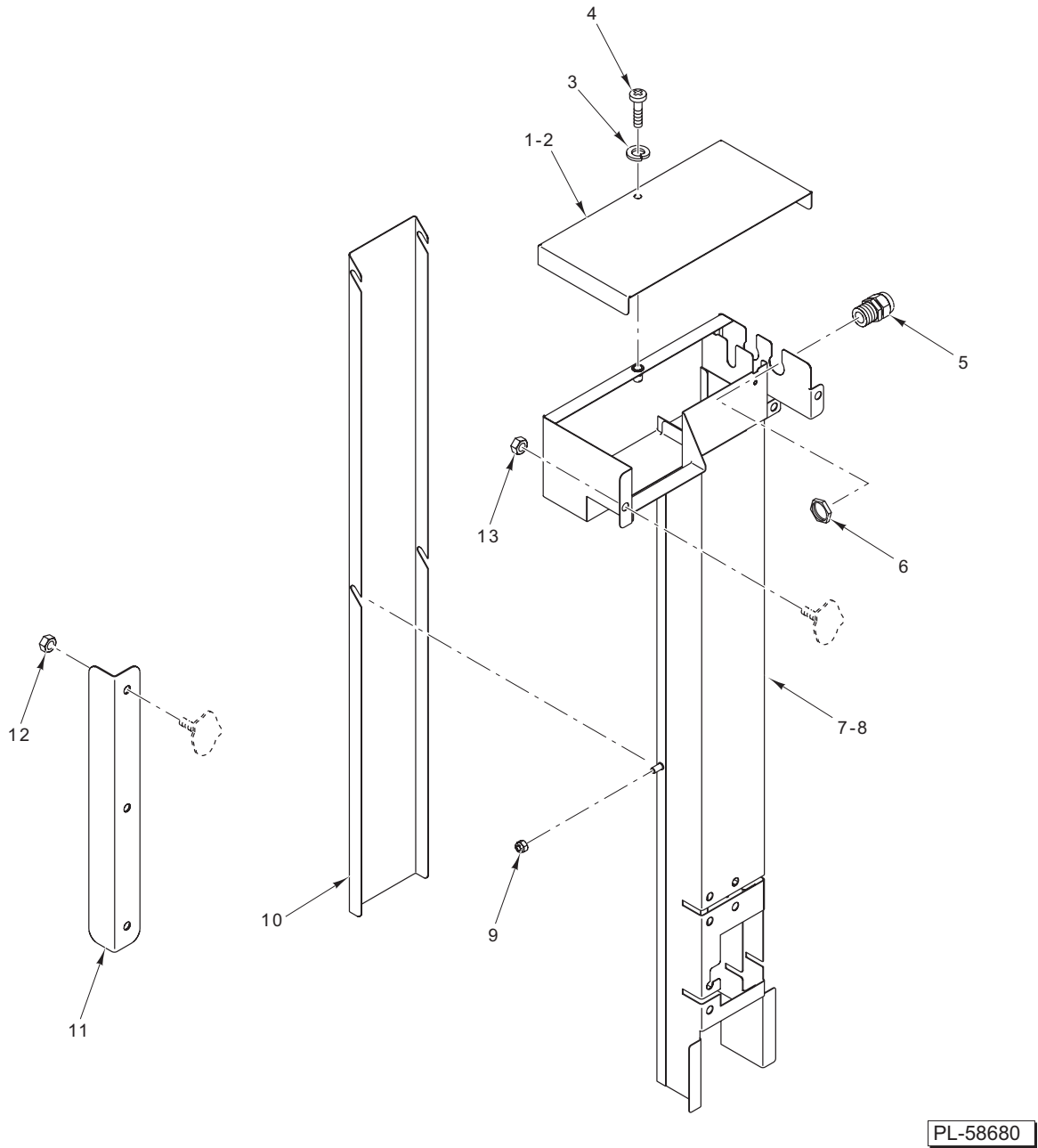
ILLUS.	PART NO.	NAME OF PART	AMT.
PL-58663			
1	NS-031-50	Stop Nut 6-32 Hex (SST).....	3
2	00-064919	Shaft - Damper .....	1
3	SC-125-25	Screw 6-32 x 3/4 Phil. Rd. Hd. (SST).....	3
4	00-075623	Damper – Vent Stack.....	1
5	ML-138156-0000Z	Vent Hood Assy. (Standard) (Incls. Items 1 thru 4, 8, 9, & 10) .....	1
6	ML-138158-0000Z	Vent Hood Assy. (Extended) (Incls. Items 1 thru 4, 8, 9, & 10).....	1
7	ML-138160-0000Z	Vent Hood Assy. (Short) (Incls. Items 1 thru 4, 8, 9, & 10).....	1
8	NS-031-19	Stop Nut 1/4-20 Hex (SST).....	4
9	00-435799	Shield – Drip .....	1
10	NS-036-12	Stop Nut 3/8-24 Hex (SST).....	1



**ELECTRIC HEAT AND FLOATS**

## ELECTRIC HEAT AND FLOATS

ILLUS.	PART NO.	NAME OF PART	AMT.
	PL-58673		
1	RR-010-13	Retaining Ring .....	1
2	00-112467	Retainer – Float .....	1
3	00-328495	Probe & Switch Assy. (2-Wire) (Long) (Incls. Items 1, 2, & 5) (Electric Only) .....	1
4	00-936547-00001	Probe & Switch Assy. (2-Wire) (Short) (Incls. Items 1, 2, & 5) .....	1
5	00-122674	Float Assy. ....	1
6	00-067500-00072	O-Ring .....	1
7	WS-010-40	Washer .....	1
8	WL-014-31	Lockwasher 1/2 External (SST) .....	1
9	NS-018-28	Jam Nut 1/2-20 (SST) .....	1
10	00-936228-00001	Cover – Mylar .....	1
11	NS-031-19	Stop Nut 1/2-20 Hex (SST) .....	1
12	00-475967	Bracket – High Limit .....	1
13	00-294615-00001	Control – Temperature .....	1
14	NS-031-15	Stop Nut 10-24 Hex (SST) .....	2
15	WL-006-27	Lockwasher 3/8 Helical (SST) .....	1
16	NS-014-15	Nut 3/8-16 (Brass) (Supplied With Heater) .....	1
17	00-919523	Heat Plate – Electric .....	1
18	NS-018-28	Jam Nut 1/2-20 (SST) .....	1
19	WL-014-31	Lockwasher 1/2 External (SST) .....	1
20	WS-010-40	Washer .....	1
21	WS-010-40	Washer .....	1
22	NS-015-01	Nut 1/4-20 Hex (SST) .....	1
23	WL-006-17	Lockwasher 1/4 Helical (SST) .....	1
24	00-119254	Retainer – Cap .....	1
25	00-935871	Panel –Bottom (L-R) .....	2
26	SC-041-05	Cap Screw 1/4-20 x 5/8 Hex Hd. (SST) .....	2
27	NS-031-19	Stop Nut 1/2-20 Hex (SST) .....	1
28	NS-031-19	Stop Nut 1/4-20 Hex (SST) .....	1
29	00-119243	Cap – Detent Disposable .....	1
30	NS-031-19	Stop Nut 1/4-20 Hex (SST) .....	1
31	00-919884	Panel – Bottom (R-L) .....	1
32	00-067500-00034	O-Ring .....	1
33	00-067500-00072	O-Ring .....	1
34	00-122674	Float Assy. ....	1
35	00-271621	Switch & Probe Assy. (4-Wire) (Long) (Incls. Items 34, 37, & 38) (Electric Only) .....	1
36	00-936547-00002	Switch & Probe Assy. (4-Wire) (Short) (Incls. Items 34, 37, & 38) .....	1
37	00-112467	Retainer – Float .....	1
38	RR-010-13	Retaining Ring .....	1
39	00-919549-00001	Element – Heater (15 kW, 200 V.) .....	1
40	00-919549-00002	Element – Heater (15 kW, 220 V.) .....	1
41	00-919549-00003	Element – Heater (15 kW, 380 V.) .....	1
42	00-919549-00004	Element – Heater (15 kW, 440 V.) .....	1
43	00-919549-00005	Element – Heater (15 kW, 600 V.) .....	1
	00-186091	Probe & Float Assy. (4-Wire) (Long) (Incls. Items 34, 35, 37, & 38) .....	1

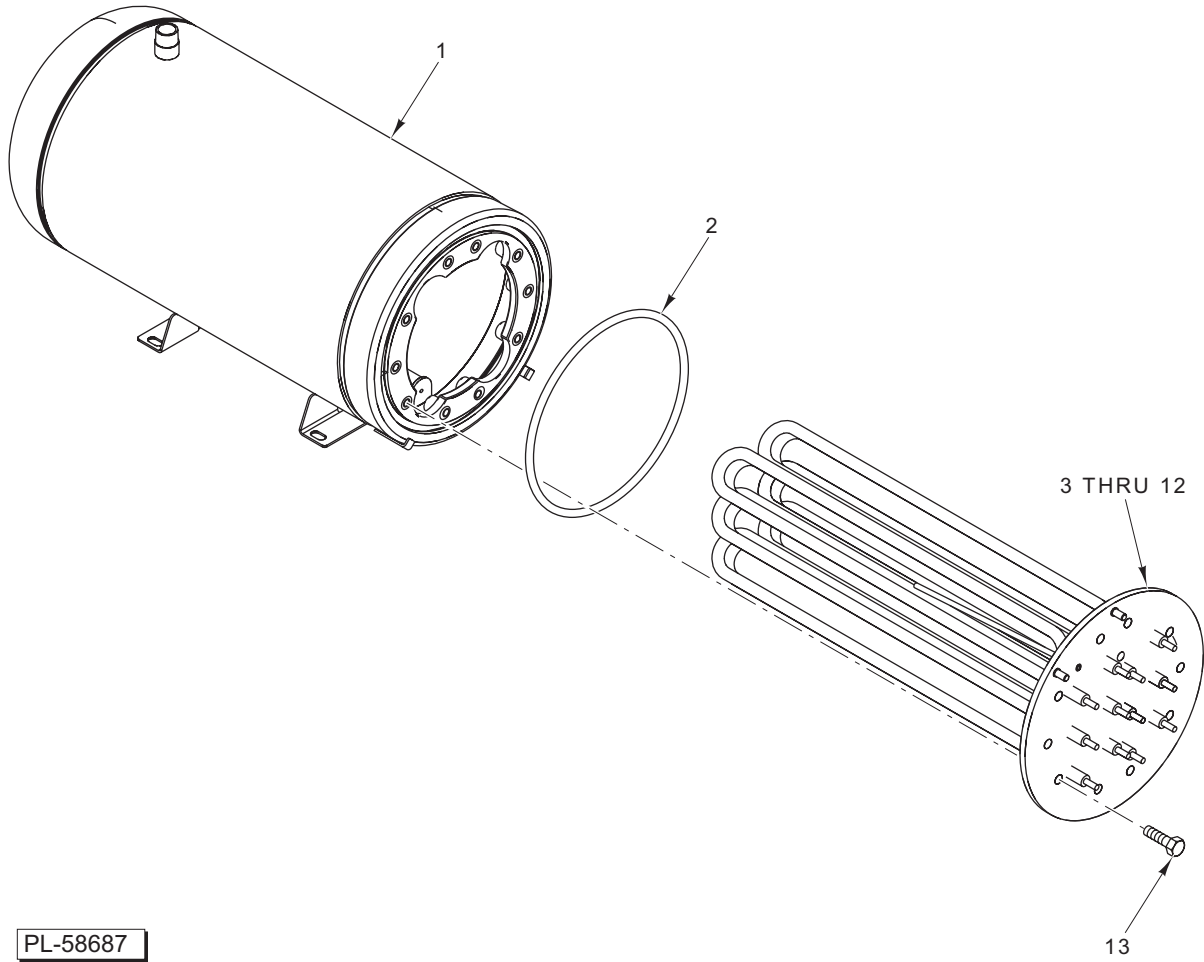


PL-58680

**WIREWAY**

**WIREWAY**

ILLUS.	PART NO.	NAME OF PART	AMT.
PL-58680			
1	00-936040	Lid (L-R) (Shown) .....	1
2	00-936055	Lid (R-L) .....	1
3	WL-006-17	Lockwasher 1/4 Helical (SST) .....	1
4	SC-041-50	Cap Screw 1/4-20 x 1/2 Hex Hd. (SST) .....	1
5	FE-022-84	Relief – Strain (Electrical) .....	2
6	FE-024-88	Lock Nut 1/2 (Electrical) .....	2
7	00-936128	Wireway (L-R) (Shown) .....	1
8	00-936050	Wireway (R-L) .....	1
9	NS-047-82	Stop Nut 1/4-20 (SST) .....	4
10	00-936113	Cover – Wireway (R-L) .....	1
11	00-936402	Chamber Reinforcement – Rear .....	1
12	NS-031-19	Stop Nut 1/4-20 Hex (SST) .....	3
13	NS-031-19	Stop Nut 1/4-20 Hex (SST) .....	4
	00-936042	Divider – Wireway (STD) .....	1
	00-936366	Divider – Wireway (L-R) .....	1
	00-936054	Box – Wireway .....	1

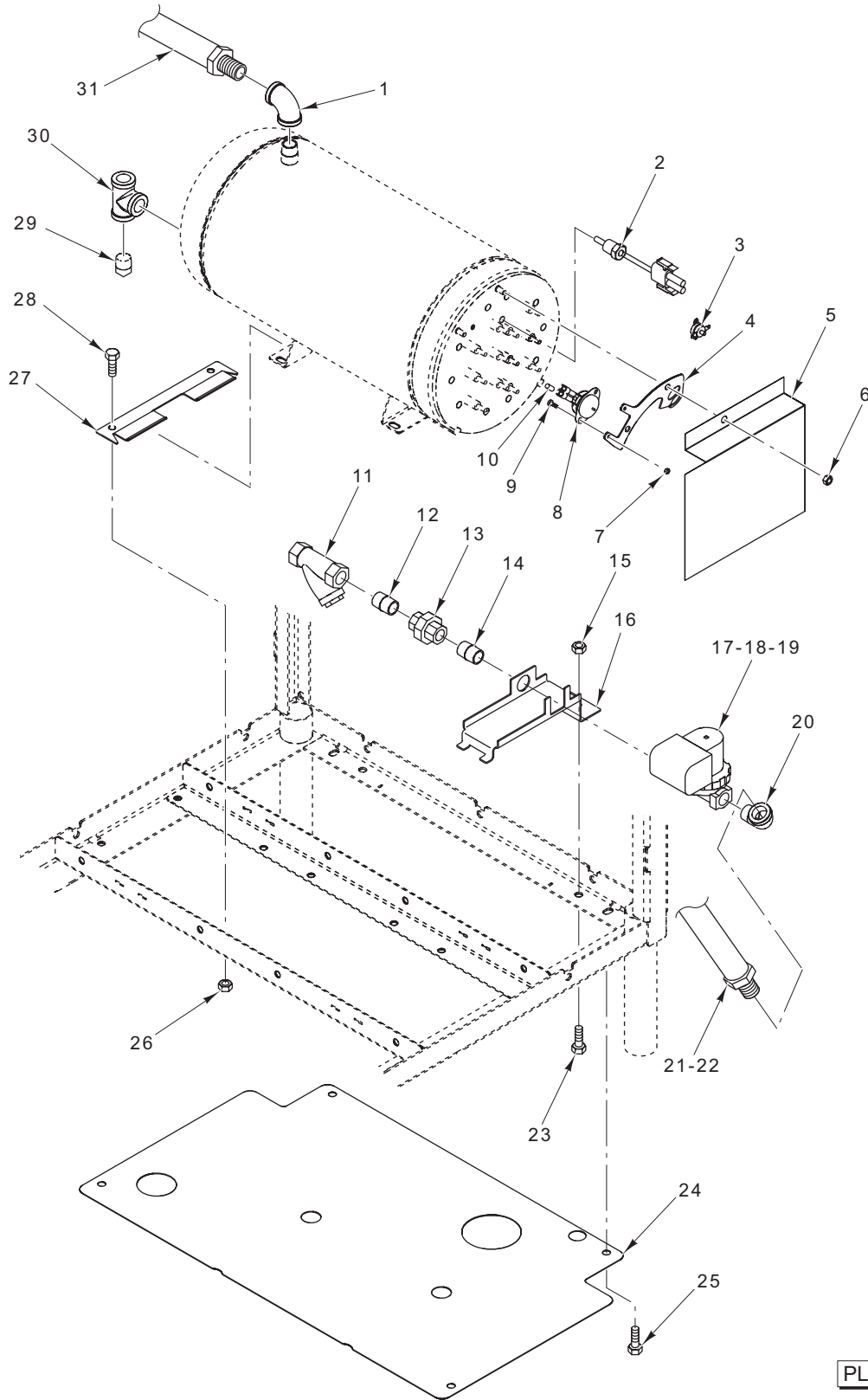


**BOOSTER**



## BOOSTER

ILLUS.	PART NO.	NAME OF PART	AMT.
PL-58687			
1	000-918500	Tank – Booster .....	1
2	00-067500-00148	O-Ring .....	1
3	00-936375-00001	Heater – Booster (With Stud) (208 V., 30 kW) .....	1
4	00-936375-00002	Heater – Booster (With Stud) (240 V., 30 kW) .....	1
5	00-936375-00003	Heater – Booster (With Stud) (480 V., 30 kW) .....	1
6	00-936375-00004	Heater – Booster (With Stud) (415 V., 30 kW) .....	1
7	00-936375-00005	Heater – Booster (With Stud) (655 V., 30 kW) .....	1
8	00-936376-00001	Heater – Booster (With Stud) (208 V., 15 kW) .....	1
9	00-936376-00002	Heater – Booster (With Stud) (240 V., 15 kW) .....	1
10	00-936376-00003	Heater – Booster (With Stud) (480 V., 15 kW) .....	1
11	00-936376-00004	Heater – Booster (With Stud) (415 V., 15 kW) .....	1
12	00-936376-00005	Heater – Booster (With Stud) (655 V., 15 kW) .....	1
13	00-918512	Screw – Mounting (With Sealer) .....	10
	00-918706	Kit – Service Booster (Use With Items 3 thru 12) (Incls. Items 2 & 13) .....	1

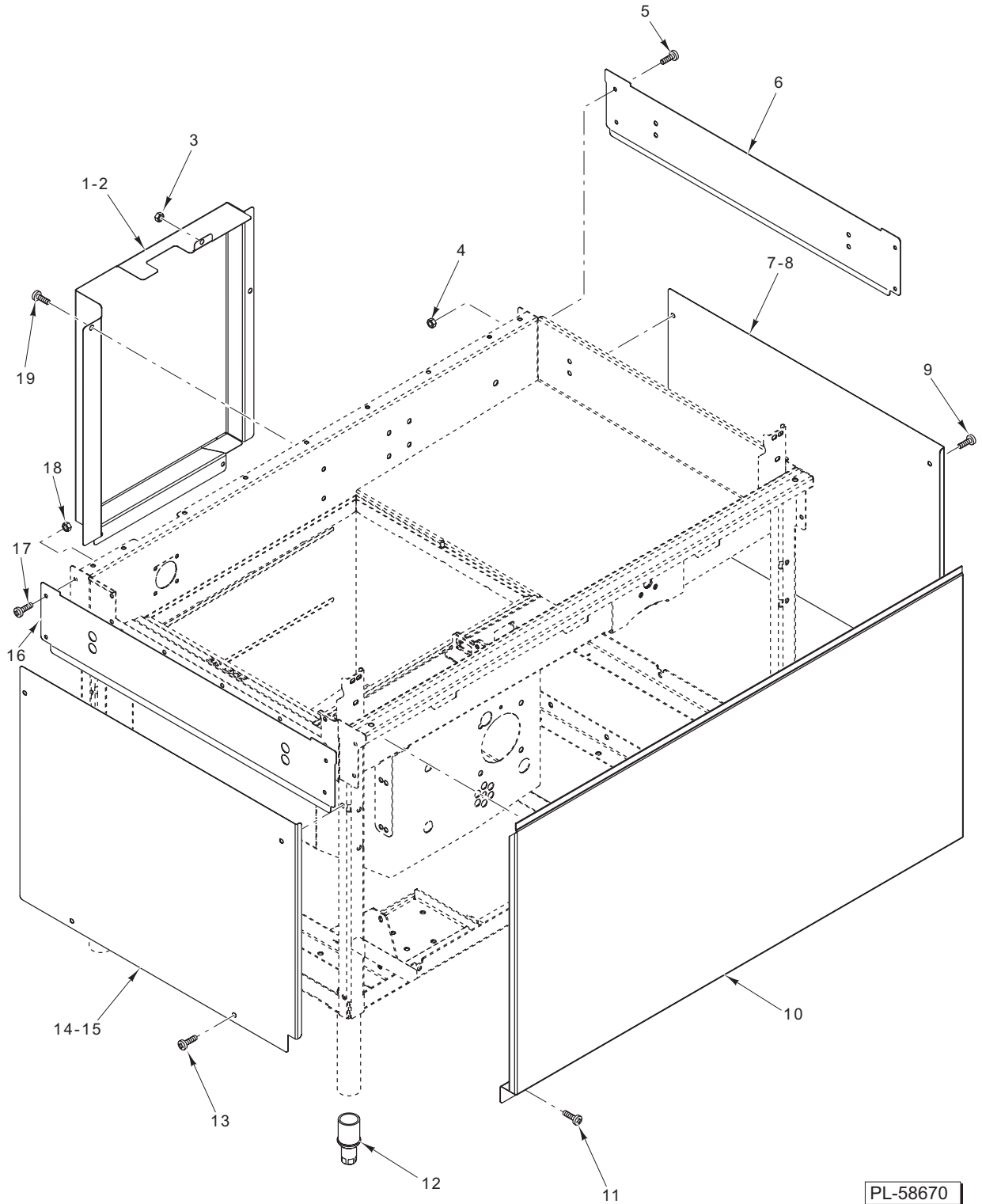


PL-58671

**INCOMING WATER AND BOOSTER SUPPORT**

## INCOMING WATER AND BOOSTER SUPPORT

ILLUS. PL-58671	PART NO.	NAME OF PART	AMT.
1	FP-015-16	Elbow – Pipe 1/2 x 90 Deg. (Brass).....	1
2	00-328994	Probe – Rinse Assy.....	1
3	00-294615-00001	Control – Temperature.....	1
4	00-936374	Bracket – Booster High Limit.....	1
5	00-936229	Barrier – Mylar.....	1
6	NS-031-15	Stop Nut 10-24 Hex (SST).....	2
7	NS-031-50	Stop Nut 6-32 Hex (SST).....	2
8	00-271123	Protector – High Limit.....	1
9	SC-127-26	Screw 6-32 x 3/8 Phil. Rd. Hd. (SST).....	2
10	00-293946-00002	Sleeve.....	AR
11	00-270258	Strainer – Line.....	1
12	FP-040-42	Pipe 1/2 x 1 1/8 (Brass).....	1
13	FP-022-12	Union – Pipe 1/2 Straight (Brass).....	1
14	FP-040-42	Pipe 1/2 x 1 1/8 (Brass).....	1
15	NS-036-19	Stop Nut 5/16-18 (SST).....	4
16	00-936221	Support – Inlet Piping.....	1
17	00-435968-00001	Valve – Solenoid (1/2 In.) (110-120 V.).....	1
18	00-271839-00001	Coil – Solenoid Valve.....	1
19	00-271837	Service Kit – Solenoid Valve.....	1
20	FP-015-17	Elbow – Pipe 1/2 x 90 Deg. (Brass).....	1
21	00-893444-00002	Hose – Flex (1/2 x 84 In.) (Braided) (No Booster).....	1
22	00-938390-00007	Hose – Flex (1/2 x 48 In.) (Braided) (Booster).....	1
23	SC-041-10	Cap Screw 5/16-18 x 5/8 Hex Hd. (SST).....	3
24	00-919877	Panel – Bottom Trim.....	1
25	SC-041-05	Cap Screw 1/4-20 x 5/8 Hex Hd. (SST).....	4
26	NS-036-19	Stop Nut 5/16-18 (SST).....	4
27	00-936360	Mount – Booster Slide.....	1
28	SC-041-05	Cap Screw 1/4-20 x 5/8 Hex Hd. (SST).....	4
29	FP-028-15	Plug – Pipe 1/2 (Brass).....	1
30	FP-019-21	Tee – Pipe 1/2 x 1/2 x 1/2 (Brass).....	1
31	00-893444-00007	Hose – Flex (1/2 x 58 In.) (Braided) (Booster).....	1

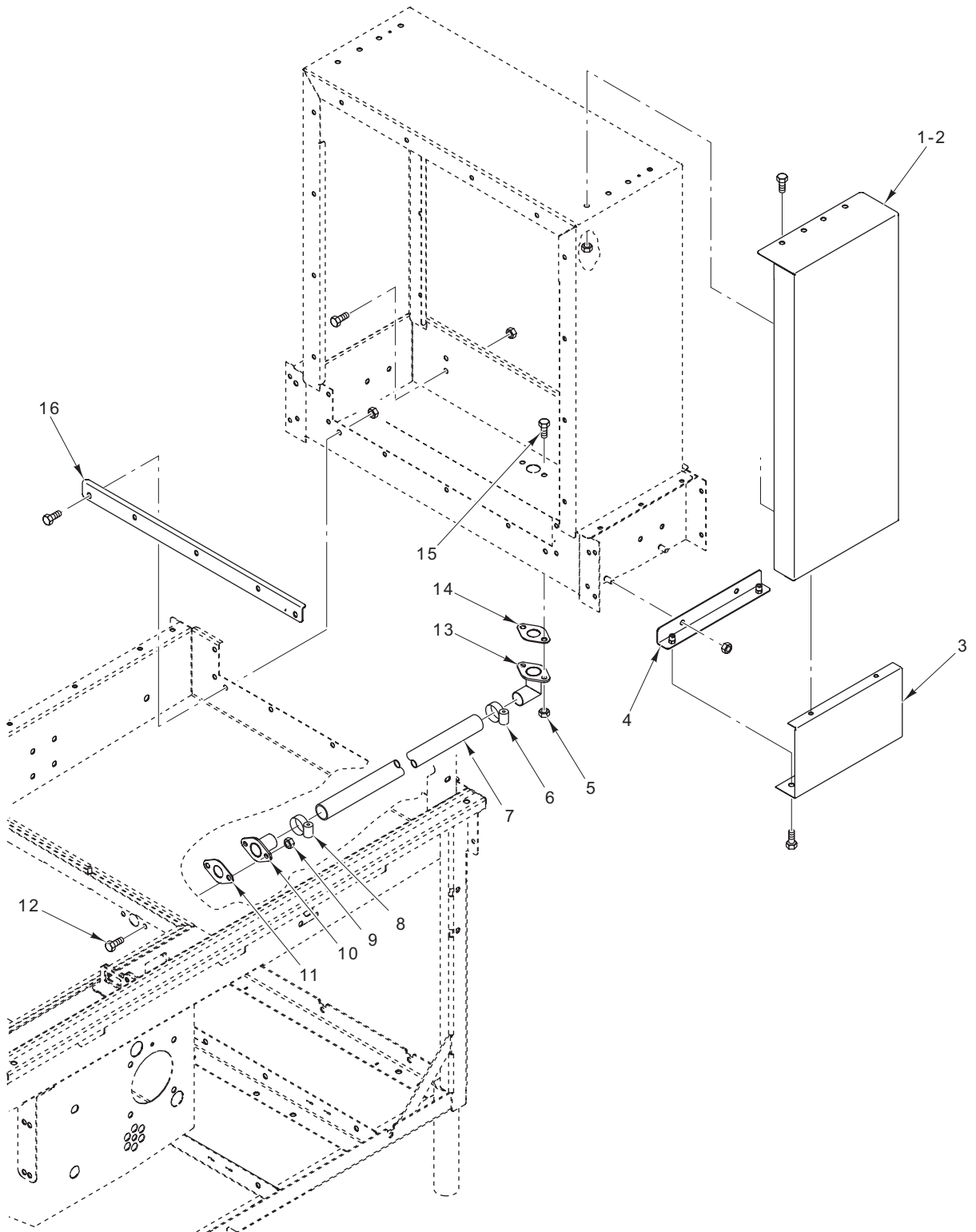


PL-58670

**LOWER PANELS**

### LOWER PANELS

ILLUS. PL-58670	PART NO.	NAME OF PART	AMT.
1	00-936131	Trim – Rear Panel (L-R).....	1
2	00-919876	Trim – Rear Panel (R-L).....	1
3	NS-031-19	Stop Nut 1/4-20 (SST).....	2
4	NS-031-19	Stop Nut 1/4-20 (SST).....	4
5	SC-125-15	Mach. Screw 1/4-20 x 1/2 Phil. Truss Hd. ....	4
6	00-936574-00002	Trim – Tank End (RH) (CL44e, L-R & R-L) (CL54e, R-L) .....	1
7	00-919867	Trim – Panel Right End (CL44e, L-R & R-L) (CL54e, R-L) .....	1
8	00-919867-00002	Trim – Panel Right End (CL54e, L-R).....	1
9	SC-125-15	Mach. Screw 1/4-20 x 1/2 Phil. Truss Hd. ....	4
10	00-919866	Trim – Front Panel .....	1
11	SC-125-15	Mach. Screw 1/4-20 x 1/2 Phil. Truss Hd. ....	2
12	00-288946-00002	Foot – Adjustable .....	4
13	SC-125-15	Mach. Screw 1/4-20 x 1/2 Phil. Truss Hd. ....	4
14	00-919875	Trim – Panel Left End (CL44e, L-R & R-L) (CL54e, L-R) .....	1
15	00-919875-00002	Trim – Panel Left End (CL54e, R-L) .....	1
16	00-936574-00001	Trim – Tank End (LH) (CL44e, L-R & R-L) (CL54e, L-R) .....	1
17	SC-125-15	Mach. Screw 1/4-20 x 1/2 Phil. Truss Hd. ....	4
18	NS-031-19	Stop Nut 1/4-20 (SST).....	4
19	SC-041-05	Cap Screw 1/4-20 x 5/8 Hex Hd. (SST) .....	3
	00-294677-00002	Clamp – Wire 1/4 In. ....	AR
	00-294677-00003	Clamp – Wire 1/2 In. ....	AR
	00-294677-00004	Clamp – Wire 3/4 In. ....	AR
	00-294677-00005	Clamp – Wire 1 1/2 In. ....	AR
	00-748192	Clamp – Conduit 1 1/2 In. ....	AR
	NS-047-94	Speed Nut (Use With Clamps).....	AR



PL-58686

**CL54e FLOWBACK AND PANELS**

**CL54e FLOWBACK AND PANELS**

ILLUS. PL-58686	PART NO.	NAME OF PART	AMT.
1	00-936074-00001	Panel – Chamber Trim (STD) .....	1
2	00-936074-00002	Panel – Chamber Trim (HTS) .....	1
3	00-936075	Panel – Bottom Trim (10 In.).....	1
4	00-936093	Trim Assy. – Panel Mount (10 In.).....	1
5	NS-036-19	Stop Nut <sup>5</sup> / <sub>16</sub> -18 Hex.....	2
6	00-557627	Clamp – Hose .....	1
7	00-936468	Hose (1 In. I.D. x 26 <sup>1</sup> / <sub>2</sub> In. Lg.) .....	1
8	00-557627	Clamp – Hose .....	1
9	NS-036-19	Stop Nut <sup>5</sup> / <sub>16</sub> -18 Hex.....	2
10	00-936312	Bulkhead – Drain 1 In. Hose.....	1
11	00-276407	Gasket – Rinse Pipe .....	1
12	SC-041-10	Cap Screw <sup>5</sup> / <sub>16</sub> -18 x <sup>5</sup> / <sub>8</sub> Hex Hd. (SST).....	2
13	00-936310	Fitting – Drain 90 Deg.....	1
14	00-276407	Gasket – Rinse Pipe .....	1
15	SC-041-10	Cap Screw <sup>5</sup> / <sub>16</sub> -18 x <sup>5</sup> / <sub>8</sub> Hex Hd. (SST).....	2
16	00-935968	Support – Tank.....	1

