



CATALOG OF REPLACEMENT PARTS



CLe SERIES DISHWASHER SUPPLEMENT

SECTION 1 (PAGES 4 THRU 9) GAS HEAT

This section contains replacement parts for machines built with Gas Heat.

SECTION 2 (PAGES 10 THRU 15) STEAM HEAT

This section contains replacement parts for machines built with Steam Heat.

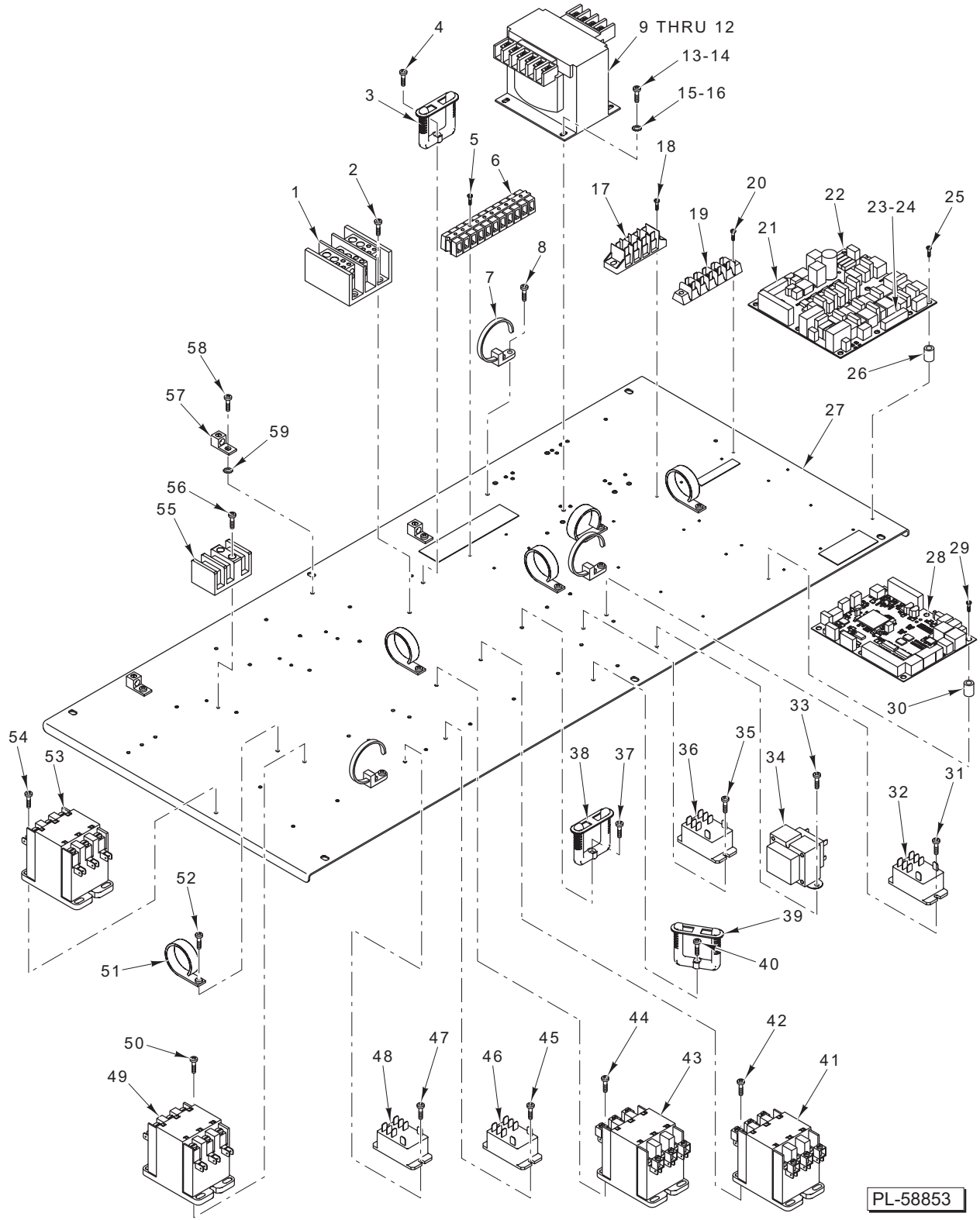
Supplement to C44e and C54e Series Dishwasher Replacement Parts Catalog Form 43150 and CL64e Series Dishwasher Replacement Parts Catalog Form 43151.

A product of HOBART 701 S. RIDGE AVENUE TROY, OHIO 45374-0001

FORM 43158 (October 2008)

TABLE OF CONTENTS

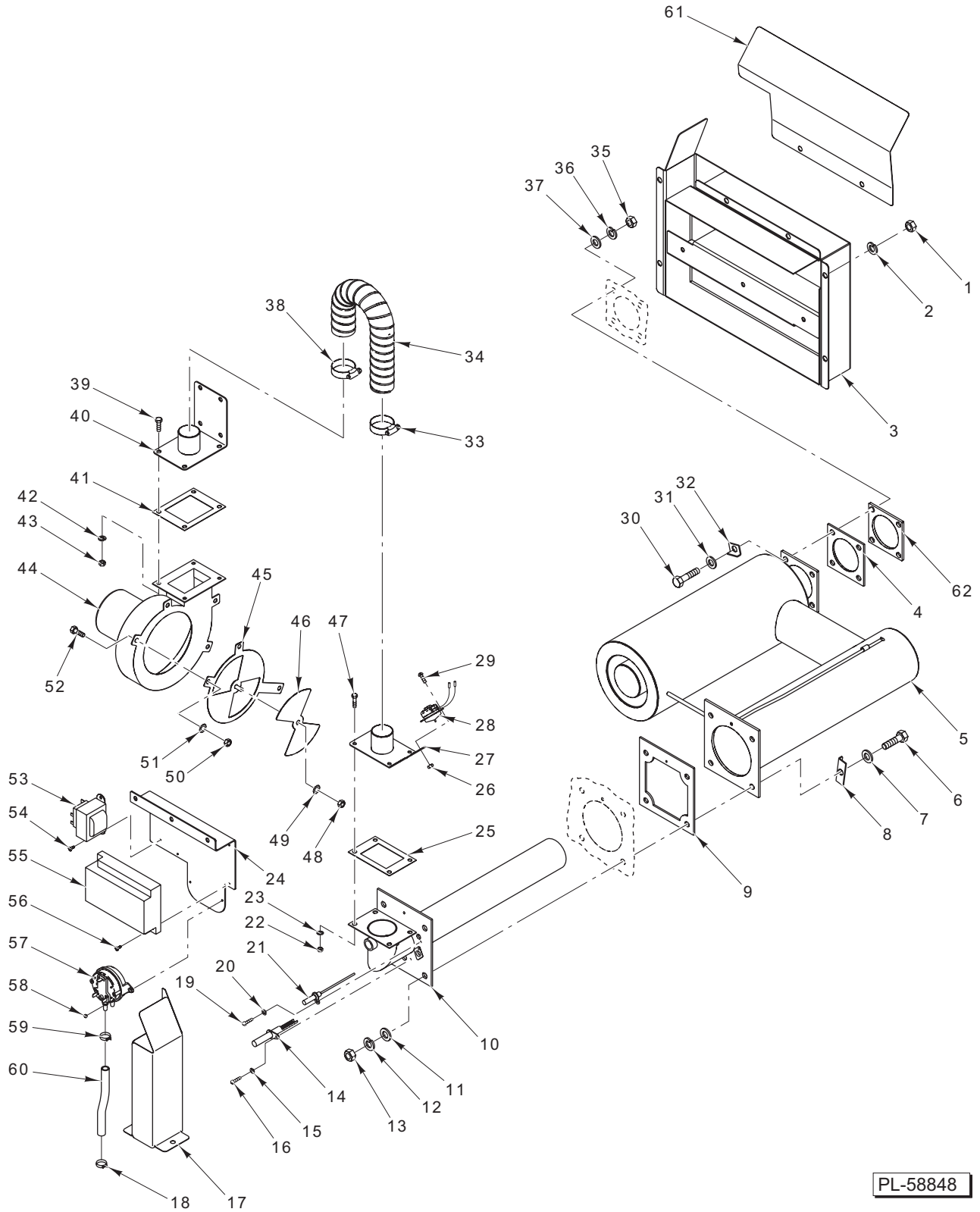
5	COMPONENT PANEL (GAS HEAT)
7	GAS HEAT COMPONENTS
8	GAS HEAT PIPING
9	COMMON GAS PIPING (CL64e)
11	COMPONENT PANEL (STEAM HEAT)
13	STEAM COIL AND RETURN
14	STEAM INLET PIPING
15	COMMON STEAM PIPING (CL64e)



COMPONENT PANEL (GAS HEAT)

COMPONENT PANEL (GAS HEAT)

ILLUS.	PART NO.	NAME OF PART	AMT.
	PL-58853		
1	00-119031	Block -Terminal (Booster Only).....	1
2	SD-008-25	Self-Tapping Screw 10-16 x 1/2 Phil. Pan Hd., Type B (Booster Only).....	2
3	00-476946-00001	Clamp – D With Keeper Bar.....	1
4	SD-008-25	Self-Tapping Screw 10-16 x 1/2 Phil. Pan Hd., Type B.....	1
5	SD-019-29	Self-Tapping Screw 6-20 x 1/2 Phil. Pan Hd., Type B.....	2
6	00-814301-00003	Block – Terminal.....	1
7	00-328678	Clamp – Tie.....	3
8	SD-008-25	Self-Tapping Screw 10-16 x 1/2 Phil. Pan Hd., Type B.....	3
9	00-294500-046-3	Transformer (150 VA, 300 VA) (CL44e & CL54e) (Use Items 13 & 15).....	1
10	00-294500-00041	Transformer (150 VA, 300 VA) (CL64e) (Use Items 13 & 15).....	1
11	00-294500-024-6	Transformer (600 VA) (CL44e & CL54e) (Use Items 14 & 16).....	1
12	00-294500-00042	Transformer (600 VA) (CL64e) (Use Items 14 & 16).....	1
13	SD-008-25	Self-Tapping Screw 10-16 x 1/2 Phil. Pan Hd., Type B.....	4
14	SD-035-77	Self-Tapping Screw 1/4-20 x 3/8 Phil. Pan Hd., Type TT.....	4
15	WL-014-07	Lockwasher #10 External (SST).....	4
16	WL-007-15	Lockwasher 1/4 External.....	4
17	00-936138	Block Terminal – Single Row.....	1
18	SD-019-29	Self-Tapping Screw 6-20 x 1/2 Phil. Pan Hd., Type B.....	2
19	00-919742	Block Terminal – Single Row.....	1
20	SD-019-29	Self-Tapping Screw 6-20 x 1/2 Phil. Pan Hd., Type B.....	2
21	FE-016-40	Fuse (1.0 Amp., 250 V.) (F2).....	1
22	00-919472-00002	Board Assy. – Relay (Incls. Fuses).....	1
23	FE-023-25	Fuse (5 Amp., 250 V.) (F1) (CL44e & CL54e).....	1
24	FE-026-77	Fuse (6.25 Amp., 250 V.) (F1) (CL64e).....	1
25	SD-008-18	Self-Tapping Screw 8-18 x 3/8 Phil. Bndg. Hd., Type B.....	4
26	00-476653	Spacer – Circuit Board.....	9
27	00-936181	Base Plate – Control Box.....	1
28	00-919471-00002	Board Assy. – Control.....	1
29	SD-008-18	Self-Tapping Screw 8-18 x 3/8 Phil. Bndg. Hd., Type B.....	4
30	00-476653	Spacer – Circuit Board.....	6
31	SD-008-25	Self-Tapping Screw 10-16 x 1/2 Phil. Pan Hd., Type B.....	2
32	00-087714-046-1	Relay – 2-Pole (30 Amp.).....	1
33	SD-008-25	Self-Tapping Screw 10-16 x 1/2 Phil. Pan Hd., Type B.....	2
34	00-294500-00056	Transformer (30 VA, 50/60 Hz.).....	1
35	SD-008-25	Self-Tapping Screw 10-16 x 1/2 Phil. Pan Hd., Type B.....	2
36	00-087714-046-1	Relay – 2-Pole (30 Amp.).....	1
37	SD-008-25	Self-Tapping Screw 10-16 x 1/2 Phil. Pan Hd., Type B.....	1
38	00-476946-00001	Clamp – D With Keeper Bar.....	1
39	00-476946-00001	Clamp – D With Keeper Bar.....	1
40	SD-008-25	Self-Tapping Screw 10-16 x 1/2 Phil. Pan Hd., Type B.....	1
41	00-918322	Contactactor (40 Amp., 2-Pole) (15 kW or 30 kW Booster Only).....	1
42	SD-008-25	Self-Tapping Screw 10-16 x 1/2 Phil. Pan Hd., Type B.....	2
43	00-918322	Contactactor (40 Amp., 2-Pole) (30 kW Booster Only).....	1
44	SD-008-25	Self-Tapping Screw 10-16 x 1/2 Phil. Pan Hd., Type B.....	2
45	SD-008-25	Self-Tapping Screw 10-16 x 1/2 Phil. Pan Hd., Type B.....	2
46	00-087714-046-1	Relay – 2-Pole (30 Amp.) (1 or 2 Tank).....	1
47	SD-008-25	Self-Tapping Screw 10-16 x 1/2 Phil. Pan Hd., Type B.....	2
48	00-087714-046-1	Relay – 2-Pole (30 Amp.) (2 Tank Only).....	1
49	00-087713-040-2	Contactactor (30 Amp., 3-Pole).....	1
50	SD-008-25	Self-Tapping Screw 10-16 x 1/2 Phil. Pan Hd., Type B.....	2
51	00-294677-00005	Clamp – Wire 1 1/2 In.....	5
52	SD-008-25	Self-Tapping Screw 10-16 x 1/2 Phil. Pan Hd., Type B.....	5
53	00-087713-040-2	Contactactor (30 Amp., 3-Pole).....	1
54	SD-008-36	Self-Tapping Screw 8-18 x 7/8 Phil. Rd. Hd., Type B.....	2
55	00-294325-015-1	Block – Terminal.....	1
56	SD-008-25	Self-Tapping Screw 10-16 x 1/2 Phil. Pan Hd., Type B.....	2
57	00-118544-00002	Lug – Solderless.....	AR
58	SD-035-77	Self-Tapping Screw 1/4-20 x 3/8 Phil. Pan Hd., Type TT.....	AR
59	WL-007-15	Lockwasher 1/4 External.....	AR

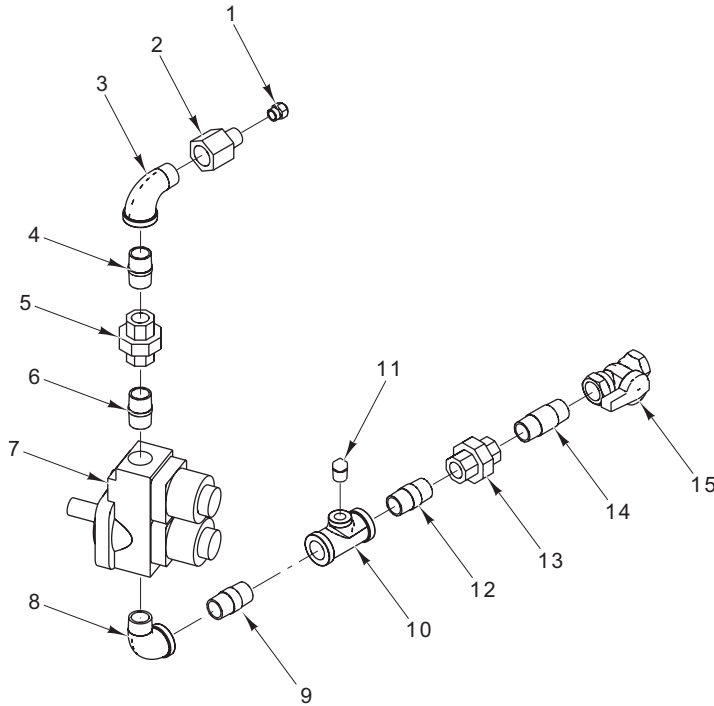


PL-58848

GAS HEAT COMPONENTS

GAS HEAT COMPONENTS

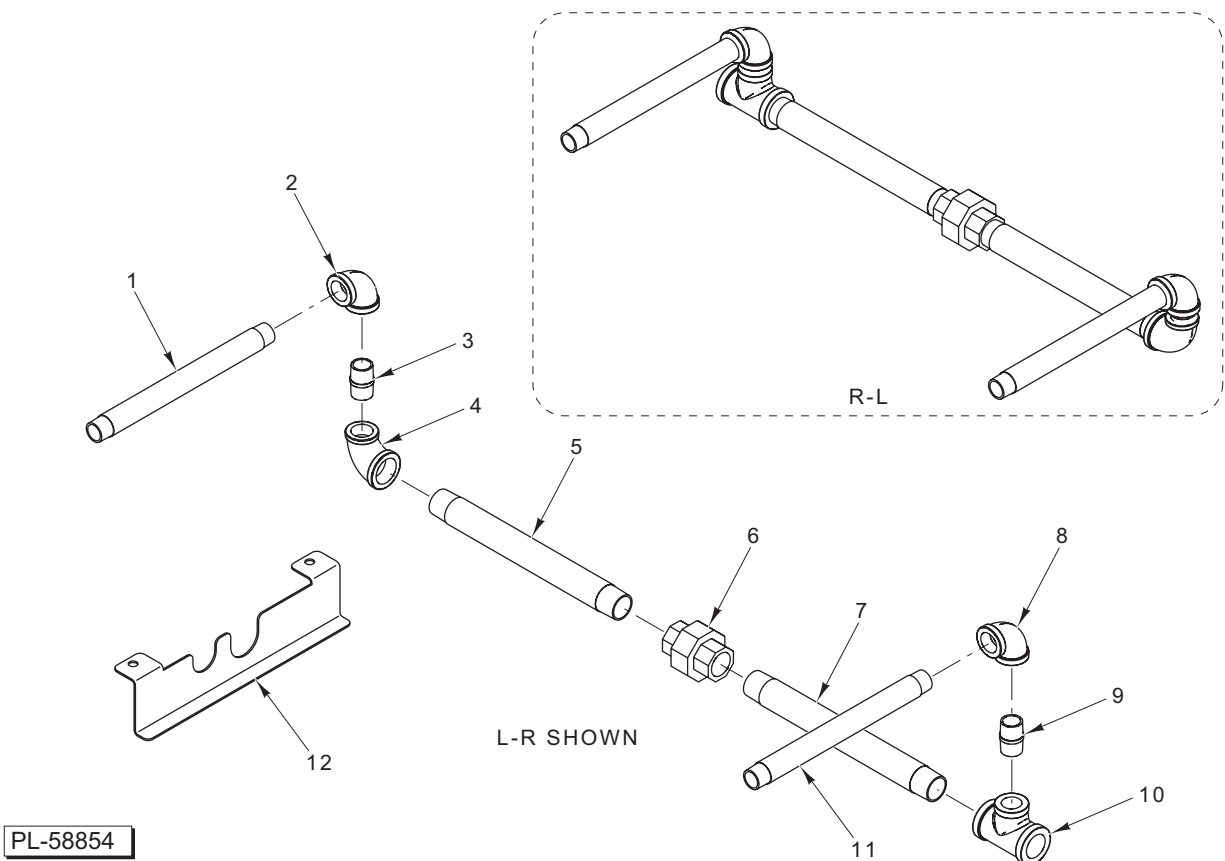
ILLUS.	PART NO.	NAME OF PART	AMT.
PL-58848			
1	NS-031-21	Stop Nut 1/4-20 Hex.....	6
2	WL-014-10	Lockwasher 1/4 External.....	6
3	00-919455	Shroud Assy.....	1
4	00-919457	Gasket – Immersion Tube.....	1
5	00-919470	Tube – Immersion.....	1
6	SC-041-31	Cap Screw 3/8-16 x 1 1/4 Hex Hd.....	4
7	WS-028-22	Washer.....	4
8	00-936585	Stop – Hex Head.....	4
9	00-919456	Gasket – Immersion Tube.....	1
10	00-919458	Burner – Infrared.....	1
11	WS-028-22	Washer.....	4
12	WL-006-28	Lockwasher 3/8 Helical.....	4
13	NS-015-13	Nut 3/8-16 Hex.....	4
14	00-748571-00002	Ignitor (With Terminals).....	1
15	WL-006-02	Lockwasher #8 Helical.....	1
16	SC-021-13	Mach. Screw 8-32 x 1/4 Slotted Rd. Hd.....	1
17	00-936636	Tube – Gas Intake.....	1
18	00-113156-00001	Clamp – Hose (Spring Action).....	1
19	SC-021-13	Mach. Screw 8-32 x 1/4 Slotted Rd. Hd.....	1
20	WL-006-02	Lockwasher #8 Helical.....	1
21	00-748572	Electrode Assy.....	1
22	NS-031-21	Stop Nut 1/4-20 Hex.....	4
23	WL-014-10	Lockwasher 1/4 External.....	4
24	00-919355	Plate – Base (Under Tank).....	1
25	00-919922	Seal – Blower.....	1
26	NS-031-50	Stop Nut 6-32 Hex.....	2
27	00-919475	Plate – Air Tube Weldment.....	1
28	00-271123	Protector – High Limit.....	1
29	SC-021-08	Mach. Screw 6-32 x 3/8 Slotted Rd. Hd.....	2
30	SC-041-31	Cap Screw 3/8-16 x 1 1/4 Hex Hd.....	4
31	WS-028-22	Washer.....	4
32	00-892710	Stop – Hex Head.....	4
33	00-557579	Clamp.....	1
34	00-919930	Tube – Blower Intake.....	1
35	NS-015-13	Nut 3/8-16 Hex.....	4
36	WL-006-28	Lockwasher 3/8 Helical.....	4
37	WS-028-22	Washer.....	4
38	00-557579	Clamp.....	1
39	SC-041-05	Cap Screw 1/4-20 x 5/8 Hex Hd.....	4
40	00-919480	Mount – Blower Weldment.....	1
41	00-919923	Seal – Blower.....	1
42	WL-014-10	Lockwasher 1/4 External.....	4
43	NS-031-21	Stop Nut 1/4-20 Hex.....	4
44	00-919892	Blower – Gas.....	1
45	00-919916	Intake – Air Weldment.....	1
46	00-919917	Plate – Air Intake Adjuster.....	1
47	SC-041-05	Cap Screw 1/4-20 x 5/8 Hex Hd.....	4
48	NS-031-21	Stop Nut 1/4-20 Hex.....	3
49	WL-014-10	Lockwasher 1/4 External.....	3
50	NS-031-21	Stop Nut 1/4-20 Hex.....	3
51	WL-014-10	Lockwasher 1/4 External.....	3
52	SC-041-05	Cap Screw 1/4-20 x 5/8 Hex Hd.....	3
53	00-294500-040-1	Transformer (30 VA, 50/60 Hz.).....	1
54	SD-038-02	Self-Tapping Screw 6-20 x 5/8 Phil. Pan Hd., Type B.....	2
55	00-748512	Board – Ignitor (24 VAC).....	1
56	SD-038-02	Self-Tapping Screw 6-20 x 5/8 Phil. Pan Hd., Type B.....	2
57	00-918116-00001	Switch – Air.....	1
58	NS-031-21	Stop Nut 1/4-20 Hex.....	2
59	00-113156-00001	Clamp – Hose (Spring Action).....	1
60	00-548241	Tube – Rubber.....	1
61	00-936753	Rail – Deflector.....	1
62	00-936757	Flange – Exhaust Mounting.....	1
	00-936663	Panel – Bottom (CL64e Series) (R-L, L-R LH Tank).....	1
	00-936665	Panel – Bottom (CL44e & CL54e Series R-L) (CL64e Series R-L RH Tank).....	1
	00-936667	Panel – Bottom (CL44e & CL54e Series L-R) (CL64e Series L-R RH Tank).....	1



PL-58849

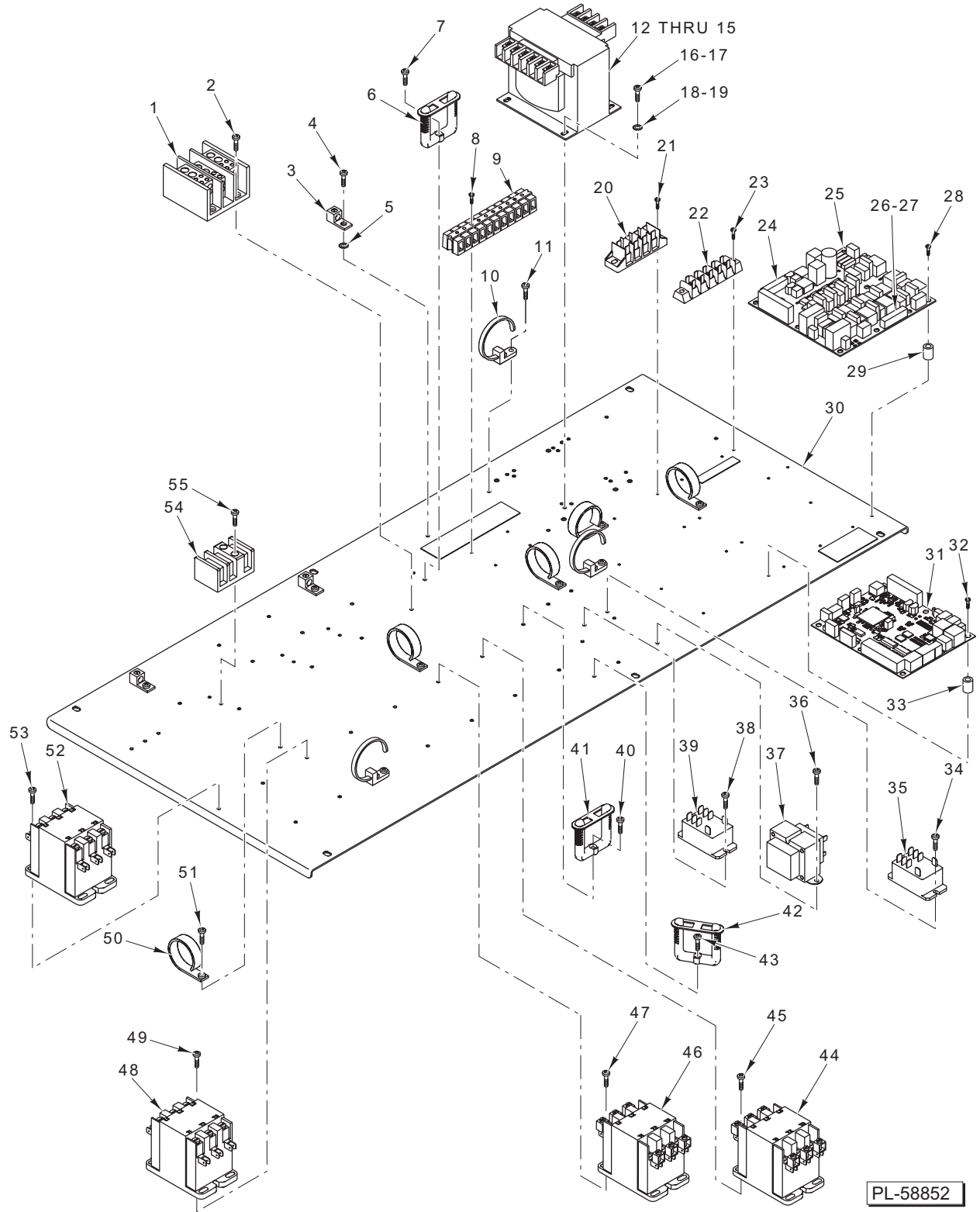
GAS HEAT PIPING

ILLUS. PL-58849	PART NO.	NAME OF PART	AMT.
1	00-893149-00003	Orifice (NAT)	1
2	00-893132	Adapter 1/2 to 7/16-20	1
3	FP-013-17	Elbow Pipe 1/2 x 90 Deg.	1
4	FP-035-91	Pipe 1/2 x 1 1/8 TBE.....	1
5	FP-022-11	Union – Pipe (1/2 Straight)	1
6	FP-035-91	Pipe 1/2 x 1 1/8 TBE.....	1
7	00-328426-00004	Valve – Regulator (NAT)	1
8	FP-013-17	Elbow Pipe 1/2 x 90 Deg.	1
9	FP-035-91	Pipe 1/2 x 1 1/8 TBE.....	1
10	FP-084-31	Tee Pipe 1/2 x 1/2 x 1/4	1
11	FP-028-06	Pipe Plug 1/4 Sq. Hd.	1
12	FP-035-91	Pipe 1/2 x 1 1/8 TBE.....	1
13	FP-022-11	Union – Pipe (1/2 Straight)	1
14	FP-035-96	Pipe 1/2 x 2 1/2 TBE	1
15	00-291988-00003	Valve – Gas (Shut Off).....	1



COMMON GAS PIPING (CL64e)

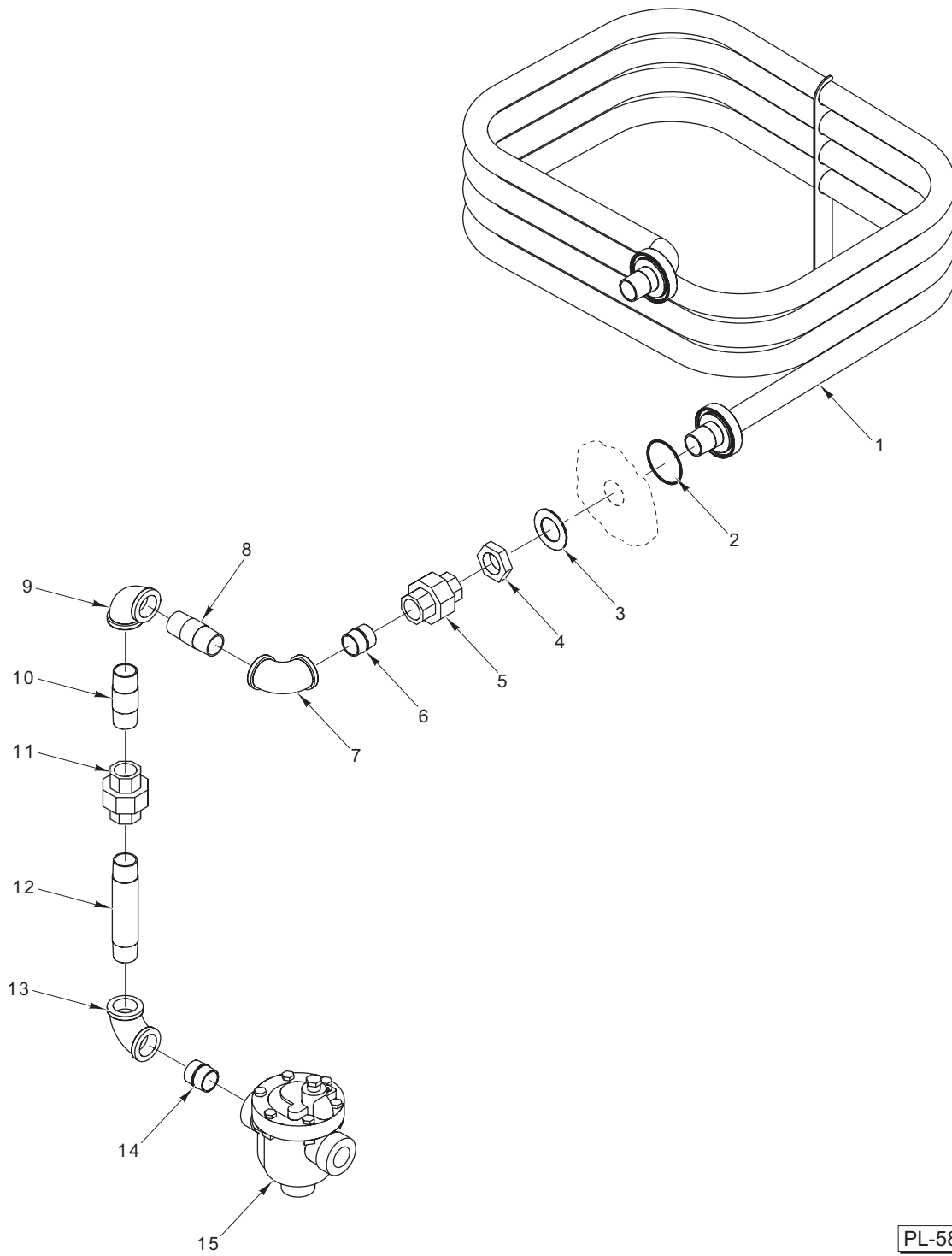
ILLUS.	PART NO.	NAME OF PART	AMT.
PL-58854			
1	FP-059-87	Pipe 1/2 x 8 1/2 TBE	1
2	FP-013-15	Elbow Pipe 1/2 x 90 Deg.	1
3	FP-059-61	Pipe 1/2 x 1 1/4 TBE.....	1
4	FP-078-89	Elbow Pipe – Reducing 3/4 to 1/2.....	1
5	FP-080-75	Pipe 3/4 x 9 TBE.....	1
6	FP-022-17	Union – Pipe (3/4 Straight)	1
7	FP-080-75	Pipe 3/4 x 9 TBE.....	1
8	FP-013-15	Elbow Pipe 1/2 x 90 Deg.	1
9	FP-059-61	Pipe 1/2 x 1 1/4 TBE.....	1
10	FP-019-33	Tee Pipe 3/4 x 3/4 x 1/2	1
11	FP-059-87	Pipe 1/2 x 8 1/2 TBE	1
12	00-936630	Support – Piping	1



COMPONENT PANEL (STEAM HEAT)

COMPONENT PANEL (STEAM HEAT)

ILLUS. PL-58852	PART NO.	NAME OF PART	AMT.
1	00-119031	Block -Terminal (Booster Only).....	1
2	SD-008-25	Self-Tapping Screw 10-16 x 1/2 Phil. Pan Hd., Type B (Booster Only).....	2
3	00-118544-00002	Lug – Solderless.....	AR
4	SD-035-77	Self-Tapping Screw 1/4-20 x 3/8 Phil. Pan Hd., Type TT.....	AR
5	WL-007-15	Lockwasher 1/4 External.....	AR
6	00-476946-00001	Clamp – D With Keeper Bar.....	1
7	SD-008-25	Self-Tapping Screw 10-16 x 1/2 Phil. Pan Hd., Type B.....	1
8	SD-019-29	Self-Tapping Screw 6-20 x 1/2 Phil. Pan Hd., Type B.....	2
9	00-814301-00003	Block – Terminal.....	1
10	00-328678	Clamp – Tie.....	3
11	SD-008-25	Self-Tapping Screw 10-16 x 1/2 Phil. Pan Hd., Type B.....	3
12	00-294500-046-1	Transformer (150 VA, 50/60 Hz.).....	1
13	00-294325-046-2	Transformer (300 VA, 50 Hz.) (Machines With 30 kW Booster & Boosters W/Blower Dryer)....	1
14	00-294500-024-4	Transformer (600 VA, 60 Hz.) (Use Items 17 & 19).....	1
15	00-294500-024-5	Transformer (600 VA, 60 Hz.) (Machines With 30 kW Booster & Boosters W/Blower Dryer) (Use Items 17 & 19).....	1
16	SD-008-25	Self-Tapping Screw 10-16 x 1/2 Phil. Pan Hd., Type B.....	4
17	SD-035-77	Self-Tapping Screw 1/4-20 x 3/8 Phil. Pan Hd., Type TT.....	4
18	WL-014-07	Lockwasher #10 External (SST).....	4
19	WL-007-15	Lockwasher 1/4 External.....	4
20	00-936138	Block Terminal – Single Row.....	1
21	SD-019-29	Self-Tapping Screw 6-20 x 1/2 Phil. Pan Hd., Type B.....	2
22	00-919742	Block Terminal – Single Row.....	1
23	SD-019-29	Self-Tapping Screw 6-20 x 1/2 Phil. Pan Hd., Type B.....	2
24	FE-016-40	Fuse (1.0 Amp., 250 V.) (F2).....	1
25	00-919472-00002	Board Assy. – Relay (Incls. Items 23 & 24).....	1
26	FE-022-39	Fuse (1.5 Amp., 250 V.) (F1) (Use With 150 VA Transformer).....	1
27	FE-021-19	Fuse (3.2 Amp., 250 V.) (F1) (Use With 300 VA Trans., 50 Hz., & 30 kW Booster).....	1
28	SD-008-18	Self-Tapping Screw 8-18 x 3/8 Phil. Bndg. Hd., Type B.....	4
29	00-476653	Spacer – Circuit Board.....	9
30	00-936181	Base Plate – Control Box.....	1
31	00-919471-00002	Board Assy. – Control.....	1
32	SD-008-18	Self-Tapping Screw 8-18 x 3/8 Phil. Bndg. Hd., Type B.....	4
33	00-476653	Spacer – Circuit Board.....	6
34	SD-008-25	Self-Tapping Screw 10-16 x 1/2 Phil. Pan Hd., Type B.....	2
35	00-087714-046-1	Relay – 2-Pole (30 Amp.).....	1
36	SD-008-25	Self-Tapping Screw 10-16 x 1/2 Phil. Pan Hd., Type B.....	2
37	00-294500-00056	Transformer (30 VA, 50/60 Hz.).....	1
38	SD-008-25	Self-Tapping Screw 10-16 x 1/2 Phil. Pan Hd., Type B.....	2
39	00-087714-046-1	Relay – 2-Pole (30 Amp.).....	1
40	SD-008-25	Self-Tapping Screw 10-16 x 1/2 Phil. Pan Hd., Type B.....	1
41	00-476946-00001	Clamp – D With Keeper Bar.....	1
42	00-476946-00001	Clamp – D With Keeper Bar.....	1
43	SD-008-25	Self-Tapping Screw 10-16 x 1/2 Phil. Pan Hd., Type B.....	1
44	00-918322	Contactor (40 Amp., 2-Pole) (15 kW or 30 kW Booster Only).....	1
45	SD-008-25	Self-Tapping Screw 10-16 x 1/2 Phil. Pan Hd., Type B.....	2
46	00-918322	Contactor (40 Amp., 2-Pole) (30 kW Booster Only).....	1
47	SD-008-25	Self-Tapping Screw 10-16 x 1/2 Phil. Pan Hd., Type B.....	2
48	00-087713-040-2	Contactor (30 Amp., 3-Pole).....	1
49	SD-008-25	Self-Tapping Screw 10-16 x 1/2 Phil. Pan Hd., Type B.....	2
50	00-294677-00005	Clamp – Wire 1 1/2 In.	5
51	SD-008-36	Self-Tapping Screw 8-18 x 7/8 Phil. Pan Hd., Type B.....	5
52	00-087713-040-2	Contactor (30 Amp., 3-Pole).....	1
53	SD-008-25	Self-Tapping Screw 10-16 x 1/2 Phil. Pan Hd., Type B.....	2
54	00-294325-015-1	Block – Terminal.....	1
55	SD-008-25	Self-Tapping Screw 10-16 x 1/2 Phil. Pan Hd., Type B.....	2

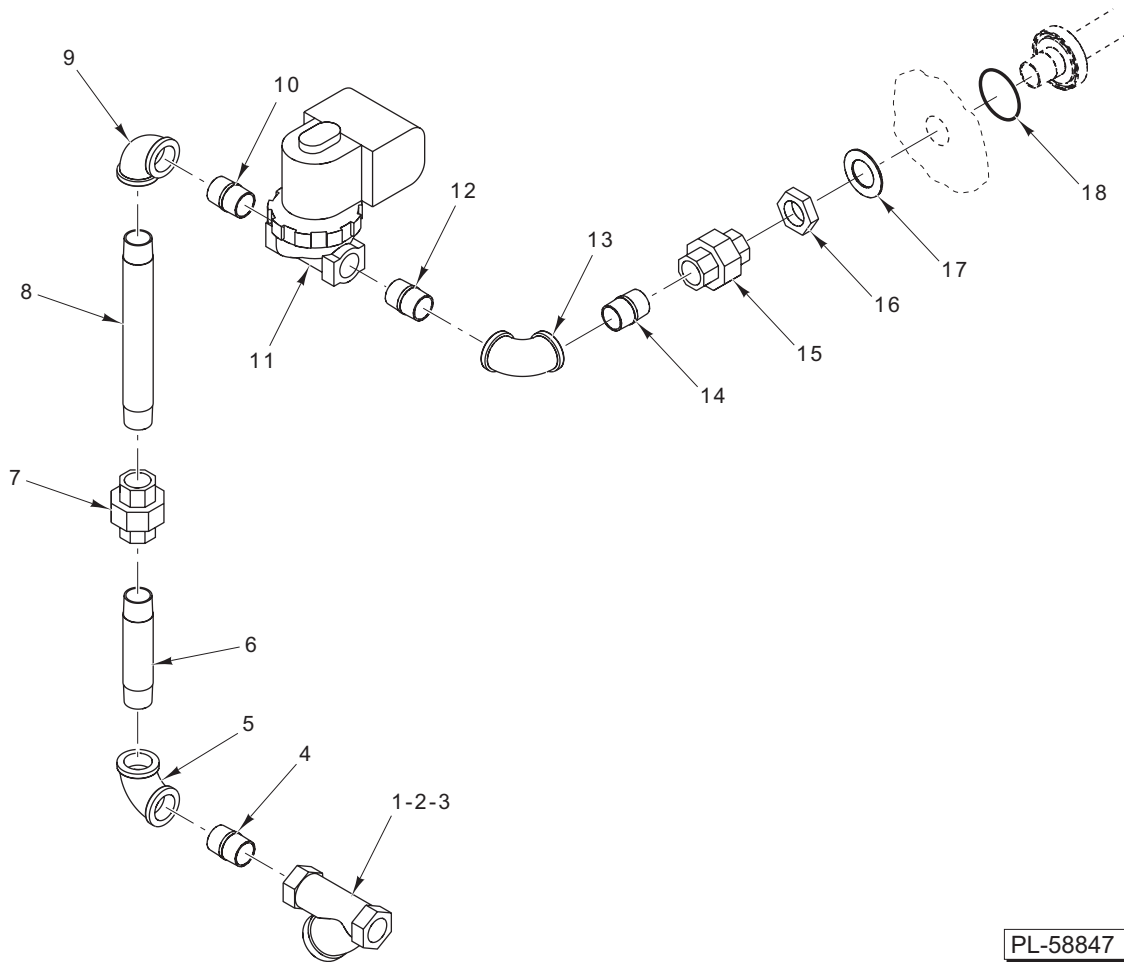


PL-58846

STEAM COIL AND RETURN

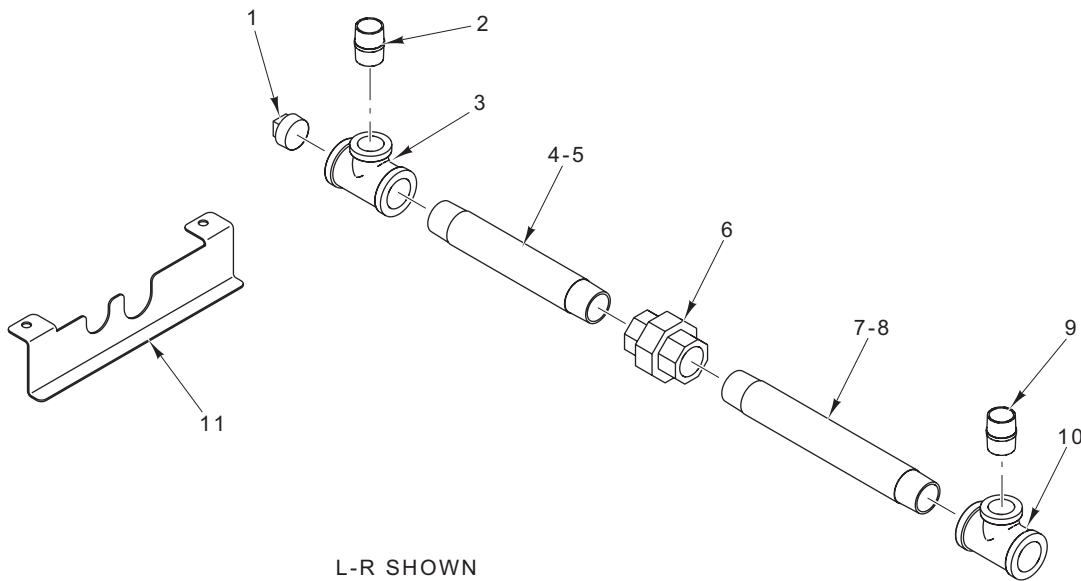
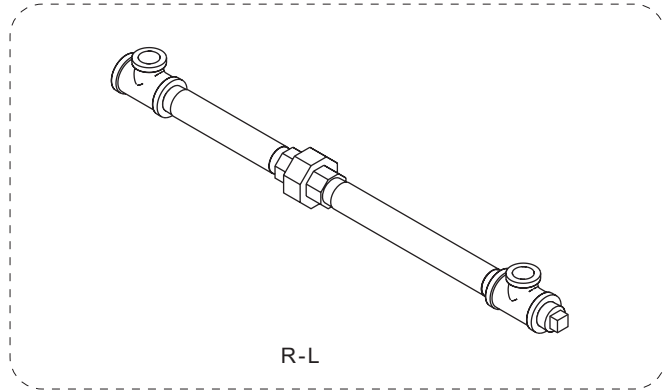
STEAM COIL AND RETURN

ILLUS.	PART NO.	NAME OF PART	AMT.
PL-58846			
1	00-919973	Coil – Steam Weldment	1
2	00-067500-00019	O-Ring	1
3	WS-013-45	Washer	1
4	FP-053-09	Lock Nut ³ / ₄ Pipe	1
5	FP-022-17	Union – Pipe (³ / ₄ Straight)	1
6	FP-085-01	Pipe ³ / ₄ x 1 TBE.....	1
7	FP-013-22	Elbow Pipe ³ / ₄ x 90 Deg.	1
8	FP-036-03	Pipe ³ / ₄ x 2 ³ / ₄ TBE	1
9	FP-013-22	Elbow Pipe ³ / ₄ x 90 Deg.	1
10	FP-036-03	Pipe ³ / ₄ x 2 ³ / ₄ TBE	1
11	FP-022-17	Union – Pipe (³ / ₄ Straight)	1
12	FP-036-10	Pipe ³ / ₄ x 4 ³ / ₄ TBE	1
13	FP-013-22	Elbow Pipe ³ / ₄ x 90 Deg.	1
14	FP-085-01	Pipe ³ / ₄ x 1 TBE.....	1
15	00-118317	Trap – Steam (21-50 PSI).....	1
	00-936662	Panel – Bottom (CL64e Series) (R-L, L-R LH Tank).....	1
	00-936664	Panel – Bottom (CL44e & CL54e Series R-L) (CL64e Series R-L RH Tank).....	1
	00-936666	Panel – Bottom (CL44e & CL54e Series L-R) (CL64e Series L-R RH Tank)	1



STEAM INLET PIPING

ILLUS.	PART NO.	NAME OF PART	AMT.
PL-58847			
1	00-186922	Line Strainer (3/4 In.) (Incls. Items 2 & 3).....	1
2	00-186924	Gasket – Branch Plug.....	1
3	00-186925	Screen – Line Strainer.....	1
4	FP-085-01	Pipe 3/4 x 1 TBE.....	1
5	FP-013-22	Elbow Pipe 3/4 x 90 Deg.....	1
6	FP-059-14	Pipe 3/4 x 4 1/2 TBE.....	1
7	FP-022-17	Union – Pipe (3/4 Straight).....	1
8	FP-036-12	Pipe 3/4 x 7 3/4 TBE.....	1
9	FP-013-22	Elbow Pipe 3/4 x 90 Deg.....	1
10	FP-085-01	Pipe 3/4 x 1 TBE.....	1
11	00-892004-00002	Valve – Solenoid (3/4 Steam).....	1
12	FP-085-01	Pipe 3/4 x 1 TBE.....	1
13	FP-013-22	Elbow Pipe 3/4 x 90 Deg.....	1
14	FP-085-01	Pipe 3/4 x 1 TBE.....	1
15	FP-022-17	Union – Pipe (3/4 Straight).....	1
16	FP-053-09	Lock Nut 3/4 Pipe.....	1
17	WS-013-45	Washer.....	1
18	00-067500-00019	O-Ring.....	1



PL-58855

COMMON STEAM PIPING (CL64e)

ILLUS.	PART NO.	NAME OF PART	AMT.
	PL-58855		
1	FP-028-21	Pipe Plug Sq. Hd.	1
2	FP-085-01	Pipe 3/4 x 1 TBE.....	1
3	FP-019-42	Tee Pipe 1 x 1 x 3/4.....	1
4	FP-059-72	Pipe 1 x 8 1/2 TBE (L-R)	1
5	FP-059-67	Pipe 1 x 9 1/2 TBE (R-L)	1
6	FP-022-23	Union – Pipe	1
7	FP-059-72	Pipe 1 x 8 1/2 TBE (L-R)	1
8	FP-059-67	Pipe 1 x 9 1/2 TBE (R-L)	1
9	FP-085-01	Pipe 3/4 x 1 TBE.....	1
10	FP-019-42	Tee Pipe 1 x 1 x 3/4.....	1
11	00-936630	Support – Piping	1

