

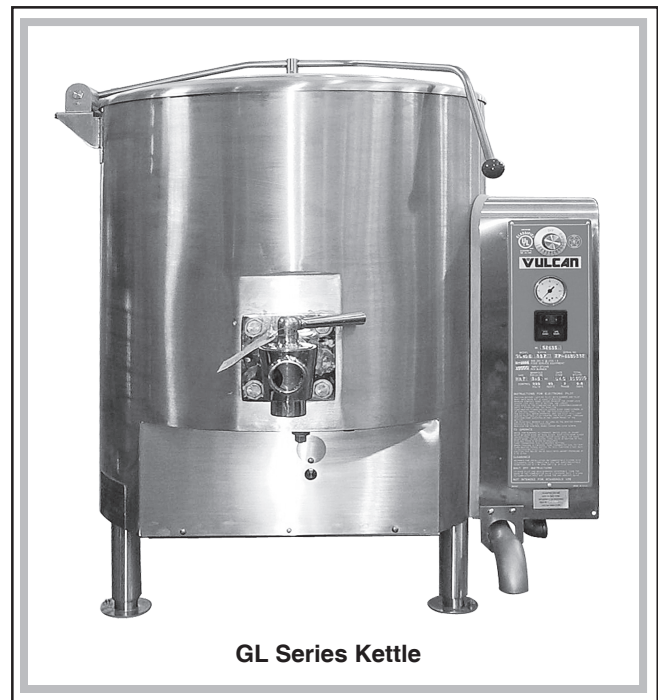
VULCAN

CATALOG OF REPLACEMENT PARTS

GS, GL & GT SERIES FULLY STEAM JACKETED GAS KETTLES

MODEL

GS25E	ML-52633
GS30E	ML-52634
GL40E	ML-52635
GS60E	ML-52660
GL80E	ML-52637
GT100E	ML-52638
GT125E	ML-52639
GT150E	ML-52640



GL Series Kettle

For additional information on Vulcan-Hart or to locate an authorized parts and service provider in your area, visit our website at www.vulcanhart.com

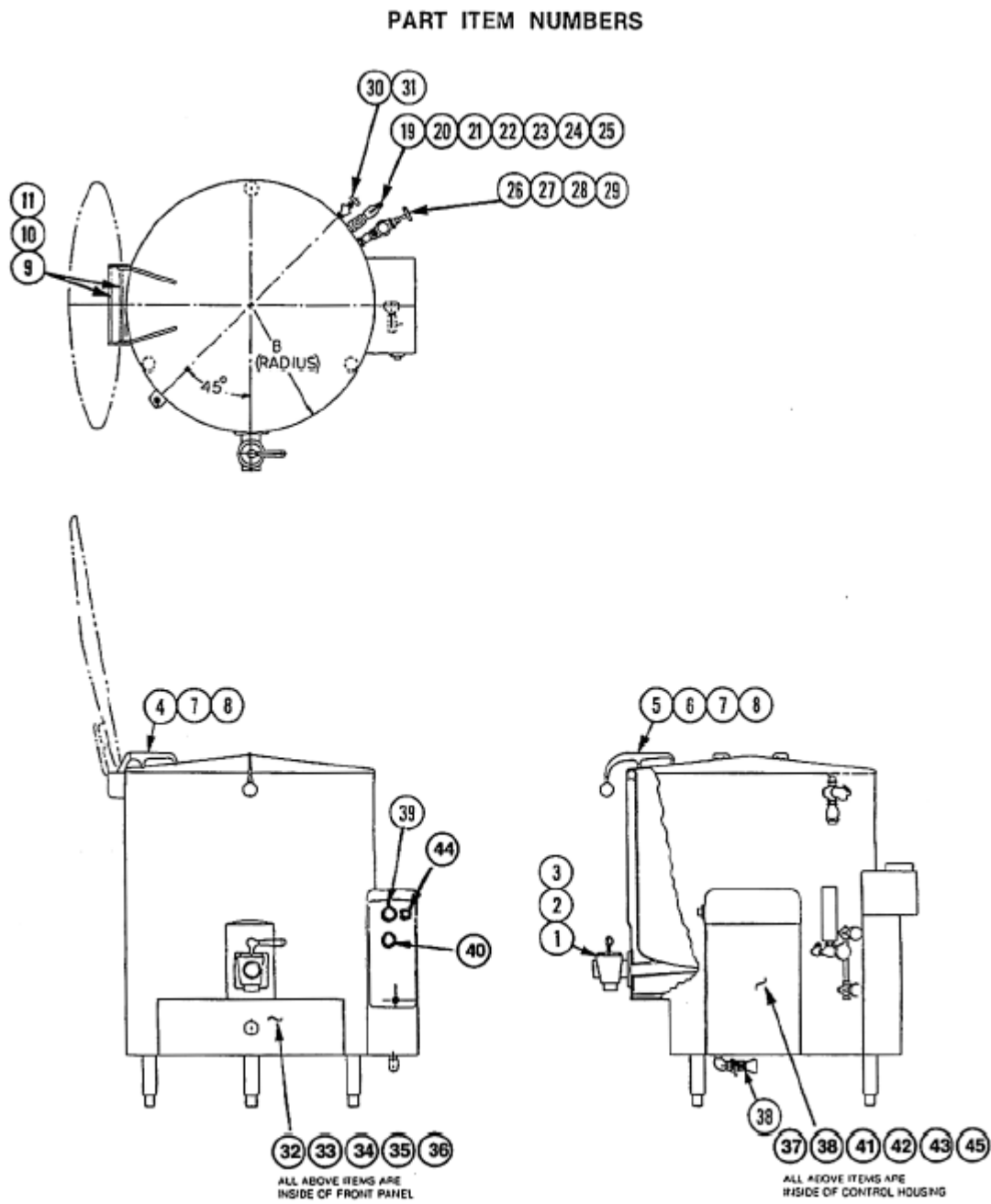


Figure 1

REPLACEMENT PARTS LIST

LLUS. Figure 1	PART NO.	NAME OF PART	AMT.
1	00-817900	2" Faucet (4 Bolt Pattern)	1
2	00-831700	Gasket for 1 1/2" Faucet (Old 2 Bolt Draw-Off)	1
	00-833394	Gasket for 2" or 3" Faucet	1
3	SC-119-36	1 1/2" Faucet Mounting Screw, 1/2-20 x1 1/4	2
	SC-119-36	2" Faucet Mounting Screw 1/2-20 x1 1/4	2
	SC-119-38	3" Faucet Mounting Screw 5/8-18 x1 1/4	4
4	00-817615	Cover Hinge, Left (Standard Cover)	1
	00-817615-00001	Cover Hinge, Right (Standard Cover)	1
5	00-840551	Cover Handle (Standard Cover)	1
	00-853278-00001	Cover Handle (29") (Spring Assist Cover)	1
	00-853279-00001	Cover Handle (36") (Spring Assist Cover)	1
6	00-817564	Cover Handle Ball (Standard Cover)	1
	00-853285-00001	Cover Handle Ball (Spring Assist Cover)	1
7	NS-025-04	Nut, Handle & Hinge to Cover - 1/4-20 S.S. Acorn (Standard Cover)	7
8	NS-047-86	Jam Nut for Item 7 (Standard Cover)	7
9	00-817115-00003	Cover Hinge & Stop Rod - 29" O.D. Kettle (Standard Cover)	2
	00-817115-00005	Cover Hinge & Stop Rod - 36 1/2" O.D. Kettle (Standard Cover)	2
10	NS-025-04	Hinge Rod Acorn Nut, 1/4"-20 (Standard Cover)	4
11	WL-006-17	Lock Washer for Item 10 (Standard Cover)	4
19	00-841496-00001	Pressure Relief Valve 3/4" (15#)	1
	00-841496-00002	Pressure Relief Valve (10#)	1
20	00-833239	Air Vent 3/4"	1
21	00-833238	Vacuum Breaking Check Valve, 1/2"	1
22	FP-083-92	Cross 3/4"	1
23	FP-054-27	3/4" Close Nipple	1
24	FP-054-08	1/2" Close Nipple	1
25	FP-084-16	3/4" x 1/2" Reducing Bushing	1
26	00-836082-00001	Fill Pipe Assy.	1
27	00-833501	Fill Valve	1
28	00-833648	Check Valve	1
29	FP-054-08	1/2" Close Nipple	2
30	00-833493-00011	Gauge Glass Only	1
	00-817098-00005	Washers for Gauge Glass	2
31	00-833493	Gauge Glass Assy. (Complete)	1
32	00-800665-00010	Burner Fitting (Nat. Gas) (#48 DMS) (25" Diameter Kettles)	5
		Burner Fitting (Nat. Gas) (#48 DMS) (33" Diameter Kettles)	8
		Burner Fitting (Nat. Gas) (#48 DMS) (36" Diameter Kettles)	9
	00-800665-00025	Burner Fitting (Nat. Gas) (#49 DMS) (29" Diameter Kettles)	7
	00-800665-00015	Burner Fitting (Nat. Gas) (#50 DMS) (20 1/2" Diameter Kettles)	4
	00-800665-00012	Burner Fitting (LP Gas) (#57 DMS) (All Diameter Kettles)	4 to 9
33	00-833076-00001	Main Burner Assy. (LP and Nat. Gas)	4 to 9
34	00-842997-00001	Pilot Burner (Nat. Gas) (Standing Pilot)	1
	00-817617	Pilot Burner (Pilot Body) (Electronic Ignition) (Prior to Nov., 1998)	1
	00-817617-00001	Pilot Orifice (Nat. Gas) (Electronic Ignition Only)	1
35	00-817617-00002	Pilot Orifice (LP Gas) (Electronic Ignition Only)	1
	00-842997-00002	Pilot Burner (LP Gas) (Standing Pilot)	1
	00-817617	Pilot Burner (Pilot Body) (Electronic Ignition) (Prior to Nov., 1998)	1
	00-819146	Pilot Orifice (Nat. Gas) (Electronic Ignition) (Prior to Nov., 1998)	1
	00-819146-00001	Pilot Orifice (LP Gas) (Electronic Ignition) (Prior to Nov., 1998)	1
	00-844129-00001	Pilot Assy. (Nat. Gas) (Electronic Ignition) (Nov., 1998 to Present)	1
	00-844129-00002	Pilot Assy. (LP Gas) (Electronic Ignition) (Nov., 1998 to Present)	1
	00-844398-00001	Pilot Orifice (LP Gas) (Electronic Ignition) (Nov., 1998 to Present)	1
36	00-906955-00048	Thermocouple Only (Millivoltage Control)	1
	00-906955-00060	Thermocouple Only (Electric Control)	1
	00-821077	Flame Sensor (Electronic Ignition) (Prior to Nov., 1998)	1
37	00-880030	Low Water Cut-off (Complete) (Millivoltage Control)	1
	00-833197-00011	Low Water Cut-off (Switch Only) (Millivoltage Control)	1
	00-880030	Low Water Cut-off (Complete) (Electric Control)	1
	00-833196-00011	Low Water Cut-off (Switch Only) (Electric Control)	1

NOTE: In ordering parts, always give Model and Serial Numbers of the kettle for which they are ordered.

REPLACEMENT PARTS LIST (CONTINUED)

LLUS. Figure 1	PART NO.	NAME OF PART	AMT.
38	00-833153-00010	Combination Control (Nat. Gas) (Millivoltage Control)	1
	00-833153-00011	Combination Control (LP Gas) (Millivoltage Control)	1
	00-880208	Combination Control (Nat. Gas) (Electric Control)	1
	00-880209	Combination Control (LP Gas) (Electric Control)	1
	00-821080	Combination Control (Nat. Gas) (Electronic Ignition) (Prior to Nov., 1998)	1
	00-817362-00001	Combination Control (LP Gas) (Electronic Ignition) (Prior to Nov., 1998)	1
	00-844133-00001	Combination Valve (Nat. Gas) (Electronic Ignition) (Nov., 1998 to Present)	1
	00-844133-00002	Combination Valve (LP Gas) (Electronic Ignition) (Nov., 1998 to Present)	1
39	00-833133	Thermostat (Millivoltage Control)	1
	00-833220	Thermostat (Electric Control)	1
40	00-833152	Pressure Gauge	1
41	00-821078	Ignition Control (Electronic Ignition) (Prior to Nov., 1998)	1
	00-857207-00003	Ignition Module (Honeywell) (Nov., 1998 to Oct., 2003)	1
	00-854043-00001	Ignition Module (Oct., 2003 to Present)	1
42	00-821076	Wiring Harness (Electronic Ignition) (Prior to Nov., 1998)	1
43	00-821075	Transform (Electronic Ignition) (24V) (Prior to Nov., 1998)	1
	00-411500-00012	Transformer (120V) (Nov., 1998 to Present)	1
44	00-821079	Switch, Lighted ON/OFF (Electronic Ignition) (Prior to Oct., 2003)	1
	00-855002-00001	Power Switch W/Indicator Light (Oct., 2003 to Present)	1
45	00-833488	Pressure Limit Switch	1
	00-833651	Rust Inhibitor (Six Ounce Bottle) (2 Ounces per Charge)	1
	00-833652	Petro-Gel (1 Tube)	1
	00-833220-00011	Thermostat Dial (Electronic Ignition)	1
	00-836813	Thermostat Dial (Millivolt Controls)	1
	00-844130-00001	Ignitor Cable (30") (Nov., 1998 to Present)	1
	00-833075	Burner Screen	1
	00-832895	Inspection Hole Cover	1
	00-836799-00010	Black Draw Off Valve Handle	1
	00-851168	3" Draw Off Valve Handle	1
	00-843555	3" Chrome Draw Off Valve Handle	1
	00-842927	Strainer for 1 1/2" Draw Off Valve	1
	00-842439	Strainer for 2" or 3" Draw Off Valve	1
	FP-028-14	Drain Plug	1
	00-831912-00011	Gasket (Between Kettle and Control Box)	1
	00-832948-00001	Control Box Door	1
	RP-002-35	Roll Pin (Keeps Standard Kettle Cover from going all the way back)	1

NOTE: In ordering parts, always give Model and Serial Numbers of the kettle for which they are ordered.

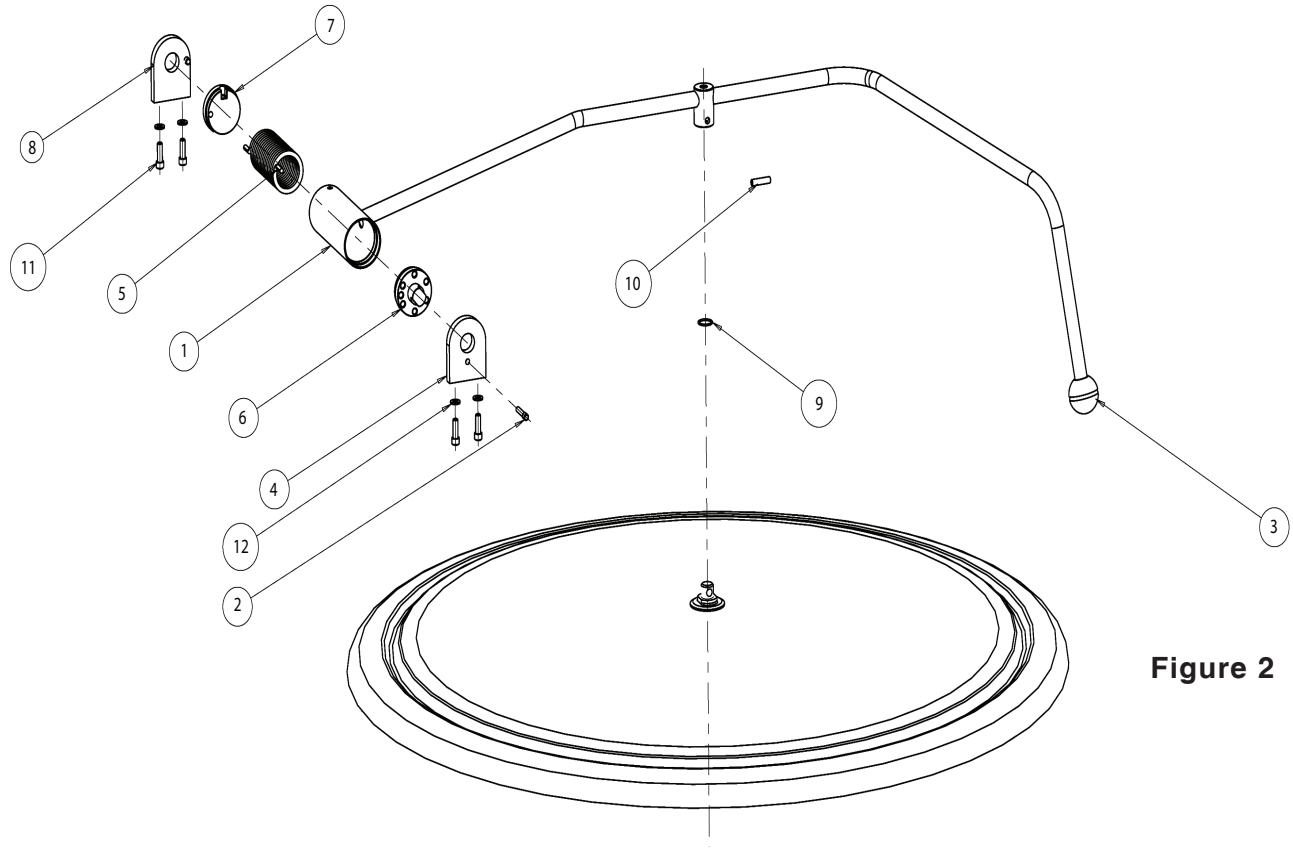


Figure 2

SPRING ASSIST COVER

LLUS. Figure 2	PART NO.	NAME OF PART	AMT.
1	00-853279-00001	Handle, 36", Weldment (60, 80, 100, 125, 150 Gallon Kettles)	1
	00-853278-00001	Handle, 29", Weldment (25, 30, 40 Gallon Kettles)	1
2	00-853284-00001	Pin, Lock	1
3	00-853285-00001	Knob, Press On	1
4	00-853286-00001	Plate, Front	1
5	00-853289-00001	Spring, Torsion	1
6	00-853292-00001	Disc, Tension, Adjustment	1
7	00-853293-00001	Disc, Rotary, Stop	1
8	00-855220-00002	Plate, Rear Weldment	1
9	OR-001-07	"O" Ring (Per Standard 016)	1
10	RP-004-31	Pin, Roll .250 X 1.000	1
11	SC-110-98	1/4-20 x 3/4, S.H.C.S., SST	4
12	WL-006-17	Washer, Lock, Helical 1/4	4

RECOMMENDED SPARE PARTS

PART NO.	NAME OF PART	AMT.
00-833501	Fill Valve	1
00-833648	Check Valve	1
00-833493	Gauge Glass Assy.	1
00-880030	LWCO	1
00-844133-00001	Combination Cont (Electronic) (Nat. Gas)	1
00-844133-00002	Combination Cont (Electronic) (LP Gas)	1
00-833220	Thermostat	1
00-854043-00001	Ignition Module (Built After 9-30-03)	1
00-411500-00012	Transformer	1
00-855002-00001	Switch, Lighted (24V) (Built After 9-30-03)	1
00-833488	Pressure Limit Switch	1
00-844129-00001	Pilot Burner (Electronic Ignition)	1
00-844130-00001	Ignition Cable	1
00-841496-00001	Pressure Relief Valve (15#)	1