



# CATALOG OF REPLACEMENT PARTS

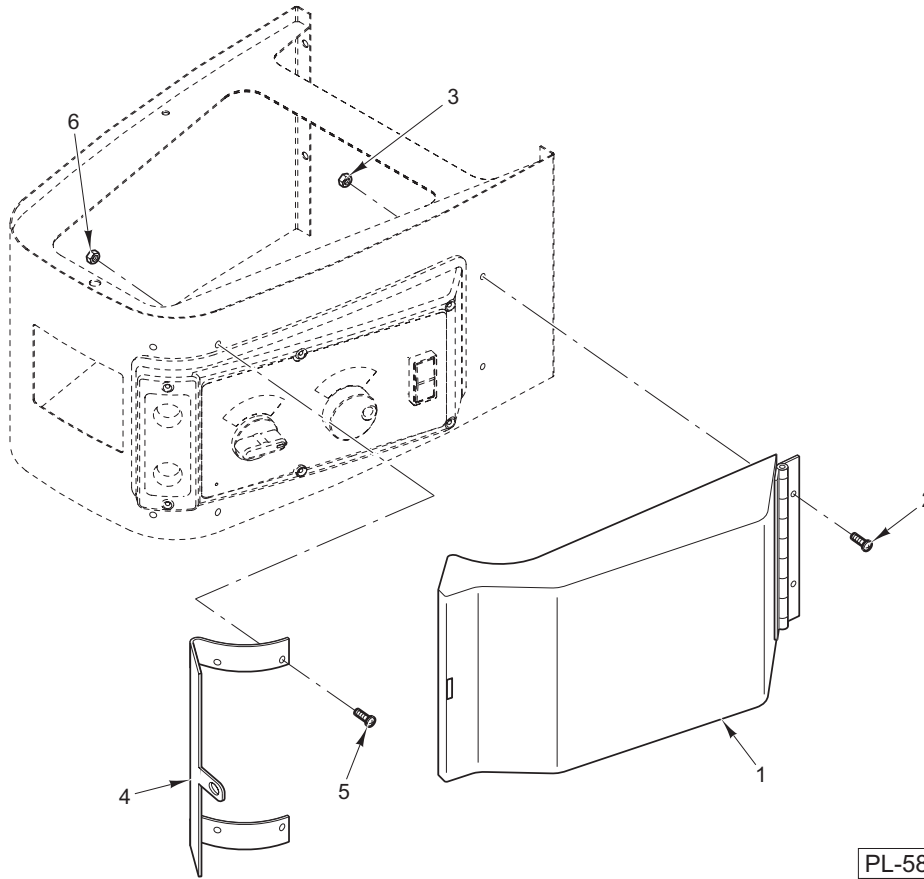


## LEGACY MIXER

HL600	ML-134317
HL661	ML-134342
HL662	ML-134318
HL600C	ML-134341

### Table of Contents

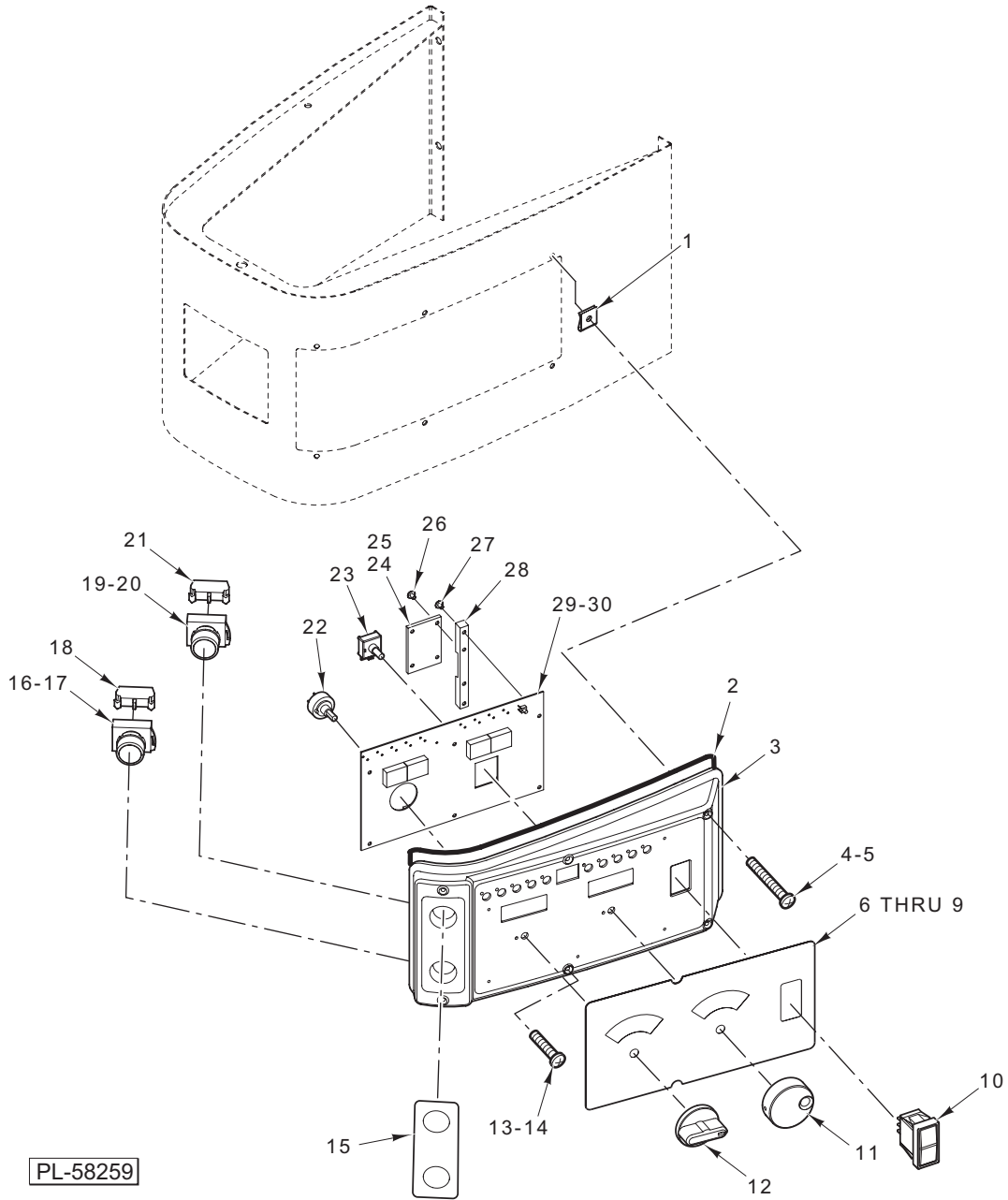
3	CONTROL PANEL COVER (ML-134341)
5	CONTROL PANEL
7	ELECTRICAL COMPONENTS
9	ATTACHMENT HUB
11	BASE AND PEDESTAL
13	BOWL SUPPORT
15	TRANSMISSION CASE AND MOTOR
17	TRANSMISSION
19	PLANETARY
21	BOWL GUARD
23	AGITATORS AND ACCESSORIES



PL-58267

**CONTROL PANEL COVER (ML-134341)**

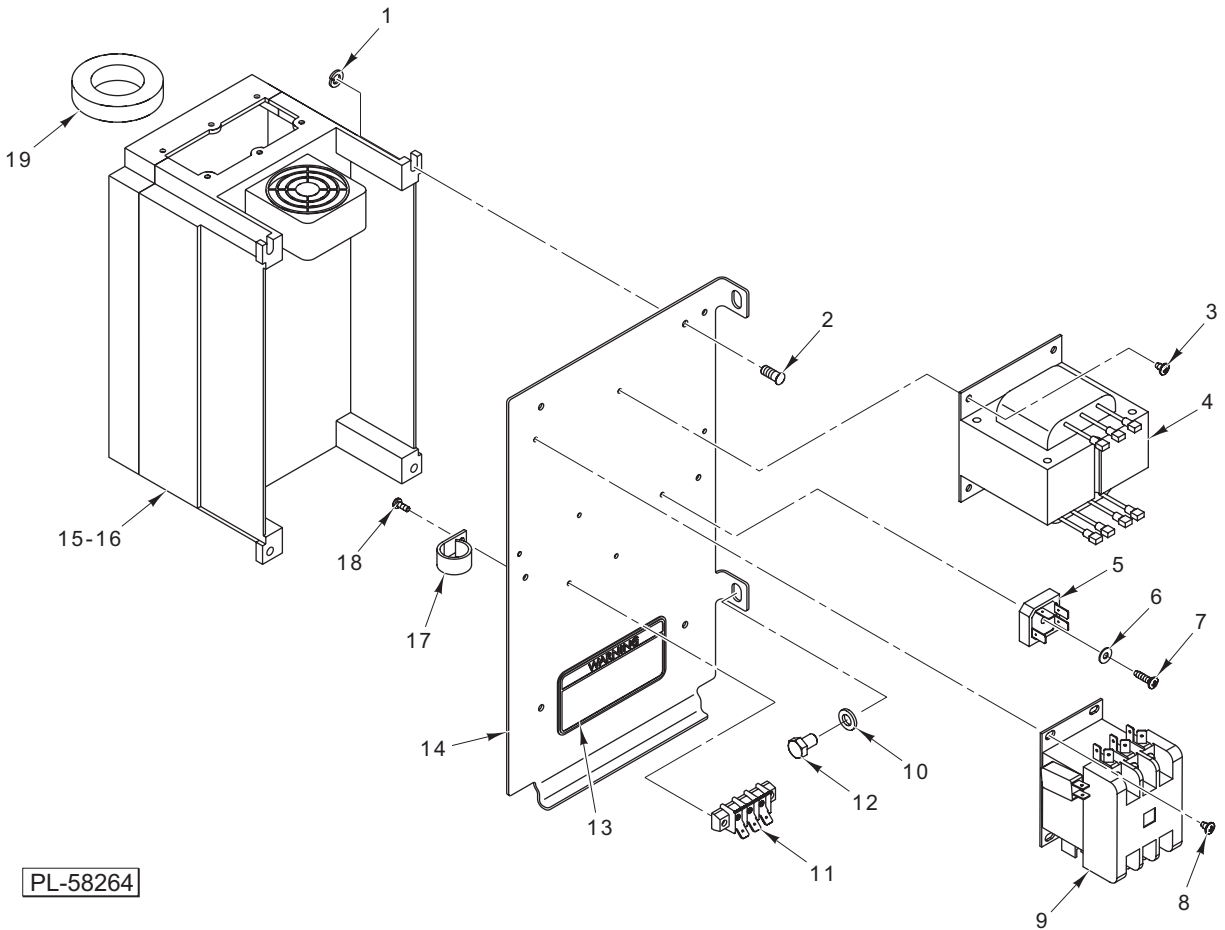
ILLUS.	PART NO.	NAME OF PART	AMT.
PL-58267			
1	00-874526	Cover Assy.....	1
2	SC-128-74	Mach. Screw 1/4-20 x 5/8 Tx. Button Hd. (SST).....	2
3	NS-038-04	Lock Nut 1/4-20 Hex.....	2
4	00-874530	Hasp .....	1
5	SC-128-74	Mach. Screw 1/4-20 x 5/8 Tx. Button Hd. (SST).....	4
6	NS-038-04	Lock Nut 1/4-20 Hex.....	2



**CONTROL PANEL**

**CONTROL PANEL**

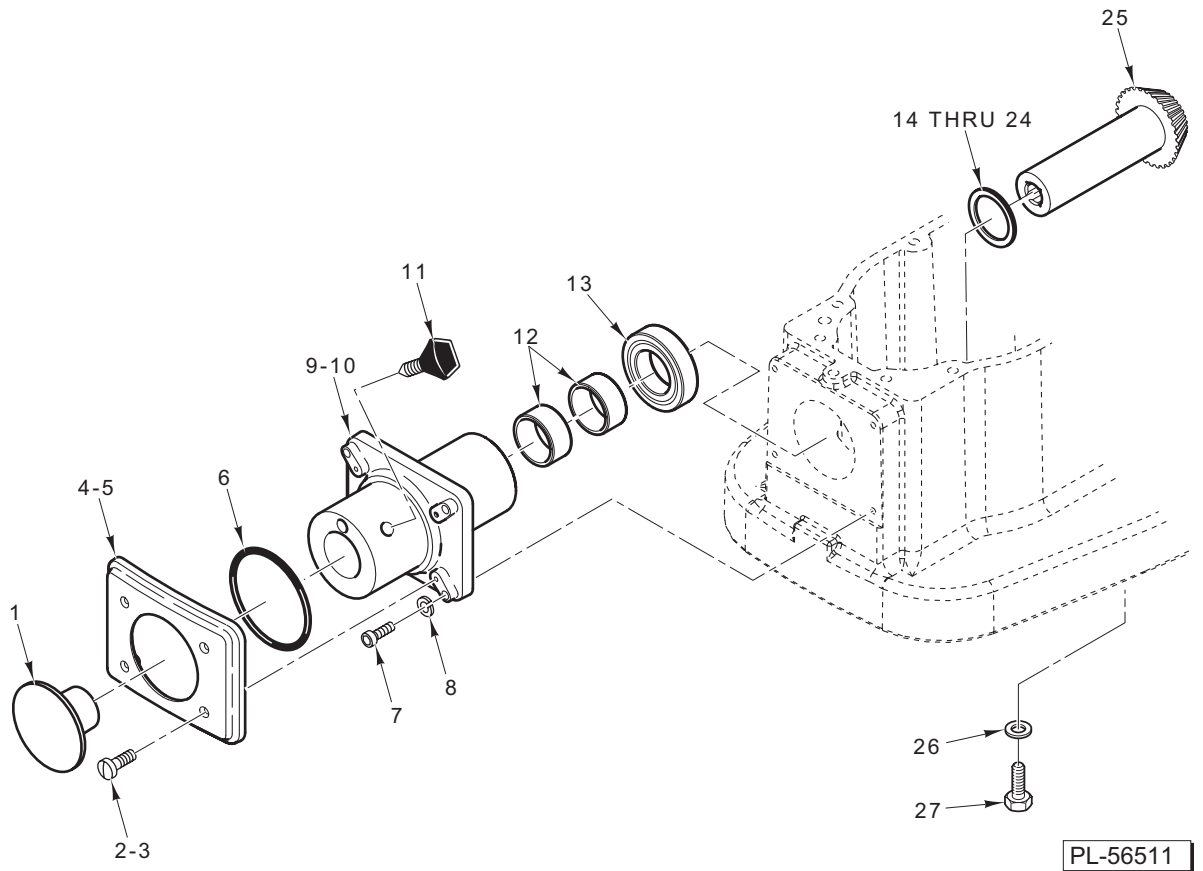
ILLUS.	PART NO.	NAME OF PART	AMT.
PL-58259			
1	00-874338	Fastener – Self-Retaining .....	6
2	00-875814	Seal – Control Panel .....	1
3	00-873945	Panel – Control .....	1
4	SC-128-40	Mach. Screw 8-32 x 2 1/4 Phil. Oval Hd. (SST) .....	2
5	00-874468	Extension – Screw (ML-134341) .....	2
6	00-916231	Overlay (HL600) (Standard Timer) (ML-134317 & ML-134341) .....	1
7	00-916232	Overlay (HL600) (Recipe Timer) (ML-134317) .....	1
8	00-875568	Overlay (HL661) (ML-134342) .....	1
9	00-875569	Overlay (HL662) (ML-134318) .....	1
10	00-087711-330-1	Switch – Rocker (Bowl Lift) .....	1
11	00-875724	Knob – Timer .....	1
12	00-874630	Knob – Speed Selector .....	1
13	SC-128-39	Mach. Screw 8-32 x 1 1/2 Phil. Oval Hd. (SST) .....	4
14	SC-128-84	Mach. Screw 8-32 x 1 1/2 Tx. Flat Hd. (SST) (ML-134341) .....	6
15	00-875963	Label (Mix/Stop) .....	1
16	00-478752-00002	Switch – Operator (Start) .....	1
17	00-478751-00001	Cap – Push Button .....	1
18	00-087711-322-3	Block – Contact (Start) .....	1
19	00-478752-00001	Switch – Operator (Stop) .....	1
20	00-478753-00001	Cap – Push Button (Flush) .....	1
21	00-087711-322-4	Block – Contact (Stop) .....	1
22	00-874631	Potentiometer Assy. (Speed Selector) .....	1
23	00-875723	Encoder Assy. (Time Selector) .....	1
24	00-874922	Interface – Circuit Board Assy. .....	1
25	00-916063	Bumper – Adhesive .....	2
26	SD-038-49	Self-Tapping Screw 6-32 x 1/2 Hex Washer Hd., Type RL .....	2
27	SD-039-23	Self-Tapping Screw 6-32 x 1/4 Hex Washer Hd., Type RL .....	6
28	00-916061	Block – Interface Mounting .....	1
29	00-916560	PCB Assy. (Recipe Timer) (ML-134317) .....	1
30	00-916557	PCB Assy. (Standard Timer) .....	1



**ELECTRICAL COMPONENTS**

**ELECTRICAL COMPONENTS**

ILLUS.	PART NO.	NAME OF PART	AMT.
PL-58264			
1	WL-007-12	Lockwasher #10 External .....	4
2	00-113631-00043	Stud – Self-Clinching .....	4
3	SD-015-39	Self-Tapping Screw 8-32 x 1/4 Phil. Pan Hd., Type TT .....	2
4	00-294500-050-1	Transformer .....	1
5	00-042159	Rectifier – Bridge (100 V., 35 Amp.).....	1
6	WS-019-41	Washer (SST) .....	1
7	SD-012-20	Self-Tapping Screw 8-32 x 1/2 Phil. Truss Hd., Type T .....	1
8	SD-015-39	Self-Tapping Screw 8-32 x 1/4 Phil. Pan Hd., Type TT .....	2
9	00-087713-101-3	Contacto (3P, 30 Amp./Aux.).....	1
10	WL-003-44	Lockwasher 5/16 Helical .....	2
11	00-916269	Block – Terminal.....	1
12	SC-041-09	Cap Screw 5/16-18 x 1/2 Hex Hd. (SST) .....	2
13	00-438131-00174	Label – Warning.....	1
14	00-916577	Bracket – Mounting (GE Controller).....	1
15	00-916390-00001	Drive – Variable Frequency (230 V.).....	1
16	00-916390-00002	Drive – Variable Frequency (460 V.).....	1
17	00-294677-00002	Clamp .....	2
18	SD-015-20	Self-Tapping Screw 10-32 x 3/8 Phil. Pan Hd., Type TT .....	2
19	00-916185-00001	Ferrite .....	1
	00-916141-00001	Panel Assy. – VF Drive (230 V., 3 Ph.) .....	1
	00-916141-00002	Panel Assy. – VF Drive (460 V., 3 Ph.) .....	1

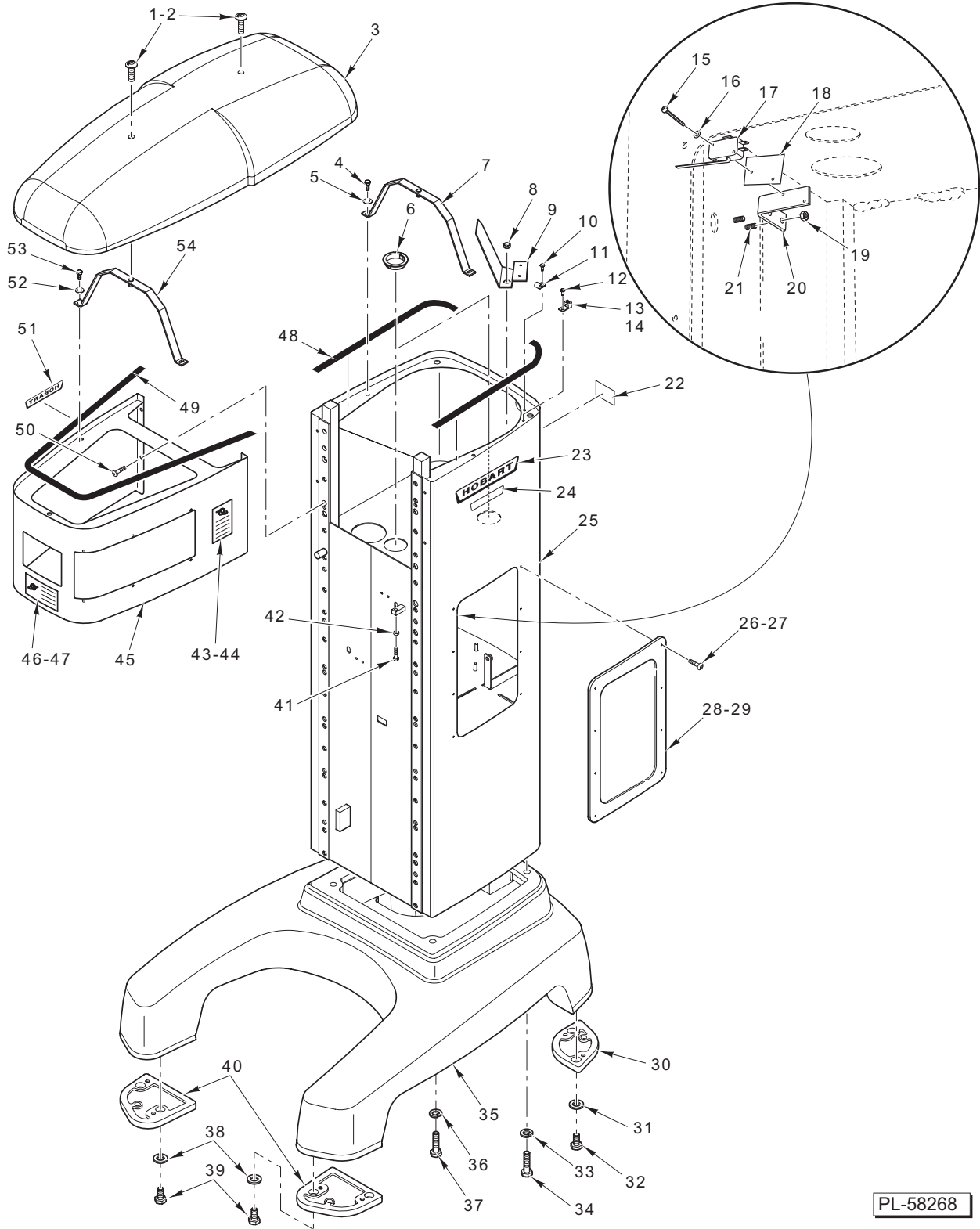


**ATTACHMENT HUB**



**ATTACHMENT HUB**

ILLUS.	PART NO.	NAME OF PART	AMT.
PL-56511			
1	00-114824-00001	Plug – Attachment.....	1
2	SC-079-04	Mach. Screw 8-32 x 3/4 Phil. Oval Hd. (SST).....	4
3	SC-128-85	Mach. Screw 8-32 x 3/4 Tx. Flat Hd. (SST) (ML-134341).....	4
4	00-873973-00002	Panel – Front.....	1
5	00-875813	Seal – Attachment Hub Cover.....	1
6	OR-001-09	O-Ring.....	1
7	SD-036-13	Self-Tapping Screw 1/4-20 x 1 1/4 Hex Washer Hd.....	4
8	WL-003-38	Lockwasher 1/4 Helical.....	4
9	00-874290-00005	Hub – Attachment.....	1
10	00-508462	Sealer – Permatex (11 oz.).....	1
11	00-108197-00001	Thumb Screw.....	1
12	BN-002-06	Bearing – Needle.....	2
13	BB-013-03	Ball Bearing.....	1
14	00-061920-00001	Washer – Thrust (0.076 Thk.).....	AR
15	00-061920-00002	Washer – Thrust (0.079 Thk.).....	AR
16	00-061920-00003	Washer – Thrust (0.082 Thk.).....	AR
17	00-061920-00004	Washer – Thrust (0.085 Thk.).....	AR
18	00-061920-00005	Washer – Thrust (0.088 Thk.).....	AR
19	00-061920-00006	Washer – Thrust (0.091 Thk.).....	AR
20	00-061920-00007	Washer – Thrust (0.094 Thk.).....	AR
21	00-061920-00008	Washer – Thrust (0.097 Thk.).....	AR
22	00-061920-00009	Washer – Thrust (0.100 Thk.).....	AR
23	00-061920-00010	Washer – Thrust (0.103 Thk.).....	AR
24	00-061920-00011	Washer – Thrust (0.106 Thk.).....	AR
25	00-874277	Pinion – Bevel (24T).....	1
26	WS-021-21	Washer.....	1
27	SC-041-42	Cap Screw 1/2-20 x 1 Hex Hd.....	1

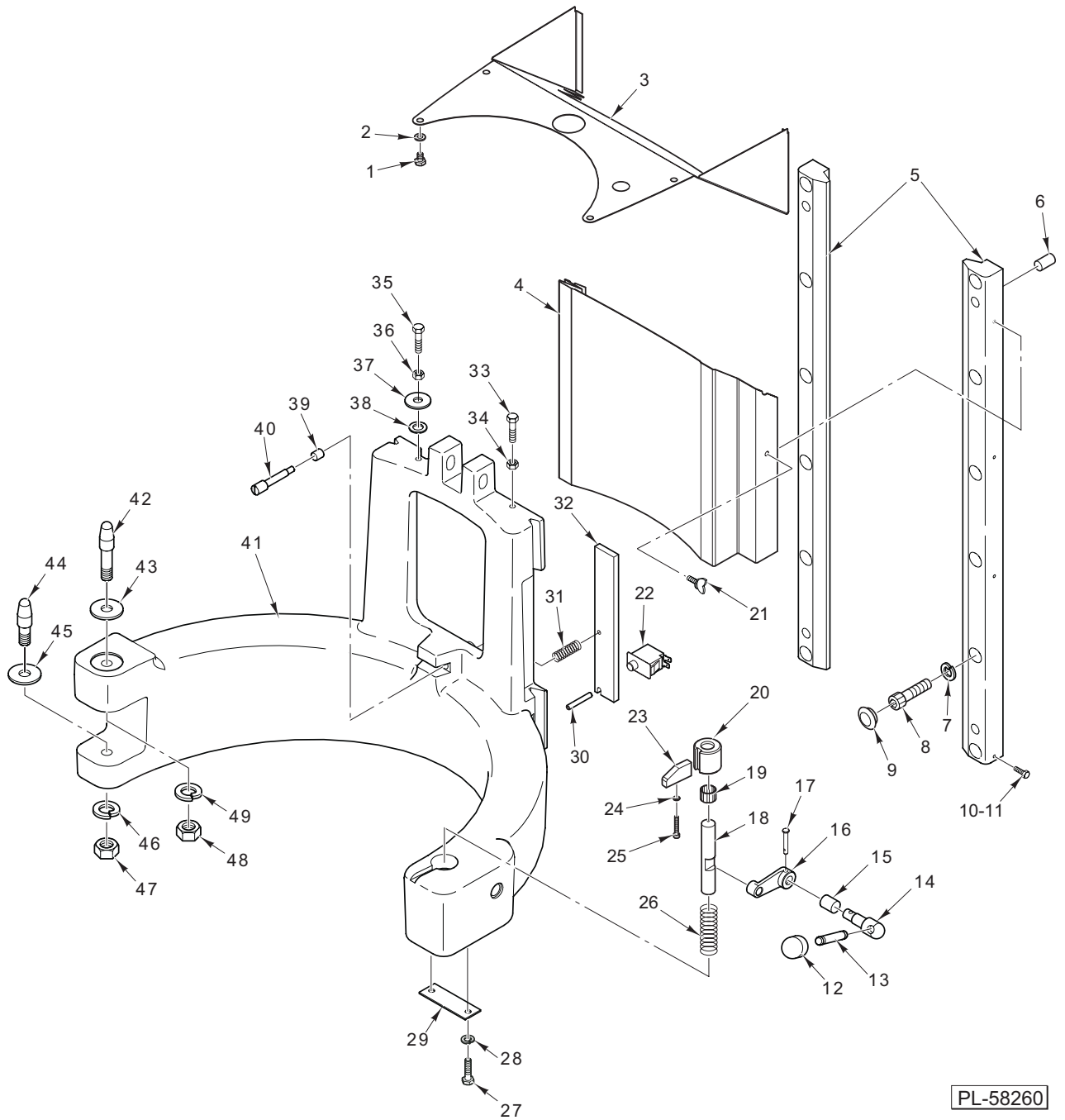


PL-58268

**BASE AND PEDESTAL**

**BASE AND PEDESTAL**

ILLUS.	PART NO.	NAME OF PART	AMT.
PL-58268			
1	SC-120-29	Mach. Screw 1/4-20 x 1 Phil. Oval Hd.....	2
2	SC-128-63	Mach. Screw 1/4-20 x 2 Tx. Flat Hd. (SST) (ML-134341) .....	2
3	00-873882	Cover – Top.....	1
4	SC-036-06	Cap Screw 1/4-20 x 1 Hex Hd.....	2
5	WS-003-43	Washer.....	2
6	FE-026-28	Bushing – Electric Snap.....	2
7	00-874222	Rear Strap Assy. – Rear .....	1
8	FE-021-13	Bushing – Electric Split .....	1
9	00-874473	Shield – Wire .....	1
10	SD-029-02	Self-Tapping Screw 10-24 x 1/2 Slotted Pan Hd., Type F .....	1
11	00-078752-00003	Clamp – Cable .....	1
12	SD-029-02	Self-Tapping Screw 10-24 x 1/2 Slotted Pan Hd., Type F .....	1
13	00-118544-00001	Lug – Solderless (ML-134317, ML-134318, & ML-134341).....	1
14	00-118544-00002	Lug – Solderless (ML-134342) .....	1
15	SC-060-40	Mach. Screw 4-40 x 5/8 Slotted Rd. Hd. ....	4
16	WL-003-03	Lockwasher #4 Helical.....	4
17	00-087711-00248	Switch – Bowl Height.....	2
18	00-439892	Insulator – Switch .....	2
19	NS-09-30	Nut 10-32 Hex .....	4
20	00-874109	Bracket – Bowl Travel Switch .....	2
21	00-113631-00040	Stud – Self-Clinching .....	4
22	00-438131-061-1	Label – Warning (California) .....	1
23	00-874401	Logo – Hobart .....	1
24	00-874467	Label – Legacy .....	1
25	00-873894-00005	Pedestal Assy.....	1
26	SD-009-41	Self-Tapping Screw 8-32 x 3/8 Slotted Pan Hd., Type F (SST).....	8
27	SC-128-66	Mach. Screw 8-32 x 1/2 Tx. Button Hd. (SST) (ML-134341).....	8
28	00-874238-00001	Cover – Side (Incls. Item 29) .....	1
29	00-875815	Seal – Side Panel .....	2
30	00-874585	Foot – Rear.....	2
31	WS-006-36	Washer.....	4
32	SC-110-03	Cap Screw 3/8-16 x 3/4 Hex Socket Hd.....	4
33	WL-004-11	Lockwasher 1/2 Helical.....	2
34	SC-062-83	Cap Screw 1/2-13 x 1 1/2 Hex Hd.....	2
35	00-873950-002-1	Base.....	1
36	WL-004-11	Lockwasher 1/2 Helical.....	6
37	SC-128-47	Cap Screw 1/2-13 x 3 Hex Hd.....	6
38	WS-006-36	Washer.....	4
39	SC-110-03	Cap Screw 3/8-16 x 3/4 Hex Socket Hd.....	4
40	00-874152	Foot – Front .....	2
41	SC-041-13	Cap Screw 5/16-18 x 1 Hex Hd. (SST) .....	1
42	NS-013-14	Nut 5/16-18 Hex .....	1
43	00-438131-00001	Plate – Caution .....	1
44	RS-003-04	Rivet.....	1
45	00-916196	Wrapper Assy. (Transmission) .....	1
46	00-438131-00002	Plate – Warning .....	1
47	RS-003-04	Rivet.....	1
48	00-874512-00001	Seal – Top Cover (Rear).....	2
49	00-874512-00002	Seal – Top Cover .....	1
50	SD-039-06	Self-Tapping Screw 1/4-20 x 3/4 Hex Washer Hd., Type F .....	4
51	00-118365	Decal – Hobart.....	1
52	WS-003-43	Washer.....	2
53	SC-036-06	Cap Screw 1/4-20 x 1 Hex Hd.....	2
54	00-874223	Strap Assy. – Front.....	1
	00-874604	Kit – Rubber Foot.....	1

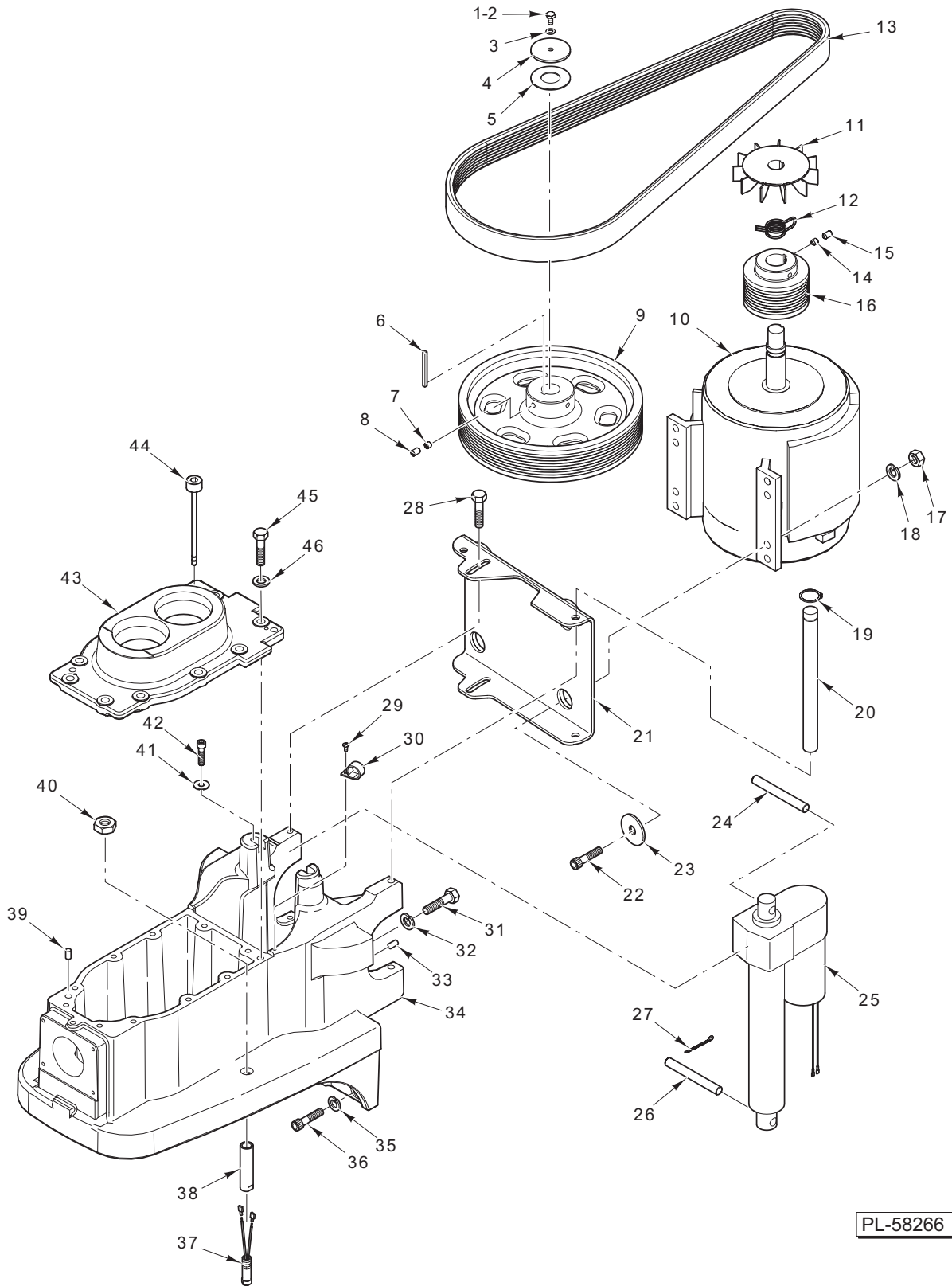


PL-58260

**BOWL SUPPORT**

**BOWL SUPPORT**

ILLUS.	PART NO.	NAME OF PART	AMT.
	PL-58260		
1	SC-062-20	Cap Screw 1/4-20 x 3/8 Hex Hd.....	4
2	WL-003-38	Lockwasher 1/4 Helical.....	4
3	00-916378	Cover – Upper Apron.....	1
4	00-916379	Apron – Lower.....	1
5	00-873885-00002	Slideway.....	2
6	00-011800-00143	Dowel.....	2
7	WL-004-02	Lockwasher 3/8 Helical.....	12
8	SC-092-62	Cap Screw 3/8-16 x 1 1/2 Hex Soc. Hd.....	12
9	PB-004-90	Cap.....	12
10	SC-128-48	Mach. Screw 10-24 x 1/4 Hex Hd.....	6
11	SC-128-69	Mach. Screw 10-24 x 3/8 Tx. Button Hd. (ML-134341).....	8
12	00-875356	Handle – Lift Lever.....	1
13	00-874197	Shaft – Bowl Pin Handle.....	1
14	00-874220	Handle – Bowl Pin.....	1
15	00-874138	Bushing – Bowl Pin Cam.....	1
16	00-874218	Clevis – Bowl Lock.....	1
17	00-874338	Detent – Clevis Pin.....	1
18	00-874219	Pin – Bowl (RH).....	1
19	00-874499	Bushing – Bowl Lock Pin.....	2
20	00-874506	Button – Rest Bowl.....	1
21	00-070641-00009	Thumb Screw (All Except ML-134341).....	2
22	00-087711-00338	Switch – Panel Front.....	1
23	00-874113	Ramp – Wear.....	1
24	WL-003-12	Washer.....	1
25	SC-040-92	Cap Screw 8-32 x 1 Hex Soc. Hd.....	1
26	00-874198	Spring – Bowl Pin.....	1
27	SC-036-14	Cap Screw 1/4-20 x 1/2 Hex Hd.....	2
28	WL-003-38	Lockwasher 1/4 Helical.....	2
29	00-874199	Strap – Spring Retaining.....	1
30	RP-005-12	Roll Pin 0.187 x 1.250 Lg.....	1
31	00-874496	Spring – Pushplate.....	1
32	00-874464	Plate – Push.....	1
33	SC-041-13	Cap Screw 5/16-18 x 1 Hex Hd. (SST).....	1
34	NS-013-14	Nut 5/16-18 Hex.....	1
35	SC-041-13	Cap Screw 5/16-18 x 1 Hex Hd. (SST).....	1
36	NS-013-14	Nut 5/16-18 Hex.....	1
37	WS-005-33	Washer (SST).....	1
38	WS-006-36	Washer.....	3
39	00-874492	Bushing – Bowl-In.....	1
40	00-874458	Plunger – Bowl-In.....	1
41	00-873844-00003	Yoke.....	1
42	00-873845	Pin – Bowl.....	1
43	00-874084	Bushing – Bowl Support.....	1
44	00-873846	Pin – Bowl.....	1
45	00-874084	Bushing – Bowl Support.....	1
46	WL-004-12	Lockwasher 1/2 Helical.....	1
47	NS-013-30	Nut 1/2-13 Hex.....	1
48	NS-013-30	Nut 1/2-13 Hex.....	1
49	WL-004-12	Lockwasher 1/2 Helical.....	1
	00-874139	Bowl Lock Handle Assy. (Incls. Items 12, 13, & 14).....	1
	00-874139-00002	Bowl Lock Handle Assy. (Welded) (ML-134341).....	1

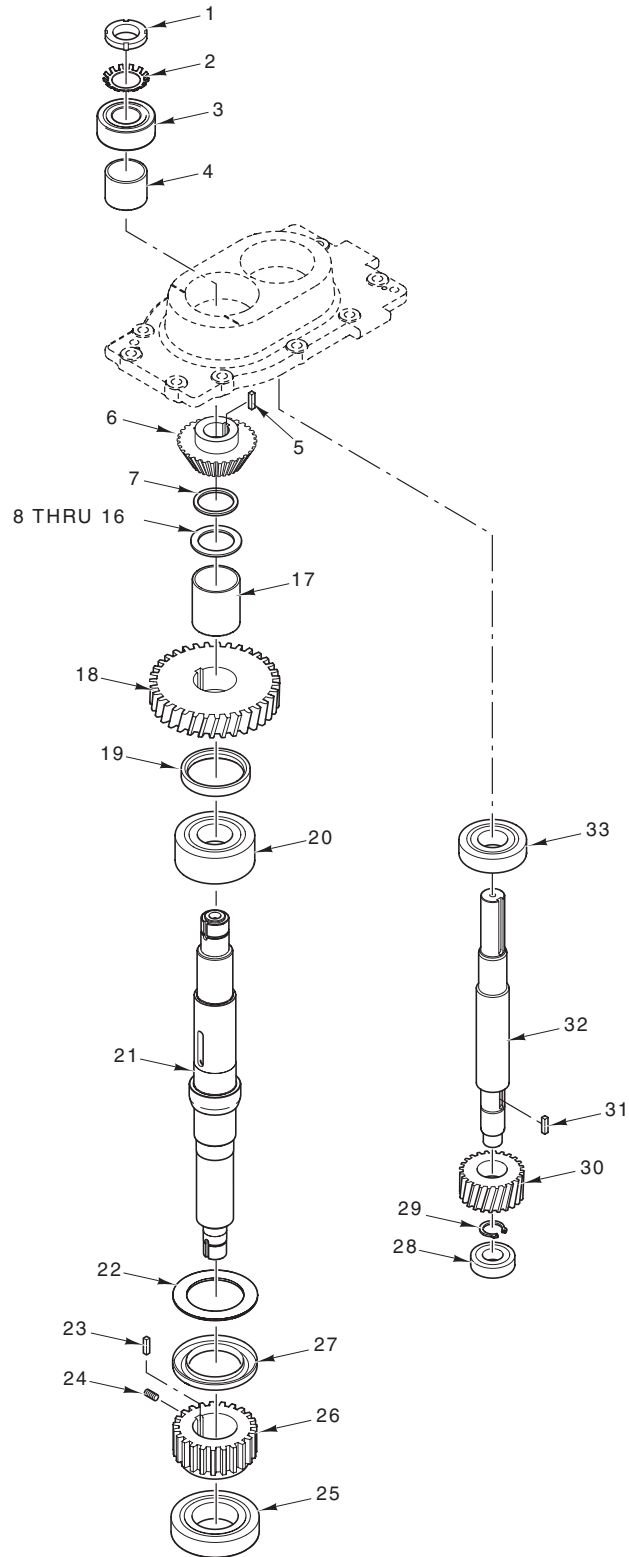


PL-58266

**TRANSMISSION CASE AND MOTOR**

**TRANSMISSION CASE AND MOTOR**

ILLUS. PL-58266	PART NO.	NAME OF PART	AMT.
1	SC-036-14	Cap Screw 1/4-20 x 1/2 Hex Hd.....	1
2	SC-121-72	Mach. Screw 1/4-20 x 1/2 Tx. Button Hd. (ML-134341).....	1
3	WL-003-38	Lockwasher 1/4 Helical.....	1
4	00-874345-00003	Washer – Special.....	1
5	00-874345-00004	Washer – Special.....	1
6	00-012430-00177	Key 1/4 x 1/4 x 2 1/2 .....	1
7	SC-047-31	Set Screw 5/16-18 x 5/16 Hex Hdls., Cup Pt.....	2
8	SC-047-34	Set Screw 5/16-18 x 1/2 Hex Hdls., Cup Pt.....	2
9	00-874000	Sheave – Driven .....	1
10	00-916209-00003	Motor.....	1
11	00-916530	Fan – Cooling .....	1
12	00-916531	Clamp .....	1
13	00-873921-00002	Belt.....	1
14	SC-047-31	Set Screw 5/16-18 x 5/16 Hex Hdls., Cup Pt.....	2
15	SC-047-34	Set Screw 5/16-18 x 1/2 Hex Hdls., Cup Pt.....	2
16	00-873999	Sheave – Drive .....	1
17	NS-013-22	Nut 3/8-16 Hex .....	4
18	WL-004-06	Lockwasher 3/8 Helical.....	4
19	RR-004-19	Retaining Ring .....	2
20	00-874241	Pin – Pivot Motor Bracket .....	1
21	00-916331	Plate – Mounting.....	1
22	SC-040-23	Cap Screw 3/8-16 x 1 1/4 Hex Soc. Hd.....	4
23	WS-006-36	Washer.....	4
24	00-874315	Pin – Actuator (Upper) .....	1
25	00-874057	Actuator (Bowl Lift) .....	1
26	00-874117	Pin – Clevis.....	1
27	PC-003-50	Cotter Pin 7/64 x 1 Lg.....	1
28	SC-123-50	Cap Screw 3/8-16 x 1 Hex Washer Hd.....	2
29	SC-018-62	Mach. Screw 10-24 x 3/8 .....	1
30	00-294677-00003	Clamp .....	1
31	SC-062-67	Cap Screw 1/2-13 x 2 1/4 Hex Hd.....	2
32	WL-004-11	Lockwasher 1/2 Helical.....	2
33	00-011800-00221	Dowel.....	2
34	00-873996-00003	Case – Transmission .....	1
35	WL-004-11	Lockwasher 1/2 Helical.....	2
36	SC-040-36	Cap Screw 1/2-13 x 1 3/4 Soc. Hex Hd. ....	2
37	00-874958-00001	Switch – Reed & Extension .....	1
38	00-874128	Extension – Bowl Guard Switch (Bowl Guard) .....	1
39	00-011800-00224	Dowel.....	2
40	NS-017-46	Nut – Jam 3/4-10 Hex.....	1
41	WS-006-36	Washer.....	2
42	SC-040-16	Cap Screw 3/16-18 x 1 Hex Soc. Hd.....	2
43	00-873916-00002	Cover – Transmission .....	1
44	00-874131	Dipstick .....	1
45	SC-062-48	Cap Screw 3/8-16 x 1 1/8 Hex Hd. ....	10
46	WL-004-04	Lockwasher 3/8 Helical.....	10
	00-916574	Harness – Actuator .....	1
	00-916603-00001	Harness – Wiring .....	1
	00-916406-00001	Harness – Main Power .....	1



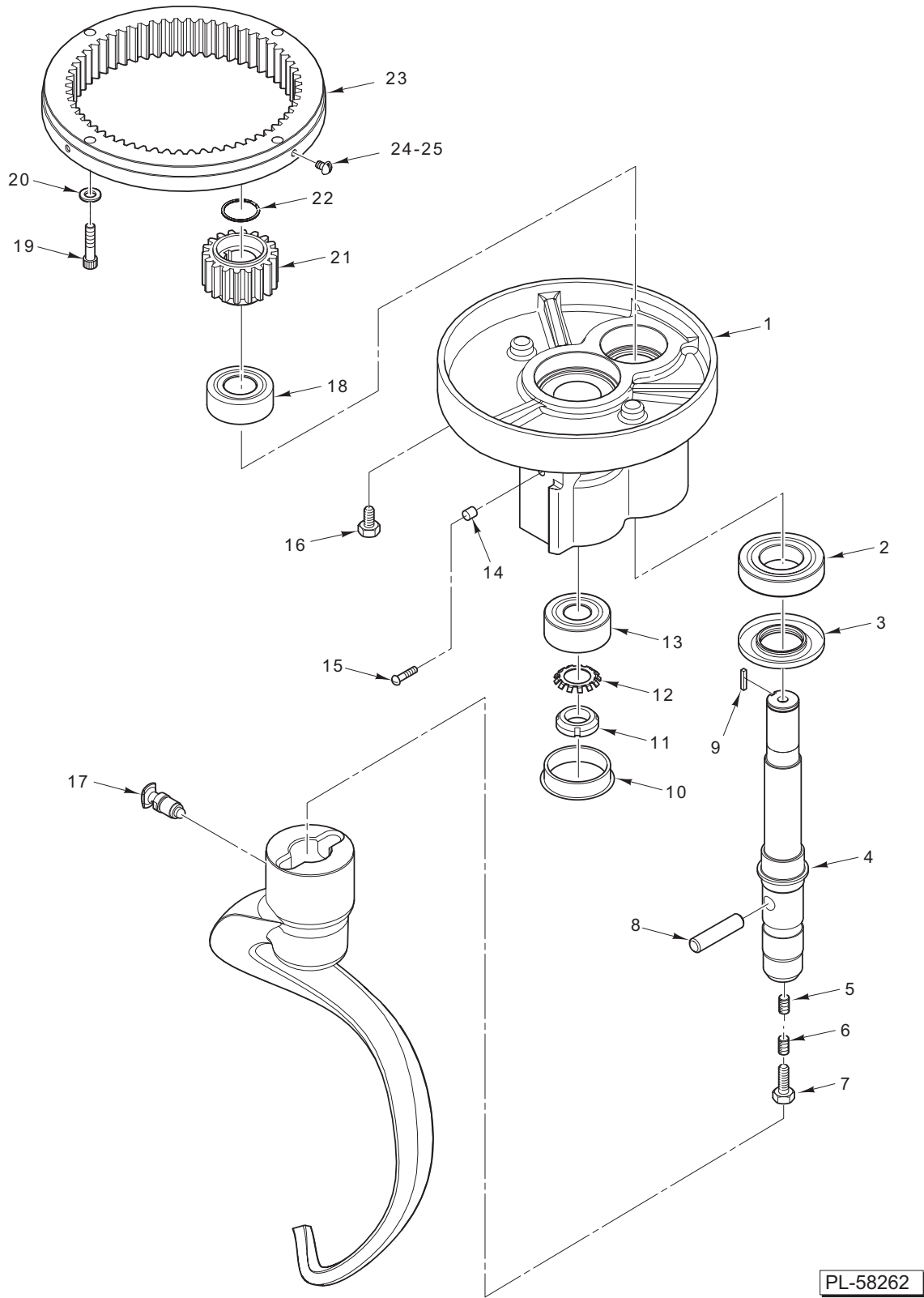
PL-58265

**TRANSMISSION**



**TRANSMISSION**

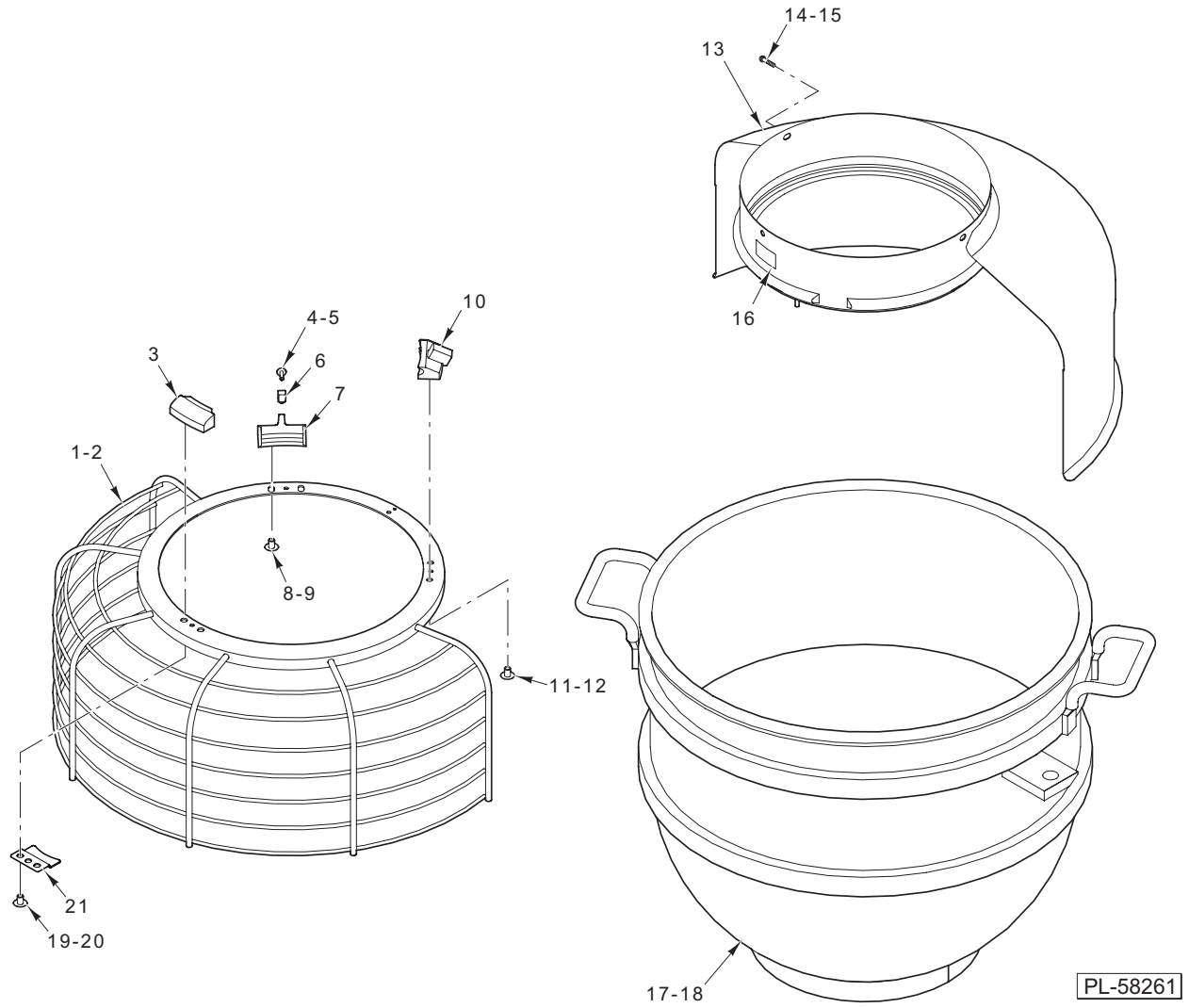
ILLUS.	PART NO.	NAME OF PART	AMT.
PL-58265			
1	NS-034-07	Lock Nut.....	1
2	WL-017-07	Lockwasher – Bearing 1.500 x 1.953 .....	1
3	BB-021-35	Ball Bearing (SKF-5206 A-2RS/C3/HT51).....	1
4	00-874293	Spacer (1.505 I.D.) .....	1
5	00-875419-00071	Key <sup>5</sup> / <sub>16</sub> X <sup>5</sup> / <sub>16</sub> X 1 <sup>5</sup> / <sub>8</sub> .....	1
6	00-874282	Gear – Bevel (30T).....	1
7	00-874384	Spacer – Gear .....	1
8	00-874283-00001	Shim – Gear (0.066 Thk.) .....	AR
9	00-874283-00002	Shim – Gear (0.072 Thk.) .....	AR
10	00-874283-00003	Shim – Gear (0.078 Thk.) .....	AR
11	00-874283-00004	Shim – Gear (0.084 Thk.) .....	AR
12	00-874283-00005	Shim – Gear (0.090 Thk.) .....	AR
13	00-874283-00006	Shim – Gear (0.096 Thk.) .....	AR
14	00-874283-00007	Shim – Gear (0.102 Thk.) .....	AR
15	00-874283-00008	Shim – Gear (0.108 Thk.) .....	AR
16	00-874283-00009	Shim – Gear (0.116 Thk.).....	AR
17	00-874294	Spacer (1.755 I.D.) .....	1
18	00-873914	Gear – Drive .....	1
19	00-873922	Spacer – Planetary Shaft.....	1
20	BB-009-30	Ball Bearing .....	1
21	00-875915	Shaft – Planetary .....	1
22	00-875909	Spacer .....	1
23	00-875419-00075	Key <sup>5</sup> / <sub>16</sub> X <sup>5</sup> / <sub>16</sub> X 1 <sup>1</sup> / <sub>16</sub> .....	1
24	SC-047-12	Set Screw <sup>1</sup> / <sub>4</sub> -20 x <sup>3</sup> / <sub>8</sub> Soc. Hdls., Knife Cup Pt. ....	1
25	BB-007-01	Ball Bearing .....	1
26	00-873912	Gear – Sun .....	1
27	00-873939	Seal.....	1
28	BB-007-14	Ball Bearing .....	1
29	RR-009-07	Retaining Ring .....	1
30	00-873915	Gear – Pinion.....	1
31	00-012430-00048	Key <sup>3</sup> / <sub>16</sub> X <sup>3</sup> / <sub>16</sub> X <sup>3</sup> / <sub>4</sub> .....	1
32	00-873913	Shaft – Input .....	1
33	BB-006-36	Ball Bearing .....	1



**PLANETARY**

**PLANETARY**

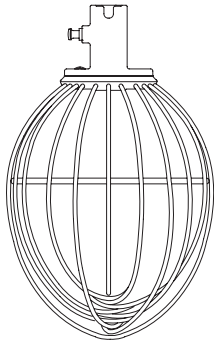
ILLUS.	PART NO.	NAME OF PART	AMT.
PL-58262			
1	00-873995-00002	Planetary.....	1
2	BB-007-01	Ball Bearing .....	1
3	00-292288	Seal.....	1
4	00-873923	Shaft – Agitator .....	1
5	00-007744	Set Screw – Hdls., Cone Pt. ....	1
6	SC-047-41	Set Screw <sup>3</sup> / <sub>8</sub> -16 x <sup>3</sup> / <sub>8</sub> Soc. Hdls., Cup Pt. ....	1
7	00-064723	Plug – Agitator Shaft .....	1
8	00-873953	Pin – Agitator Shaft.....	1
9	00-012430-00154	Key <sup>1</sup> / <sub>4</sub> x <sup>1</sup> / <sub>4</sub> 1 <sup>3</sup> / <sub>8</sub> .....	1
10	00-874291	Plug – Planetary (Plastic) .....	1
11	NS-034-06	Lock Nut.....	1
12	WL-012-06	Lockwasher – Bearing 0.989 x 1.719 .....	1
13	BB-021-52	Ball Bearing .....	1
14	00-874181	Spacer – Scraper Arm .....	1
15	SC-021-54	Mach. Screw <sup>5</sup> / <sub>16</sub> -18 x <sup>7</sup> / <sub>8</sub> Slotted Rd. Hd. (SST) .....	1
16	SC-041-26	Cap Screw <sup>3</sup> / <sub>8</sub> -16 x <sup>1</sup> / <sub>2</sub> Hex Hd. (SST) .....	2
17	00-874145	Plunger Assy. ....	1
18	BB-021-35	Ball Bearing .....	1
19	SC-040-23	Cap Screw <sup>3</sup> / <sub>8</sub> -16 x 1 <sup>1</sup> / <sub>4</sub> Hex Soc. Hd.....	4
20	WL-019-92	Lockwasher <sup>3</sup> / <sub>8</sub> Helical.....	4
21	00-024270	Pinion – Internal (18T) .....	1
22	RR-005-08	Retaining Ring .....	1
23	00-437692	Gear – Internal.....	1
24	SC-021-37	Mach. Screw <sup>1</sup> / <sub>4</sub> -20 x <sup>3</sup> / <sub>8</sub> Slotted Rd. Hd. (SST).....	3
25	SC-128-80	Mach. Screw <sup>1</sup> / <sub>4</sub> -20 x <sup>3</sup> / <sub>8</sub> Tx. Button Hd. (SST) (ML-134341) .....	3



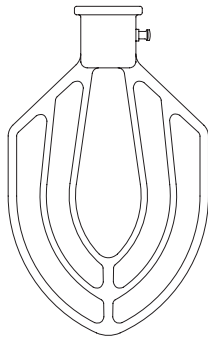
**BOWL GUARD**

**BOWL GUARD**

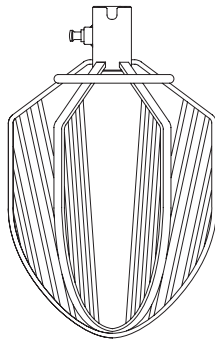
ILLUS.	PART NO.	NAME OF PART	AMT.
PL-58261			
1	00-874124	Wire Cage .....	1
2	00-874124-00002	Wire Cage (ML-134341) .....	1
3	00-874126	Shoe – Front .....	1
4	SC-123-07	Mach. Screw 8-32 x 1/2 Slotted Truss Hd. ....	1
5	SC-128-66	Mach. Screw 8-32 x 1/2 Tx. Button Hd. (ML-134341) .....	1
6	00-437720	Key – Shoe .....	1
7	00-437433-00003	Shoe – Adjustable (ML-134341) .....	1
8	SC-122-45	Mach. Screw 1/4-20 x 3/8 Slotted Truss Hd. ....	2
9	SC-128-65	Mach. Screw 1/4-20 x 1/2 Tx. Button Hd. (SST) (ML-134341) .....	2
10	00-874127	Shoe – Fixed .....	1
11	SC-122-45	Mach. Screw 1/4-20 x 3/8 Slotted Truss Hd. ....	2
12	SC-128-80	Mach. Screw 1/4-20 x 3/8 Tx. Button Hd. (SST) (ML-134341) .....	2
13	00-874123	Guard – Splash & Drip .....	1
14	SC-021-37	Mach. Screw 1/4-20 x 3/8 Slotted Rd. Hd. (SST) .....	3
15	SC-128-80	Mach. Screw 1/4-20 x 3/8 Tx. Button Hd. (SST) (ML-134341) .....	3
16	00-875726	Label – Cage .....	1
17	00-875603	Bowl Assy. (60 Quart) (Packaged) .....	1
18	00-875604	Bowl Assy. (40 Quart) (Packaged) (Not Shown) .....	1
19	SC-122-45	Mach. Screw 1/4-20 x 3/8 Slotted Truss Hd. ....	2
20	SC-128-80	Mach. Screw 1/4-20 x 3/8 Tx. Button Hd. (SST) (ML-134341) .....	2
21	00-874168	Stop – Cage .....	1
	00-512987	Adhesive (ML-134341) .....	AR
	00-874125	Wire Cage Assy. (Incls. Items 1, 3, 4, 6, 8, 10, 11, 18, & 21) .....	1
	00-874125-00002	Wire Cage Assy. (Incls. Items 2, 3, 5, 6, 7, 9, 10, 12, 18, 19, & Adhesive) (ML-134341) .....	1



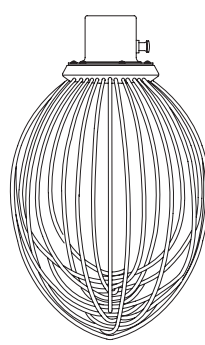
1



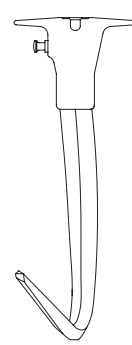
2



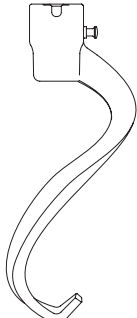
3



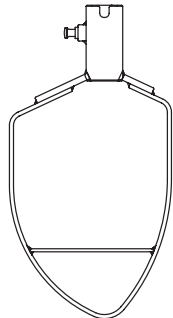
4



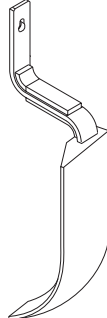
5



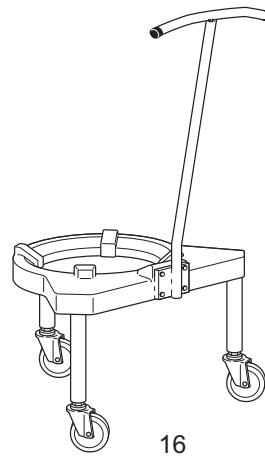
6



7



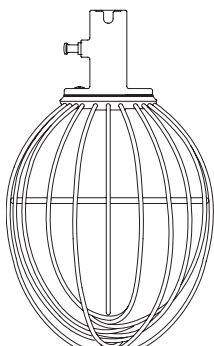
8-9



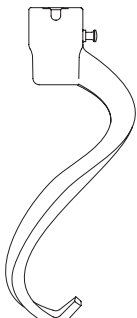
16

**60-QUART AGITATORS**

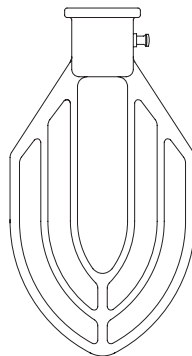
**BOWL TRUCK**



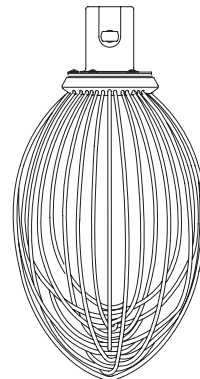
10



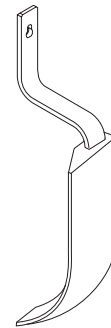
11



12



13



14-15

**40-QUART AGITATORS**

PL-56515

**AGITATORS AND ACCESSORIES**

**AGITATORS AND ACCESSORIES**

ILLUS. PL-56515	PART NO.	NAME OF PART	AMT.
1	00-874271	"I" Wire Whip (60 Quart) (Packaged).....	1
2	00-874172	"B" Flat Beater (60 Quart) (Packaged).....	1
3	00-874278	"C" Six Wing Whip (60 Quart) (Packaged).....	1
4	00-874190	"D" Wire Whip (60 Quart) (Packaged).....	1
5	00-874284	"E" Dough Arm (60 Quart) (Packaged).....	1
6	00-874285	"ED" Dough Arm (60 Quart) (Packaged).....	1
7	00-874286	"P" Pastry Knife (60 Quart) (Packaged).....	1
8	00-874267	Bowl Scraper (60 Quart) (Packaged) (Incls. Item 9).....	1
9	00-435637-00001	Scraper – Bowl.....	1
10	00-874250	"I" Wire Whip (40 Quart) (Packaged).....	1
11	00-874292	"ED" Dough Arm (40 Quart) (Packaged).....	1
12	00-874248	"B" Flat Beater (40 Quart) (Packaged).....	1
13	00-874249	"D" Wire Whip (40 Quart) (Packaged).....	1
14	00-874268	Bowl Scraper (40 Quart) (Packaged) (Incls. Item 15).....	1
15	00-435637-00004	Scraper – Bowl.....	1
16	00-874203	Bowl Truck (Packaged).....	1
	00-438104-00004	Extension – Bowl (SST) (Packaged).....	1
	00-438082	Splash Cover (60 Quart) (Packaged).....	1
	00-438081	Splash Cover (40 Quart) (Packaged).....	1

