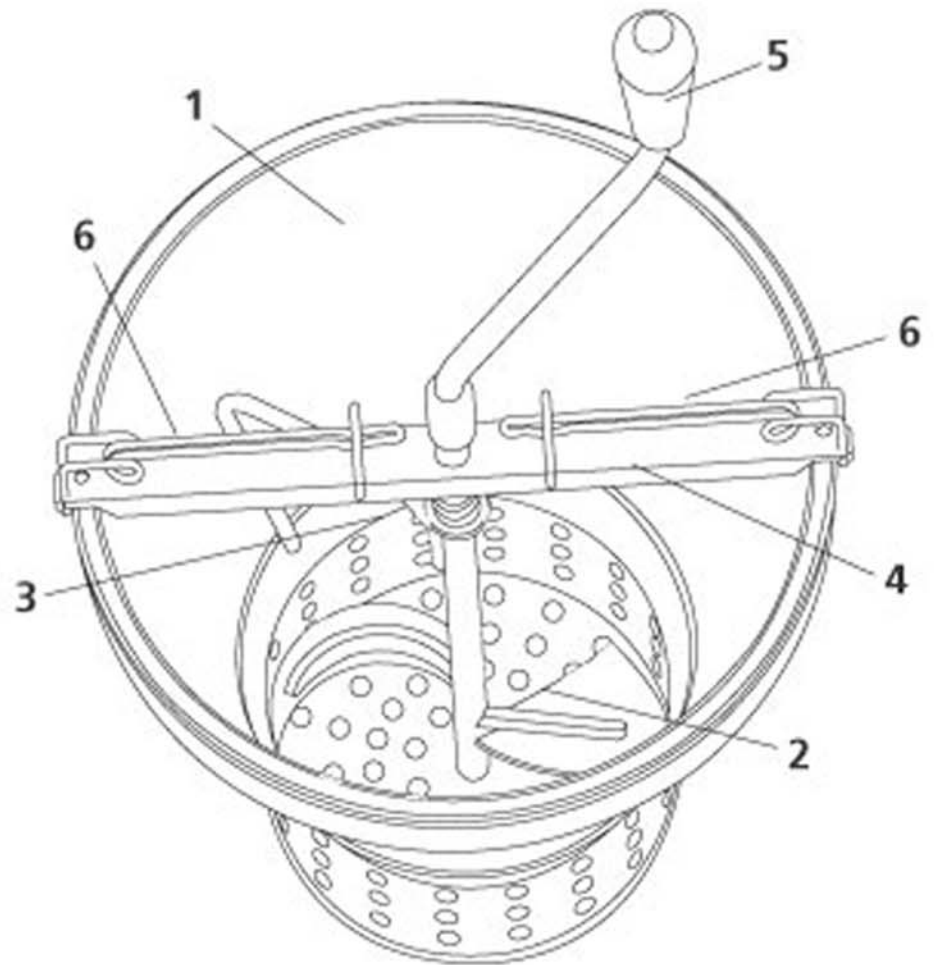


Model No. U-728 Food Mill



Parts List

- 1 [9-U728-P10001](#) Cone Hopper
- 2 [9-U728-P10002](#) Shaft and Blades
- 3 [9-U728-P10003](#) Central Spiral Spring
- 4 [9-U728-P10005](#) Cross Bar
- 5 [9-U728-P10006](#) Handle
- 6 [9-U728-M5003](#) Spring